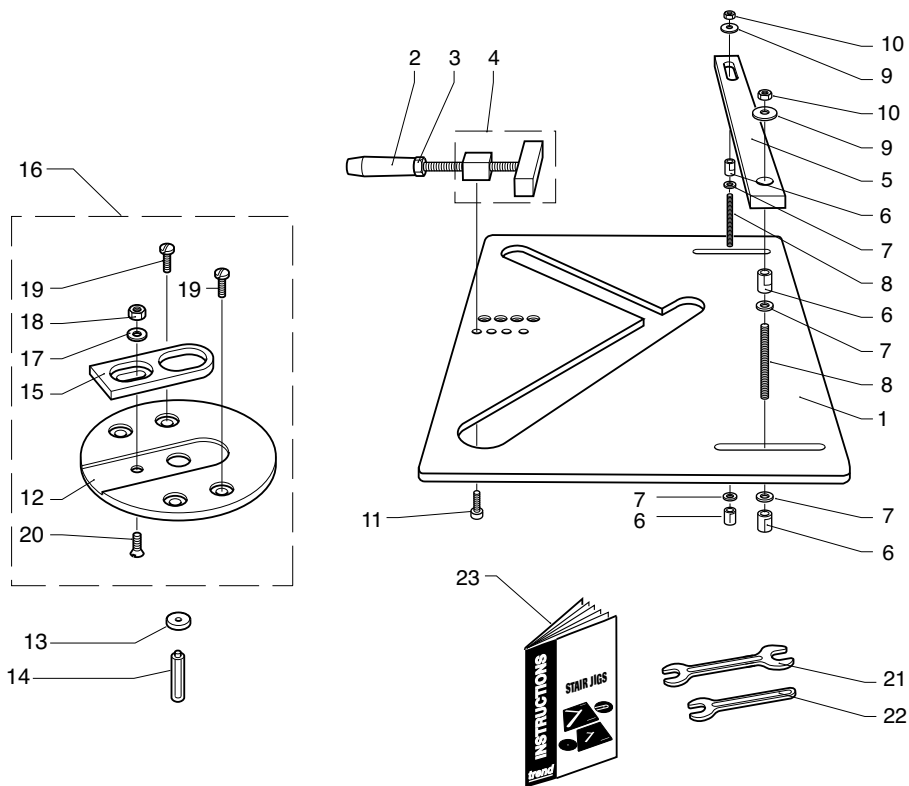


STAIR/A - SPARE PARTS DIAGRAM

V4.0 01/2006

Please use only Trend original spare parts.



STAIR/A - SPARE PARTS LIST			V4.0 01/2006
No.	Qty.	Desc.	Ref.
1	1	Main Board for STAIR/A	WP-SJA/01
2	1	Handle for Clamp Plastic M12	WP-SJ/02
3	1	Nut Hex M12	WP-NUT/12
4	1	Clamp Assembly	WP-SJ/04
5	1	Aluminium Clamp Bar	WP-SJ/05
6	4	Barrel Nut M8	WP-SJ/06
7	4	Washer 8.5mm x 15.8mm x 12.7mm	WP-WASH/15
8	2	Stud M8 x 75mm	WP-SJ/08
9	2	Washer 7.4mm x 24.6mm x 1.5mm	WP-WASH/17
10	2	Nut Hex M8	WP-NUT/08
11	1	Machine Screw Cheese M8 x 10mm Slot	WP-SCW/39
12	1	Sub-base STAIR/A	WP-SJA/12
13	1	Line-up Bush for STAIR/A	WP-SJA/13
14	1	Line-up Pin 1/2" for STAIR/A	WP-SJA/14
15	1	Sub-base Slider for STAIR/A	WP-SJA/15
16	0	Sub-base Complete with Slider	WP-SJA/16
17	1	Washer 6.6mm x 11.7mm x 1.5mm	WP-WASH/11
18	1	Hex Nut M6	WP-NUT/06
19	2	Machine Screw Pan M6 x 16mm Slot	WP-SCW/27
20	1	Machine Screw Csk M6 x 16mm Pozi	WP-SCW/26
21	1	Spanner 10mm/13mm A/F	SPAN/1013
22	1	Spanner 13mm A/F	SPAN/13
23	1	Manual	MANU/SJ