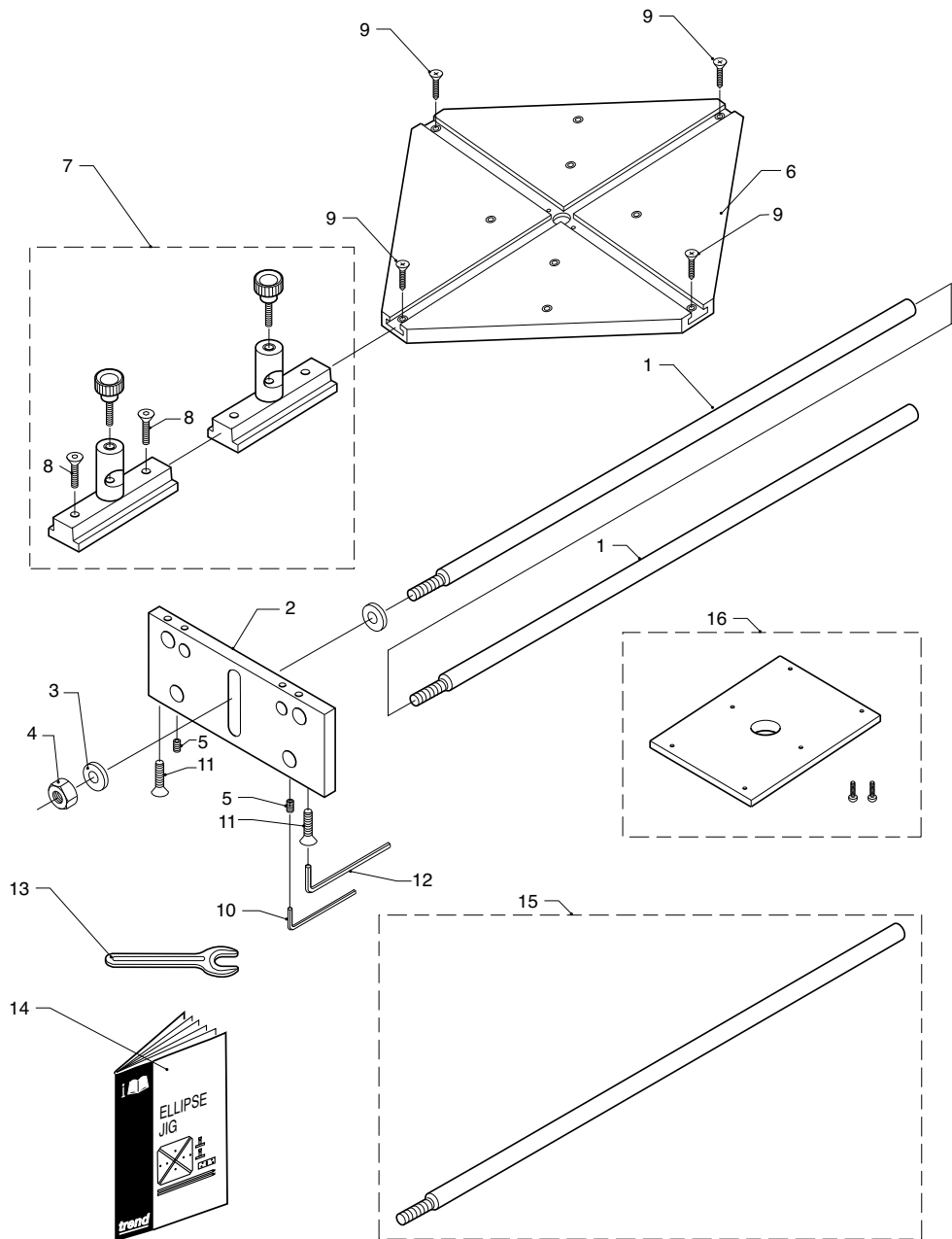


ELLIPSE JIG - SPARE PARTS DIAGRAM

v7.0 05/2012



Please use only Trend original spare parts.

ELLIPSE JIG - SPARE PARTS LIST			v7.0 05/2012
No.	Qty.	Desc.	Ref.
1	1	Trammel Bar 500mm x 13mm dia. (pair)	WP-EJ/01
2	1	Connector Plate	WP-EJ/02
3	2	Washer M8 Form A	WP-WASH/15
4	1	Nut Hex M8	WP-NUT/08
5	1	Grub Screw M6 x 5mm (pair)	WP-EJ/05
6	1	T-slotted Main Board	WP-EJ/06
7	1	Slider Set (pair)	WP-EJ/07
8	1	Set Bolt Csk M4 x 25mm Slot	WP-EJ/08
9	4	Screw Wood No.8 x 32mm Pozi	WP-SCW/107
10	1	Hex Key 3mm A/F	WP-AP/03
11	2	Machine Screw Csk M6 x 20mm Skt (pair)	WP-SCW/70
12	1	Hex Key 4mm A/F	WP-AP/04
13	1	Spanner 13mm OE	SPAN/13
14	1	Manual	MANU/LEJ
15	0	Extension Bar 500mm x 13mm dia.	ELLIPSEJ/1
16	0	Base Plate Adapter	GB/PLATE