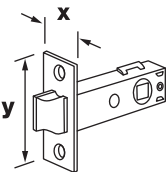
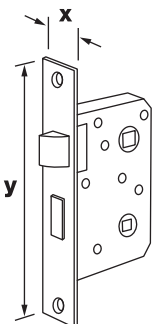
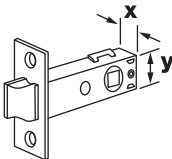
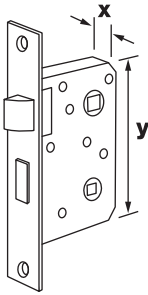


LOCK/JIG/C Look-up Chart

	Xmm x Ymm	X" x Y" *	Template
	25.4mm x 60mm	1" x 2 3/8"	22 (A)
	24mm x 57.5mm	1" x 2 1/4"	22 (B)
	26mm x 56.5mm	1" x 2 1/4"	23 (A)
	26mm x 57.5mm	1" x 2 1/4"	23 (B)

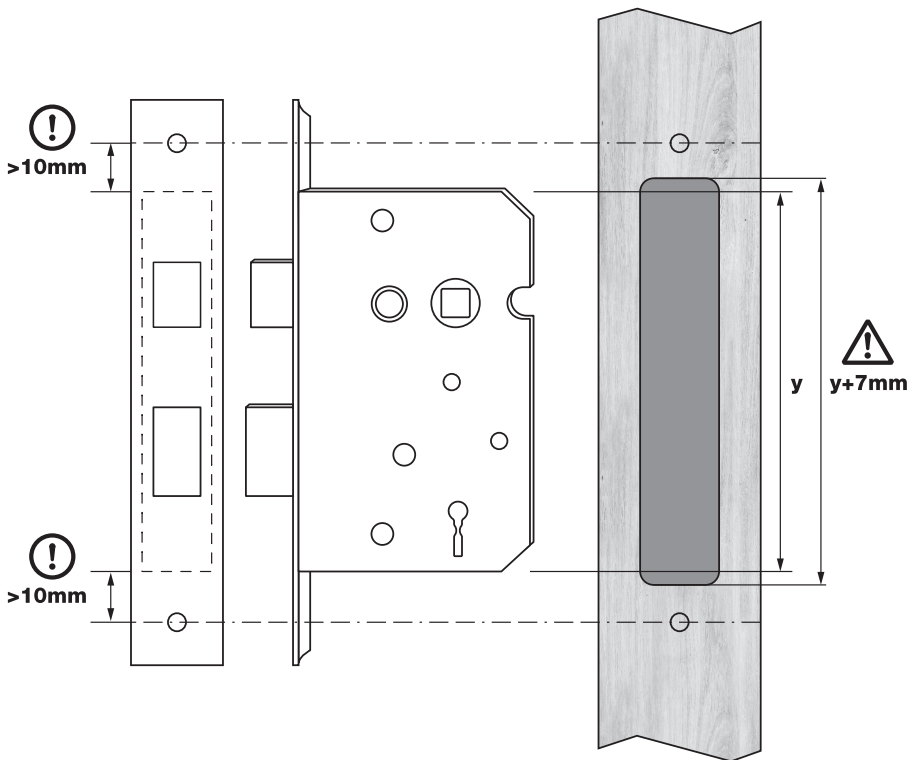
	Xmm x Ymm	X" x Y" *	Template
	22.2mm x 128.5mm	7/8" x 5"	20
	22.2mm x 155mm	7/8" x 6 1/8"	1
	22.5mm x 152.5mm	7/8" x 6"	2
	25.4mm x 121mm	1" x 4 3/4"	3
	26 x 134mm	1" x 5 1/4"	5
	25.4mm x 153mm	1" x 6"	7
	25.4mm x 165.5mm	1" x 6 1/2"	9
	25.4mm x 177mm	1" x 7"	10
	26mm x 139mm	1" x 5 1/2"	21
	26mm x 162mm	1" x 6 3/8"	12
	26mm x 110mm	N/A	WP-LOCK/T/16 **
	25mm x 125mm	N/A	WP-LOCK/T/24 **

	Xmm x Ymm	X" x Y" *	Template
	19mm x 22mm	N/A	J(A)
	22mm x 24mm	N/A	J(B)

	Xmm x Ymm	X" x Y" *	Template
	16mm x 72mm	5/8" x 2 7/8"	A
	16mm x 102mm	5/8" x 4"	F
	16mm x 109mm	5/8" x 4 1/4"	B
	19mm x 78mm	3/4" x 3 1/8"	C
	19mm x 88mm	5/8" x 3 1/2"	E
	19mm x 109mm	3/4" x 4 1/4"	D
	19mm x 115mm	3/4" x 4 1/2"	H
	19mm x 60mm	5/8" x 2 3/8"	WP-LOCK/T/K **

*Imperial sizes are approximate only

**Available separately



Other sizes of template available. Please see website: www.trend-uk.com



© Trend Tool Technology Ltd. 2024.
 ® All trademarks acknowledged E&OE

No part of this publication may be reproduced, stored or transmitted in any form without prior permission. Our policy of continuous improvement means that specifications may change without notice. Trend Tool Technology Ltd. cannot be held liable for any material rendered unusable, or for any part of consequential loss. E&OE.

Trend Tool Technology Ltd.
 Watford, WD24 7TR, England
Tel: 0044(0)1923 249911
technical@trend-uk.com
www.trend-uk.com

EU Importer:
Trend Tool Technology Ltd.
 Ground Floor, Two Dockland Central,
 Guild Street, North Dock, Dublin 1
 D01 K2C5, Ireland
technical@trend-eu.com
www.trend-eu.com



LEAF/L/LOCK V11