



# T50



***trend***<sup>®</sup>  
routing technology



Dear Customer

Thank you for purchasing this Trend product, we hope you enjoy many years of creative and productive use.

Please remember to return your guarantee card within 28 days of purchase.

## CONTENTS

<b>TECHNICAL DATA</b>	<b>1</b>
<b>SAFETY</b>	<b>2</b>
<b>ELECTRICAL SAFETY</b>	
– Power Supply	<b>3</b>
– Safety Instructions for Battery Charger	<b>4</b>
– Safety Instructions for Battery Packs	<b>4-6</b>
– Additional Safety Rules for Impact Driver	<b>6</b>
<b>MANUFACTURERS DECLARATION</b>	<b>7</b>
<b>ITEMS ENCLOSED</b>	<b>7</b>
<b>DESCRIPTION OF PARTS</b>	<b>8</b>
<b>ASSEMBLY &amp; ADJUSTMENT</b>	
– Installing/Removing Driver Bit	<b>9</b>
– Forward/Reverse Button	<b>9</b>
– Tightening and Loosening Screws	<b>9</b>
– Installing or Removing Battery Pack	<b>9</b>
– Normal Charging	<b>9-10</b>
<b>OPERATION</b>	
– Switch Operation	<b>11</b>
– Screwdriving Operation	<b>11</b>
– Tightening Torque	<b>11</b>
<b>ACCESSORIES</b>	<b>12</b>
<b>MAINTENANCE &amp; CARE</b>	<b>12</b>
<b>ENVIRONMENTAL PROTECTION</b>	<b>12</b>
<b>GUARANTEE</b>	<b>12</b>
<b>SPARE PARTS</b>	
– Spare Parts List	<b>13</b>
– Spare Parts Diagram	<b>14</b>

## TECHNICAL DATA

Voltage:	UK & Eire	12V
No load speed: (min.)		0-2,300 rpm
Impact rate:		0-3,000 ipm
Maximum torque:		160Nm
Tool holder:		1/4" (6.35mm) hex
Screw size:	Mechanical	M4-M8
	Standard	M5-M12
	High tension	M5-M10
Weight: (excl. battery)		1.04kg

### Battery

Type:	Ni-MH
Voltage:	12v
Capacity:	2.0Ah
Weight:	0.70kg

### Charger

Mains voltage:	230v
Consumption:	45W
Output:	12v --- 1.8A
Charging time:	60min
Weight:	1.58kg

The following symbols are used throughout this manual:



Denotes risk of personal injury, loss of life or damage to the tool in case of non-observance of the instructions in this manual.



Denotes risk of electric shock.

## INTENDED USE

The impact driver is intended to be used with 1/4" hex direct drive bits for drilling, screwdriving & tightening bolts in various materials.



If you require further safety advice, technical information or spare parts, please call our technical support department on 01923 224681 or visit [www.trend-uk.com](http://www.trend-uk.com)

### SAFETY



#### WARNING:

Observe the safety regulations in the instruction manual of the power tool to be used. Please read the following instructions carefully. Failure to do so could lead to serious injury. When using electric tools, basic safety precautions, including the following should always be followed to reduce the risk of fire, electric shock and personal injury. Also observe any applicable additional safety rules. Read the following safety instructions before attempting to operate this product.

#### PLEASE KEEP THESE INSTRUCTIONS IN A SAFE PLACE.

The attention of UK users is drawn to The Provision and Use of Work Equipment Regulations 1998, and any subsequent amendments.

Users should also read the HSE/HSC Safe Use of Woodworking Machinery Approved Code of Practice and Guidance Document and any amendments.

Users must be competent with woodworking equipment before using our products.

#### IMPORTANT NOTE:

**Residual Risk.** Although the safety instructions and operating manuals for our tools contain extensive instructions on safe working with power tools, every power tool involves a certain residual risk which cannot be completely excluded by safety mechanisms. Power tools must therefore always be operated with caution!

#### General

1. Disconnect power tool and attachment from power supply when not in use, before servicing, when making adjustments and when changing accessories such as cutters. Ensure switch is in "off" position. Always ensure cutter has stopped rotating.
2. Always mount the power tool, accessory or attachment in conformity with the instructions. Only use attachment and accessories specified in the power tool manual. The tool or attachment should not be modified or used for any application other than that for which it was designed. Do not force tool.
3. Keep children and visitors away. Do not let children or visitors touch the tool, accessory or attachment. Keep children and visitors away from work area. Make the workshop child proof with padlock and master switch.
4. Dress properly. Do not wear loose clothing or jewellery, they can be caught in moving parts. Rubber gloves and non-skid footwear is recommended when working outdoors. Wear protective hair covering to contain long hair.
5. Consider working environment. Do not use the product in the rain or in a damp environment. Keep work area well lit. Do not use power tools near gasoline or flammable liquids. Keep workshop at a comfortable temperature so your hands are not cold. Connect machines that are used in the open via a residual current device (RCD) with an actuation current of 30 mA maximum. Use only extension cables that are approved for outdoor use.
6. The accessory or attachment must be kept level and stable at all times.
7. Keep work area clean. Cluttered workshops and benches can cause injuries. Ensure there is sufficient room to work safely.
8. Secure idle tools. When not in use, tools should be stored in a dry and high or locked up place, out of reach of children.
9. For best control and safety use both hands on the power tool and attachment. Keep both hands away from cutting area. Always wait for the spindle and cutter to stop rotating before making any adjustments.
10. Maintain tools and cutters with care. Keep drill bits sharp and clean for better and safer performance. Do not use damaged drill bits. Follow instructions for lubricating and changing accessories. Keep handles dry, clean and free from oil and grease.
11. Maintain accessories. Do not use damaged accessories. Only use accessories recommended by the manufacturer.
12. Check damaged parts. Before operation inspect the attachment, the power tool, the cable, extension cable and the plug carefully for signs of damage. Check for alignment of moving parts, binding, breakage, mounting and any other conditions that may affect its operation. Have any damage repaired by an Authorised Service Agent before using the tool or accessory. Protect tools from impact and shock.
13. Do not use tool if switch does not turn it on or off. Have defective switches replaced by an Authorised Service Agent
14. Do not over reach. Keep proper footing and balance at all times. Do not use awkward or uncomfortable hand positions.
15. Don't abuse the cable. Never carry power tool or accessory by cord or pull it to disconnect from the socket. Keep cord from heat, oil and sharp edges. Always trail the power cord away from the work area.
16. Check all fixing and fastening nuts, bolts and screws on power tool, attachment and drilling tools before use to ensure they are tight and secure. Periodically check when machining over long periods.
17. Stay alert. Watch what you are doing. Use common sense. Do not operate tools when you are tired, under the influence of drugs or alcohol.
18. Personal Protective Equipment (PPE) for eye, ear and respiratory protection must be worn. All PPE must meet current UK and EU legislation.
19. Do not leave tools running unattended. Do not leave tool until it comes to a complete stop.
20. Always clamp workpiece being machined securely.
21. Vibration levels. Hand held power tools produce different vibration levels. You should always refer to the specifications and relevant Health & Safety Guide.

**ELECTRICAL SAFETY**



**Power Supply**

The charger has been designed for one voltage only. Always check that the power supply corresponds to the voltage on the rating plate. Machines marked for 230 volt can also be operated from a 220 volt supply.



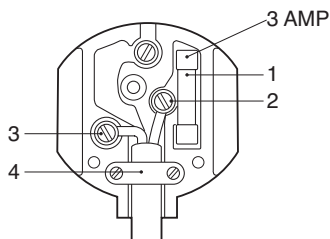
The charger is double insulated in accordance with EN 50144.

**Mains Plug Replacement (UK & Ireland only)**

Always check the condition of the cable and plug before starting with your work.

Should your mains plug need replacing and you are competent to do this, proceed as instructed below. If you are in doubt, contact an authorised Trend repair agent or a qualified electrician.

- Disconnect the plug from the supply.
- Cut off the plug and dispose of it safely; a plug with bared copper conductors is dangerous if engaged in a live socket outlet.
- Only fit 13 Amperes BS 1363A approved plugs fitted with a 3 Amp A.S.T.A approved BS 1362 fuse (1).
- The cable wire colours, or a letter, will be marked at the connection points of most good quality plugs. Attach the wires to their respective points in the plug (see below). Brown is for Live (L) (2) and Blue is for Neutral (N) (3).
- Before replacing the top cover of the mains plug ensure that the cable restraint (4) is holding the outer sheath of the cable firmly and that the two leads are correctly fixed at the terminal screws.



**Never connect to a light socket. Never connect the live (L) or neutral (N) wires to the earth pin marked E or ⚡.**

**Using an Extension Cable**

- If an extension cable is required, use an approved triple core extension cable suitable for the power input of this tool (see technical data).
- When using a cable reel, always unwind the cable completely.
- Also refer to the table below.

Conductor size (mm <sup>2</sup> )	Cable rating (Amperes)
0.75	6
1.00	10
1.50	15
2.50	20
4.00	25

Voltage	Amperes	Cable length (m)					
		7.5	15	25	30	45	60
115	0 - 2.0	6	6	6	6	6	10
	2.1 - 3.4	6	6	6	6	15	15
	3.5 - 5.0	6	6	10	15	20	20
	5.1 - 7.0	10	10	15	20	20	25
	7.1 - 12.0	15	15	20	25	25	-
	12.1 - 20.0	20	20	25	-	-	-

230	0 - 2.0	6	6	6	6	6	6
	2.1 - 3.4	6	6	6	6	6	6
	3.5 - 5.0	6	6	6	6	10	15
	5.1 - 7.0	10	10	10	10	15	15
	7.1 - 12.0	15	15	15	15	20	20
	12.1 - 20.0	20	20	20	20	25	-

**Safety Instructions for  
Battery Charger**



Before using charger, read all instructions and cautionary marking on charger, battery pack, and impact drill. Only charge your batteries indoors as the charger is designed for indoor use only.



**230 volts present at charging terminal.  
Do not probe with conductive objects.  
There is a danger of electric shock.**



**If battery pack case is cracked or  
damaged, do not insert into charger.  
There is a danger of electric shock.**




- The charger and battery pack is specially designed to work together. DO NOT attempt to charge the battery pack with any other chargers.
- Do not expose charger to rain or snow.
- The charger is not intended for any uses other than charging Trend T50K rechargeable batteries. Any other uses may result in risk of fire, electric shock or electrocution.
- To reduce risk of damage to electric plug and cord, pull by plug rather than cord when disconnecting charger.
- Make sure cord is located so that it will not be stepped on, tripped over, or otherwise subjected to damage or stress.
- An extension cord should not be used unless absolutely necessary. Use of improper extension cord could result in risk of fire, electric shock, or electrocution.
- The charger is ventilated through slots in the top and the bottom of the housing. Do not place any object on top of charger or place the charger on a soft surface that might block the ventilation slots and result in excessive internal heat. Place the charger in a position away from any heat source.
- Do not operate charger with damaged cord or plug - have them replaced immediately.

- Do not operate charger if it has received a sharp blow, been dropped, or otherwise damaged in any way; take it to a Trend Service Agent.
- If you wish to charge a second battery pack, unplug the charger from the mains supply and leave it for at least 15 minutes. After this time you can charge a second battery pack.
- Do not disassemble charger; take it to a Trend Service Agent when service or repair is required. Incorrect reassemble may result in a risk of electric shock, electrocution or fire.
- To reduce risk of electric shock, unplug charger from outlet before attempting any cleaning. Removing the battery pack will not reduce this risk.
- NEVER attempt to connect two chargers together.
- DO NOT store or use the tool and battery pack in locations where the temperature may reach or exceed 40.5°C (such as outside sheds or metal buildings in summer).
- The charger is designed to operate on standard household electrical power. Do not attempt to use it on any other voltage!

**Safety Instructions for  
Battery Packs**



- The battery pack is not fully charged when first purchased. First read the safety instructions below, then follow charging notes and procedures.
- Do not incinerate the battery pack even if it is severely damaged or is completely worn out. The battery pack can explode in a fire.
- A small leakage of liquid from the battery pack cells may occur under extreme usage or temperature conditions. This does not indicate a failure. However, if the outer seal is broken and this leakage gets on your skin:
  - a. Wash quickly with soap and water.
  - b. Neutralize with a mild acid such as lemon juice or vinegar.
  - c. If battery liquid gets into your eyes, flush them with clean water for a minimum of 10 minutes and seek immediate medical attention. (Medical note: The liquid is 30-40% solution of potassium hydroxide.)

- Never attempt to open the battery pack for any reason. If the plastic housing of the battery pack breaks or cracks, immediately discontinue use and do not recharge.
  - Do not carry extra battery packs in aprons, pockets, or toolboxes along with metal objects. Battery pack could be short-circuited causing damage to the battery pack and possibly causing severe burns or fire.
  - Charge the battery packs only in a Trend charger.
  - Do not charge the tool in a damp or wet environment.
  - Longest life and best performance can be obtained if the battery pack is charged when the air temperature is between 18°C and 24°C. DO NOT charge the battery pack in an air temperature below 4.5°C, or above 40.5°C. This is important and will prevent serious damage to the battery pack.
  - The charger and battery pack may become warm to touch while charging. This is a normal condition, and does not indicate a problem.
  - To prevent overheating, do not cover the charger and do not charge battery packs in direct sunlight or near heat sources.
  - If the battery pack does not charge properly:-
    1. Check current at receptacle by plugging in a lamp or other appliance.
    2. Check to see if receptacle is connected to a light switch, which turns power off when you turn out the lights.
    3. Move charger and battery pack to a location where the surrounding air temperature is approximately 18°C and 24°C.
    4. If charging problems persist, take or send the tool, battery pack and charger to a Trend Service Agent.
  - The battery pack should be recharged when it fails to produce sufficient power on jobs which were easily done previously. DO NOT CONTINUE to use if the battery pack does not charge properly. Follow the charging procedure. You may also charge a partially used pack whenever you desire with no adverse affect on the battery pack.
  - Under certain conditions, with the charger plugged in to the power supply, the exposed charging contacts inside the charger can be shorted by foreign material. Foreign materials of a conductive nature such as, but not limited to, steel wool, aluminum foil, or any buildup of metallic particles should be kept away from charger cavities. Always unplug the charger from the power supply when there is no battery pack in the cavity. Unplug charger before attempting to clean.
  - Do not freeze or immerse charger in water or any other liquid.
-   
**Do not allow any liquid to get inside charger. Electric shock may result. To facilitate the cooling of the battery pack after use, avoid placing the charger or battery pack in a warm environment such as in a metal shed, or an un-insulated trailer.**
-   
**Never attempt to open the battery pack for any reason. If the plastic housing of the battery pack breaks or cracks, do not use.**
-   
**Read all of the instructions in the battery charger section of this manual before attempting to charge the battery pack for your tool.**
- Always use correct battery pack (pack supplied with tool or exact replacement pack). Never install any other battery pack as it will ruin your tool and may create a hazardous condition.

**Important Information for Recharging Hot Batteries** 

When using your cordless impact driver continuously, the batteries in your battery pack will become hot. You should let a hot battery pack cool down for approximately 30 minutes before attempting to recharge. When the battery pack becomes discharged and is hot, the red light on the charger will flash. When the battery pack cools down, the red light will glow continuously to indicate fast charging mode, 1-hour charge time.

**NOTE:** This will occur when continuous use of your tool causes the battery pack to become hot. It does not occur under normal conditions.

**Additional Safety Rules for Impact Drivers**  

- Always hold tool by insulated gripping surfaces. Contact with a 'live' wire will make exposed metal parts of the tool 'live' and can cause an electric shock.
- Be aware that this tool is always in an operating condition, because it does not have to be plugged into an electrical outlet. Always set the forward/reverse lever to the locked OFF position when installing or removing the battery pack.



**MANUFACTURERS  
DECLARATION**



We declare under our sole responsibility that this product is in conformity with the following standards of standardised documents:

EN 60745-1, EN 60745-2-2, EN 61000-3-2, EN 61000-3-3, EN 55014-1, EN 55014-2, in accordance with the directives 98/37/EC, 73/23/EEC, 89/336/EEC, 93/68/EEC.

Level of sound pressure according to 86/188/EEC & 98/37/EC, measured according to EN 60745:

---

Lpa (sound pressure) 96.5 dB(A)  
Lwa (acoustic power) 100.3 dB(A)

---

Radio and TV suppression in compliance with 76/889/EEC and 82/499/EEC

**INFORMATION ON  
NOISE/VIBRATION**



The noise level when working can exceed 85 dB(A).

**Wear ear protection!**

Weighted root mean square acceleration value according to EN 60745:

---

< 30.61 m/s<sup>2</sup> (hand arm method)

---

Managing Director  
Jeff Willcocks

Trend Machinery & Cutting Tools Ltd.

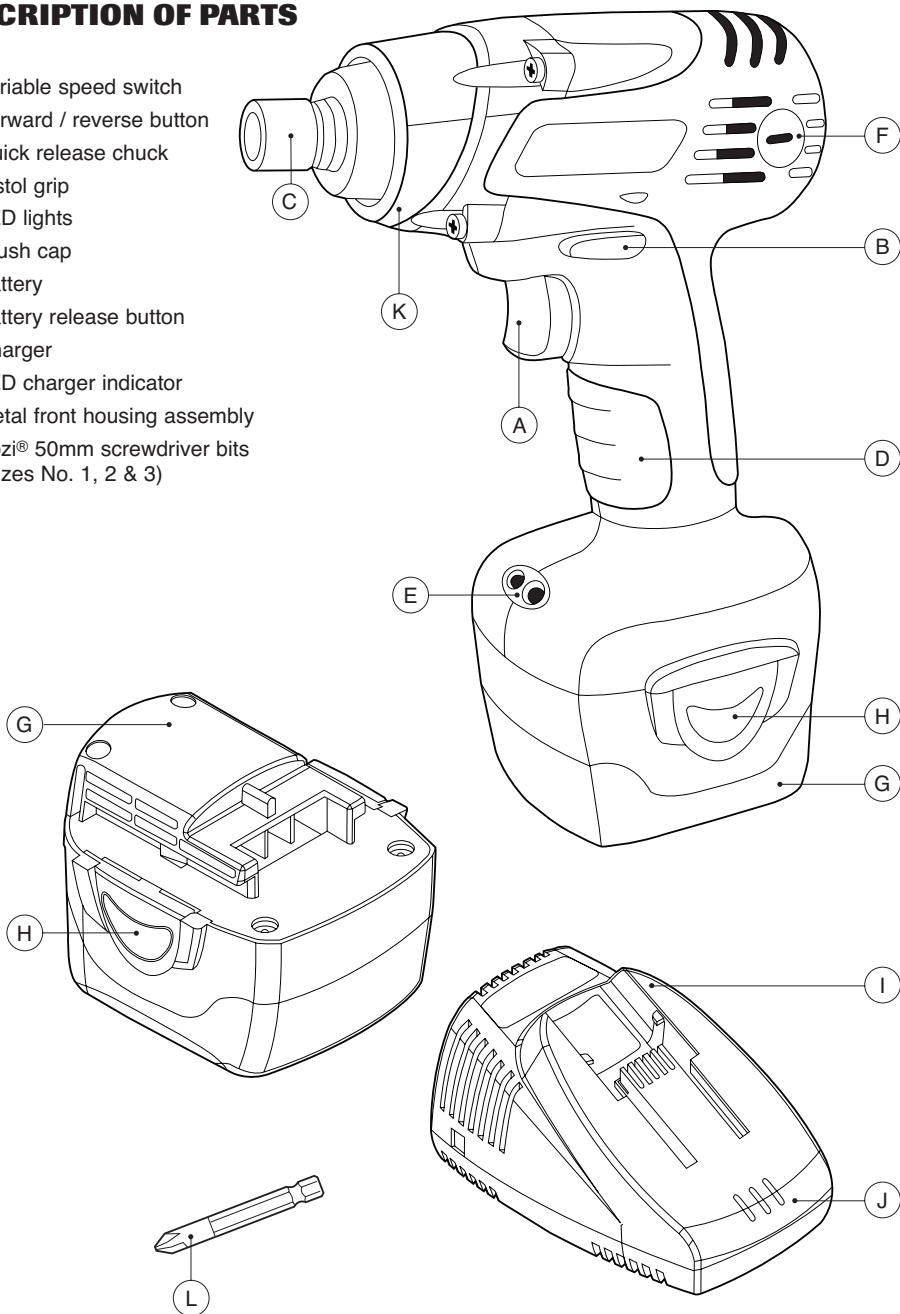
**ITEMS ENCLOSED**

- 1 x Charger
- 2 x Batteries (one fitted to impact driver)
- 3 x 50mm Pozi<sup>®</sup> screwdriver bits (No. 1, 2 & 3)\*
- 1 x Instruction manual
- 1 x Guarantee registration card

\* These are fitted inside bit case found on carry case.

**DESCRIPTION OF PARTS**

- (A) Variable speed switch
- (B) Forward / reverse button
- (C) Quick release chuck
- (D) Pistol grip
- (E) LED lights
- (F) Brush cap
- (G) Battery
- (H) Battery release button
- (I) Charger
- (J) LED charger indicator
- (K) Metal front housing assembly
- (L) Pozzi® 50mm screwdriver bits  
(Sizes No. 1, 2 & 3)



## ASSEMBLY & ADJUSTMENT

### Installing/Removing Driver Bit

Always follow the following procedure to install driver bit:-

1. Pull the sleeve forward.
2. Insert the bit into the hexagonal hole in the quick release chuck.
3. Release the quick release chuck and it returns to its original position to secure the bit.

If the sleeve does not return to its original position, then the bit is not installed properly.

### Forward/Reverse Button

- To select forward or reverse rotation, use the forward/reverse button.
- Always wait until the motor has come to a complete standstill before changing the direction of rotation.
- The bit rotates clockwise (viewed from the rear) by pushing the R-side of the forward/reverse button. The L-side of the forward/reverse button is pushed to turn the bit anti-clockwise.



**The forward/reverse button cannot be switched while the impact driver is turning. To switch the forward/reverse button, stop the impact driver then set the forward/reverse button.**

### Tightening and Loosening Screws

- Install the bit that matches the screw, line up the bit in the grooves of the head of the screw then tighten it.
- Push the impact driver just enough to keep the bit fitting the head of the screw.

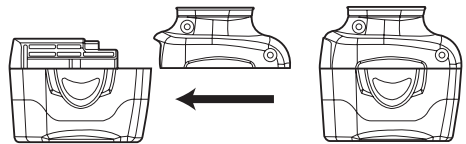


**Applying the impact driver for too long over-tightens the screw and can break it.**

- **Tightening a screw with the impact driver at an angle to the screw can damage the head of the screw and proper force will not be transmitted to the screw.**

### Installing or Removing Battery Pack from Impact Driver

- **TO REMOVE BATTERY PACK:** Depress the battery release button and pull battery pack out of tool.
- **TO INSTALL BATTERY PACK:** Align rails on the tool with the four tabs on the battery pack, and push battery pack onto tool until it locks in place.



### Normal Charging

- To ensure battery contacts are properly engaged with the charger contacts, press down on the battery pack. The red light should ignite. Red light indicates fast charging mode. If the red light is flashing, the battery pack is fully discharged or hot. If the battery pack is hot, the red light will stop flashing and glow once the battery pack has cooled down. If the battery pack is fully discharged, the red light should glow after voltage has increased, normally approximately for 30 minutes. If after one hour the red light is still flashing, the battery pack is defective and should be replaced. The green light indicates that the battery pack is fully charged or it is in slow charging mode to maintain battery pack charge level. If the yellow light glows and the red light flashes, the battery is defective. Return battery pack to place of purchase.
- After your battery pack is fully charged, the red light will turn OFF and the green light will come on.

- After normal use, the battery pack will require one hour of charging before it will be fully charged. A completely discharged battery will require one and a half hours in order to be fully charged.
- The battery pack will become a little warm while charging. This is normal and does not indicate a problem.
- Do not place the charger in an extremely hot or cold place. It will work best at room temperature.
- Make sure power circuit voltage is the same as that shown on the charger rating plate. Connect charger to power source. The orange light should light up. This indicates the charger is ready to begin charging.
- Position battery pack on the charger, align rails on battery charger with the four tabs on battery pack. Slide battery forward onto charger until it stops.
- The red light should begin to glow continuously, indicating that the battery pack is receiving a “Fast Charge”. After approximately one hour, the “Fast Charge” indicator (red light) should go out indicating that the battery pack is fully charged and that the charger is now in a “Trickle Charge” mode (green light).
- The battery pack can be left on “Trickle Charge” until you are ready to use it.

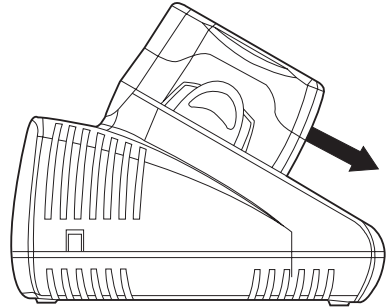


**When inserting battery pack onto charger, if the yellow light starts to blink, and the green light begins to glow, (“wake up battery”) this indicates that the battery temperature maybe too high or the battery voltage is too low. Please leave battery pack on charger, it will be charged automatically when battery temperature is between 0°C and 37.7°C or battery voltage becomes to normal. Then the red light should begin to glow continuously, and the green light will turn off.**



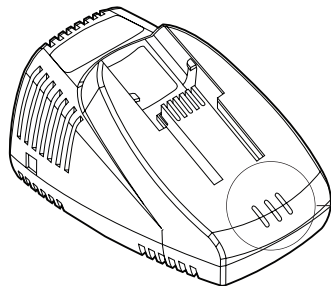
**Depending on room temperature, line voltage, and existing charge level, initial battery charging may take longer than one hour.**

- Disconnect charger from power source when not in use.



### Charger Lights

Yellow		Plug in
Red & Yellow		Fast charging
Green & Yellow		Maintenance charging
Green & Flash Yellow		Wake up battery



**OPERATION**



**Switch Operation**



- This switch has a built-in, electronic circuit that can vary the rotation speed. Consequently, when the switch trigger is squeezed only slightly (low speed rotation) and the motor is stopped while continuously driving in screws, the components of the electronic circuit parts may overheat and be damaged.
- To turn the tool on, squeeze the trigger switch. To turn the tool off, release the trigger switch.
- Your tool is equipped with a brake. The tool will stop as soon as the trigger switch is fully released. The farther you squeeze the trigger, the faster the tool will operate.

**Screwdriving Operation**



- Rest the tool after continuous work.
- After use for continuous bolt-tightening work, rest the unit for 15 minutes or so, when replacing the battery. The temperature of the motor, switch, etc., will rise if the work is started again immediately after battery replacement, eventually resulting in burnout.
- Place the point of the driver bit in the screw head. Keep the tool pointed straight at the screw.
- Apply forward pressure to the tool to prevent the bit from slipping off the screw.
- Turn the unit on to start operation. Always check torque with a torque wrench, as the fastening torque is affected by many factors including the following:-

**1. Voltage:** Low voltage, due to a nearly discharged battery, will reduce the fastening torque.

**2. Bit or socket size:** Failure to use the correct bit or socket size will cause a reduction in fastening torque.

**3. Variable Speed Trigger Switch:**

Operating the tool at a reduced speed will reduce the fastening torque.

**4. Bolt Size:** Larger bolt diameters generally require higher fastening torque. Fastening torque will also vary according to length, grade, and torque coefficient.

**5. Material:** The type of material and surface finish of the material will affect fastening torque.

**6. Fastening Time:** Longer fastening time results in increased fastening torque. Using a longer fastening time than recommended could cause the screws to be overstressed, stripped or damaged.

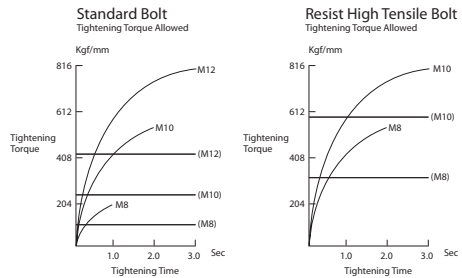


**Do not touch the metal front cover assembly, as it gets very hot during continuous work.**

**Tightening Torque**



Reference values for the proper fastening torque, based on a standard bolt and resist high tension bolt is shown below:-



- Tightening torque will vary according to tightening conditions.

If a long striking time is used, screws will be strongly tightened. This may cause the screw to break, or may damage the end of the bit. If the unit is held at an angle to the screw being tightened, the head of the screw may be damaged, or the specified torque may not be transmitted to the screw. Always keep the unit and the screw being tightened in a straight line.

## ACCESSORIES

Recommended accessories for use with your tool are available at extra cost from your local distributor.

## MAINTENANCE AND CARE

### Impact Driver Cleaning

- With the motor running, blow dirt and dust out of all air vents with dry air at least once a week. Wear safety glasses when performing this.
- Exterior plastic parts may be cleaned a damp cloth and mild detergent. Although these parts are highly solvent resistant, NEVER use solvent.

### Charger Cleaning

- Dirt and grease may be removed from the exterior of the charger using a cloth or soft non-metallic brush. Do not use water or any cleaning solutions.



**Disconnect the charger from the AC outlet before cleaning.**

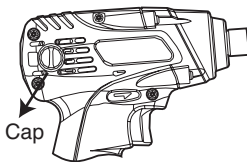
### Changing Brushes

Remove battery pack.



**It is advisable to have the brushes replaced by an authorized Trend Service Agent.**

- Completely unscrew the cap.
- Next pull the brush out from the brush holder.
- Replace brush.
- Re-fasten the cap.



- Check that the tool is working. Before use, allow it to run for a few minutes to enable the brushes to settle.

## Lubrication

- Your power tool requires no additional lubrication.

## ENVIRONMENTAL PROTECTION

**Recycle raw materials instead of disposing as waste.**

Accessories and packaging should be sorted for environmental-friendly recycling.



Separate collection. This product must not be disposed of with normal household waste.

Local regulations may provide for separate collection of electrical products from the household, at municipal waste sites or by retailer when you purchase a new product.

Please call Trend Technical Support for advice as to how to dispose of unwanted Trend electrical product in an environmentally safe way.

## Rechargeable Batteries and the Environment



This unit uses Nickel-Metal Hydride (Ni-MH) batteries. When battery pack needs replacing, we recommend the following:-

Discharge the energy from the batteries by running the batteries down completely and then remove from the tool.

Ni-MH cells are recyclable: so do not throw them away with your household waste. They may end up in an incinerator or landfill, which must be avoided.

Instead, take the batteries to a Trend Service Agent, your local Trend Stockist or a local recycling station. If necessary contact your local municipality for disposal information. The collected batteries will be disposed of properly and/or used for recycling purposes.

## GUARANTEE

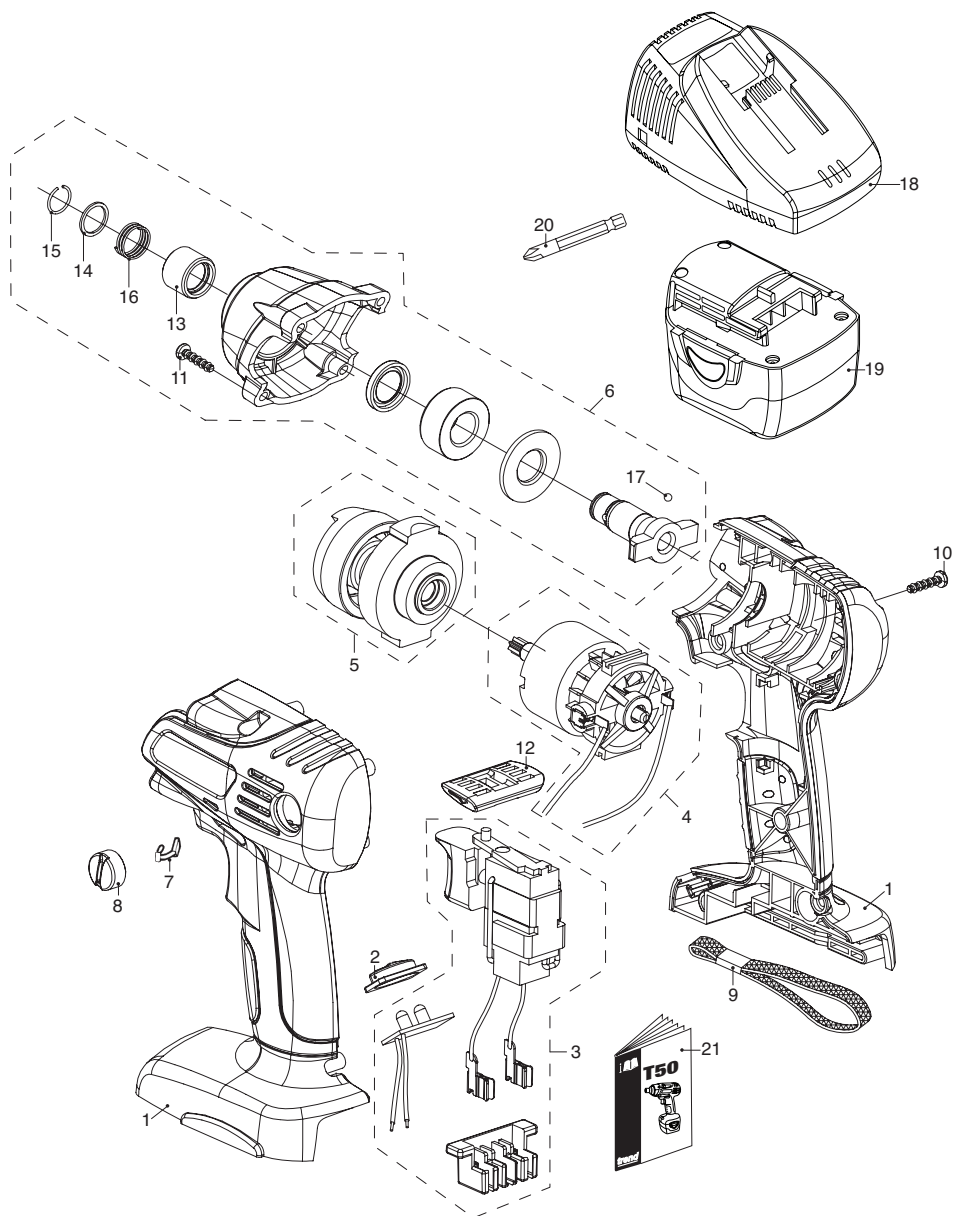
The machine carries a manufacturers guarantee in accordance with the conditions on the enclosed guarantee card.

For the location of your nearest Trend Service Agent, please call Trend Technical Support.

<b>T50 - SPARE PARTS LIST</b>			<b>v1.0 10/2006</b>
<b>No.</b>	<b>Qty</b>	<b>Desc.</b>	<b>Ref.</b>
1	1	Housing Assembly (Left & Right)	WP-T50/001
2	1	LED Cover	WP-T50/002
3	1	Switch 12V	WP-T50/003
4	1	Motor 12V	WP-T50/004
5	1	Hammer and Gearbox Assembly	WP-T50/005
6	1	Front Cover Assembly	WP-T50/006
7	1	Carbon Brush 12V (1 pair)	WP-T50/007
8	2	Brush Cap	WP-T50/008
9	1	Wrist Strap	WP-T50/009
10	7	Screw Self Tapping Pan 3.5mm x 17mm Torx	WP-T50/010
11	4	Screw Self Tapping Pan 4mm x 24mm Torx	WP-T50/011
12	1	Forward/Reverse Button	WP-T50/012
13	1	Quick Chuck Barrel	WP-T50/013
14	1	Quick Chuck Washer	WP-T50/014
15	1	Quick Chuck 'O' Ring Clip	WP-T50/015
16	1	Quick Chuck Spring	WP-T50/016
17	2	Quick Chuck Steel Ball	WP-T50/017
18	1	Charger 230V UK	T50/CH/12/UK
	1	Charger 230V Euro	T50/CH/12/EUR
19	2	Battery	T50/BA/12NMH
20	1	Screwdriver Bit 50mm No. 1, 2, 3 Pozi (pack of 3)	SNAP/PZ/123
21	1	Manual	MANU/T50

**T50 - SPARE PARTS DIAGRAM**

**v1.0 10/2006**





**NOTES**

**NOTES**



MANU/T50 v1.0



RECYCLABLE

**Trend Machinery & Cutting Tools Ltd.**

Odhams Trading Estate St Albans Road

Watford WD24 7TR England

**Enquiries:** \_\_\_\_\_ 0800 487363

**Technical Support:** \_\_\_\_\_ 0044 (0) 1923 224681

**Fax:** \_\_\_\_\_ 0044 (0) 1923 236879

**Email:** \_\_\_\_\_ enquiry@trendm.co.uk

**Web:** \_\_\_\_\_ www.trend-uk.com