



**Modular Window
System Espagnolette
Recess Jig
IT/MWS/JIG/A**

Please read carefully before use



INST/MWS/J/A v1.0

**MWS ESPAGNOLETTE RECESS JIG
REF. IT/MWS/JIG/A**

Thank you for purchasing this Trend product which should give lasting performance if used in accordance with these instructions.

The following symbols are used throughout these instructions.



Denotes risk of personal injury, loss of life or damage to the tool in case of non-observance of the instructions.



Refer to the instruction manual of your power tool.

This unit must not be put into service until it has been established that the power tool to be connected to this unit is in compliance with 2006/42/EC (identified by the CE marking on the power tool).

INTENDED USE

This accessory is intended to be used with a portable plunge router with suitable cutter and guide bush fitted to cut a recess for an Espagnolette Lock in a window sash.

SAFETY

Please read and understand the safety points at end of this instruction as well as the power tool instructions before use.

PLEASE KEEP THESE INSTRUCTIONS IN A SAFE PLACE.

The attention of UK users is drawn to The Provision and Use of Work Equipment Regulations 1998, and any subsequent amendments.

Users should also read the HSE/HSC Safe Use of Woodworking Machinery Approved Code of Practice and Guidance Document and any amendments.

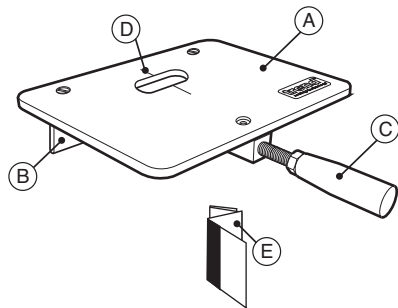
Users must be competent in using woodworking equipment before using our products.

ITEMS REQUIRED

- Plunge router with suitable size collet fitted eg Ref. T10EK.
- Cutter two flute straight 12mm diameter x 50mm cut length eg Ref. 3/73DX1/2TC.
- Guide bush 30mm diameter.
- Hand tools.

ITEMS ENCLOSED & DESCRIPTION OF PARTS

- A. Main Plate **x1**
- B. Bracket **x1**
- C. Clamp **x1**
- D. Scribe Centre Line
- E. Instructions **x1**



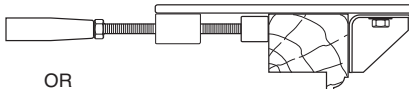
OPERATION

Setting Up the Router

- Isolate router from power supply.
- Fit a 30mm guide bush to router.
- Fit 12mm diameter x 50mm cut length straight two flute router cutter into router.

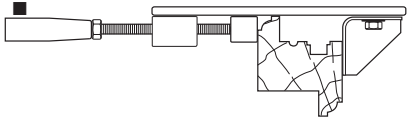
Setting Up the Jig

- Mark the position of the centre of the lock on the sash.
- Lay the jig on the sash and line up scribe centre line on the jig with the centre-line on the sash.
- Fit the jig as shown onto the sash using either of the following methods:-
(1) Before machining outer profile of sash.



OR

- (2) After machining outer profile.



Clamp jig in position using the integral clamp.



Ensure the jig is clamped securely to the sash before routing.

