

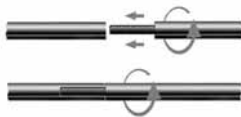


Extension Rods MOD•RODS™

Please
read carefully
before use

EXTENSION RODS REF. MOD/ROD/8, 10 & 12

Thank you for purchasing this Trend product which can be used to replace the standard guide fence rods of your router. The ends are alternately threaded male and female to enable chaining rods to make an extended guide.



Part supplied in set

- 1 x Pair of rods male thread on one end only. Diameter 8, 10 or 12mm.
- 1 x Pair of rods male and female threaded. Diameter 8, 10 or 12mm.
- 1 x Self adhesive nylon glide strip

Table 1 Mod Rod Dimensions

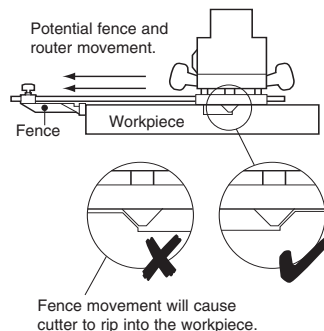
Rod dia.	Extension	Rod Length	Thread
8mm	280mm	300mm	M5
10mm	280mm	300mm	M6
12mm	280mm	300mm	M8

Fitting Instructions

Either drill and tap a suitable hole in the end of your existing guide rods, or replace the existing fence-mounted rods with a pair of Mod•Rods™ (female end furthest away from the fence). Additional Mod•Rods™ may then be added as required.

Instructions for edge cutting using a fence

Always avoid cuts where the cutter is 'trapped' where any unwanted movement of the fence will cause the cutter to dig deeper into the workpiece. Such cuts are dangerous and can result in loss of control.



© Trend Machinery & Cutting Tools Ltd. 2003 E&OE
Design Reg. 3003638

Trend Machinery & Cutting Tools Ltd.
 Odhams Trading Estate St Albans Road
 Watford WD24 7TR
 Technical Support: _____01923 224681
 Fax: _____01923 236879
 Email: _____mailserver@trendm.co.uk
 WWW: _____www.trendmachinery.co.uk



RS 28982
Stockholding
& Supply

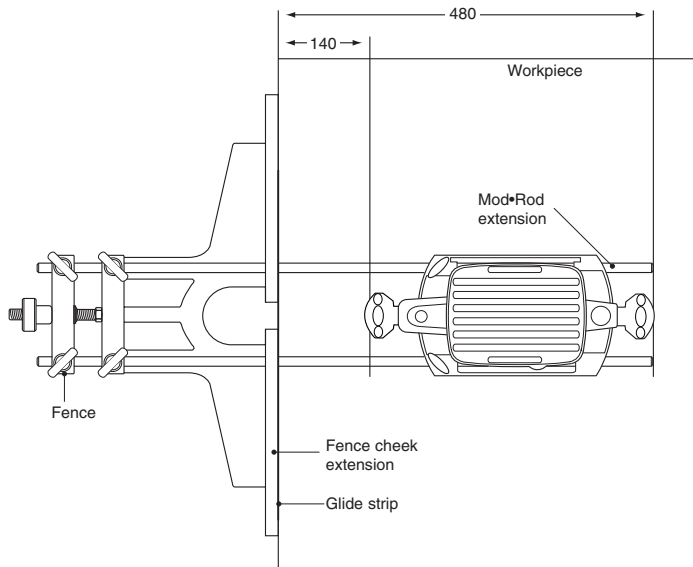


RECYCLABLE

When using extension rods with a fence, a longer fence cheek is strongly advised, by bolting/screwing a length of timber to the face (false fence cheek extension). A self adhesive glide strip is supplied which can be fitted to the false cheek to reduce friction between the fence cheek and the workpiece. For stability, the length of fence in contact with the edge of the workpiece should be

approximately the same as the distance of the cutter from the fence.

Ensure that any cut starts and ends with the router base fully supported. If a cut is required right up to the workpiece edge then either use an oversize workpiece and remove surplus material after routing is complete, or temporarily extend the edge



with an offset of similar material.

The distance that you can rout into the board with standard rods is 140mm in from the edge compared to 480mm in from the edge with the Mod•Rods™ system.

The 8mm Mod•Rods™ are compatible with the N•Compass™. Simply screw the Mod•Rods™ into the threaded ends of the N•Compass™ guide rods to give the facility to rout larger circles. Mod•Rods™ may be used on other types of router circle-cutting attachment, which have receptacles for the appropriate size rods.

Important! Inexpert use of even a small router is potentially dangerous. In some configurations, use of more than one set of Mod•Rods™ may promote unstable cutting. Do not configure your router assembly such that the cutter is 'pulling-in'. Avoid a 'trapped' cutter set-up where any movement off the fence causes the cutter to dig into the workpiece.

Safety Steps

1. Always wear eye protection such as goggles, ear protection and use effective respiratory protection.
2. Before making adjustments to the router, like changing the cutter, make sure the power is isolated correctly.
3. Before re-connecting to the mains supply, make sure the power switch on the router is in the 'off' position.
4. Do not switch on the router with the cutter in contact with the workpiece.
5. Before making adjustments always allow the cutter to stop rotating.
6. When routing keep your hands, hair and clothing clear of the cutter.
7. Make sure you follow the instructions which came with your router.
8. Ensure all visors, guards and dust extraction are fitted.
9. Trial cuts should be made in waste material before starting any project.
10. Always ensure that the router is held firmly in a stable manner; ideally, hold the router handles, as this will ensure that the router does not tilt or fall. If your position becomes uncomfortable when making a cut, stop the router and reposition for best control before continuing.

All Trend tooling is guaranteed against any defects in either workmanship or material, except tools that have been damaged due to improper use or maintenance.

Our policy of continuous improvements mean that specifications may change without notice. Trend Machinery & Cutting Tools Ltd. cannot be held liable for any material rendered unusable, or for any form of consequential loss.