

**Dovetail Jig
Adaptor Plate
E40267**

INSTRUCTIONS

Please read carefully
before use

**DOVETAIL JIG
ADAPTOR PLATE
REF. E40267**

Instructions for fitting the E40267 Adaptor Plate and Dovetail Cutter, when using the Elu Dovetail Jig E40001, in conjunction with the Elu MOF 31, 77, 98, 131 and 177(E) Routers.

1. The guide bush is fitted into the recess of the adaptor plate. Using the two countersunk screws supplied, securely fix the guide bush to the plate.
2. With the router held inverted, place the adaptor plate on the router base and align the counterbored holes with the fixings on the router base.
Hand tighten the two M6 screws, while still allowing adjustment of the adaptor plate.
3. Depress the router until the collet rests on the rear of the guide bush, and lock router in position.
4. Now thread the knurled ring nut down as far as it will go (finger tight), or preferably use the fine height adjuster (E40266) which is available as an accessory.
5. Slide the cutter through the guide bush and into the collet of the router to a reasonable working depth.
6. By eye, centralize the guide bush and

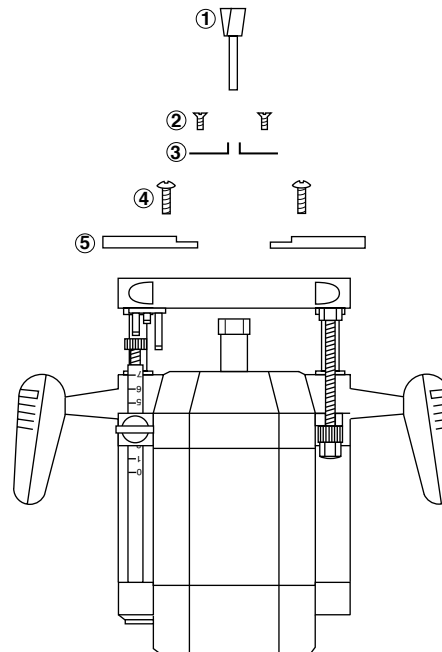
adaptor plate to the shank of the cutter. When correct, tighten the M6 screws to securely fix the adaptor plate to the router.

7. Slide the cutter shank further into the collet to a depth of approximately 25mm.
8. The collet nut should now be tightened with the router collet nut spanner.
9. With the cutter now tightened, the approximate projection for the cutter can now be set at 15mm. Adjusting up or down approximately 0.5mm will give a looser, or tighter fit as required.

Please note:

To allow greater accuracy when setting the guide bush to the cutter, it is advisable that a line-up pin and a 10mm O.D. guide bush is used.

To allow the Elu Dovetail Jig to fit other makes of router, the adaptor plate E40267 will require re-drilling.



1. Dovetail Cutter
2. Countersink Machine Screws (x2)
3. Guide Bush (x1)
4. M6 Pan Head Machine Screws (x2)
5. Adaptor Plate

© Trend Machinery & Cutting Tools Ltd 2000 E & OE

Trend Machinery & Cutting Tools Ltd

Unit 6 Odhams Trading Estate
Watford WD2 5TR
Technical Support: 01923 224681
Fax: 01923 236879
Email: mailserver@trendm.co.uk
WWW: www.trendm.co.uk



RS 28982
Stockholding
& Supply



RECYCLABLE



5 027654 319178 >

Safety Steps

1. Always wear eye protection such as goggles, ear protection and use effective respiratory protection.
2. Before making adjustments to the router, like changing the cutter, make sure the power is isolated correctly.
3. Before re-connecting to the mains supply, make sure the power switch on the router is in the 'off' position.
4. Do not switch on the router with the cutter in contact with the workpiece.
5. Before making adjustments always allow the cutter to stop rotating.
6. When routing keep your hands, hair and clothing clear of the cutter.
7. Make sure you follow the instructions which came with your router.
8. Ensure all visors, guards and dust extraction are fitted.

All Trend tooling is guaranteed against any defects in either workmanship or material, except tools that have been damaged due to improper use or maintenance.

Our policy of continuous improvements mean that specifications may change without notice. Trend Machinery & Cutting Tools Ltd cannot be held liable for any material rendered unusable, or for any form of consequential loss.