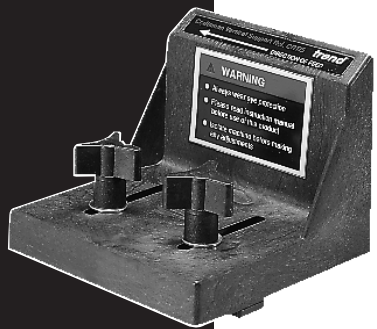


INST

Vertical Routing
Support

CRT/5

Please
read carefully
before useVERTICAL ROUTING SUPPORT
REF. CRT/5

Thank you for purchasing this Trend Vertical Routing Support, which is for use with the Craftsman Router Table.

Assembly

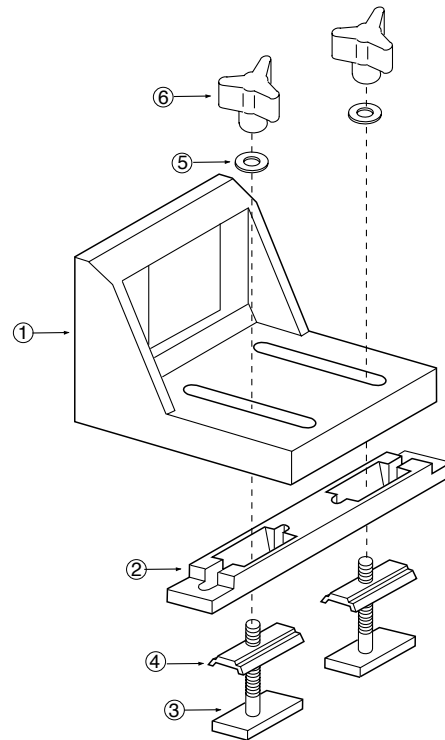
1. Referring to the diagram, place the wedges in the track guide.
2. Insert the bolts through the wedges.
3. Flip this over and place the vertical routing support over the bolts.
4. Assemble the washers and knobs to the bolts and gently tighten the knobs.
5. Place the track guide of the vertical routing support in the mitre slot of your router table.

Parts supplied in Set

1. Fence Vertical Support Body, Ref. WP-CRT/71 (x1)
2. Track Guide for Vertical Support, Ref. WP-CRT/72 (x1)
3. Bolt for Wedge, Ref. WP-CRT/74 (x2)
4. Wedge for Vertical Support, Ref. WP-CRT/73 (x2)
5. Washer 1/4" bore, Ref. WP-CRT/03 (x2)
6. Knob for Workpiece Support, Ref. WP-CRT/31 (x2)

Spare parts are available from your Trend stockist.

Parts List



Operation

1. Adjust the depth of cut (the material you want to remove) and router cutter height as described in your router table instructions. Make sure the router is unplugged when making adjustments.
2. Position the Vertical Routing Support to guide the workpiece. When the vertical routing support is positioned correctly, the workpiece will move freely between the two fences and remain perpendicular to the table.



Please note:

It is important to check that the entire length of the workpiece will travel between the two fences without binding. This is done simply by holding the workpiece up to clear the router cutter and sliding it through the cutting area. If a board is warped or bowed it may bind and result in damage and/or injury.

3. Once the Vertical Routing Support is positioned correctly lock it into place by securely tightening both knobs so that the Vertical Routing Support will not move. Do not overtighten the knobs as this could result in damage to your Vertical Routing Support.
4. The Vertical Routing Support is now ready for use.

© Trend Machinery & Cutting Tools Ltd 2002 E & OE

Trend Machinery & Cutting Tools Ltd
Odhams Trading Estate St Albans Road
Watford WD24 7TR
Technical Support: 01923 224681
Fax: 01923 236879
Email: mailserver@trendm.co.uk
WWW: www.trendmachinery.co.uk



Please note:

Feed the workpiece in the direction of arrow shown on fence label. Test a scrap piece of wood before making your finish cut. When making deep cuts in a workpiece, remove material in increments to prevent your router from overloading. Re-adjust both fences and repeat operation with several passes until the desired depth is achieved. If the workpiece becomes lodged while cutting, turn the router off and wait for the router bit to stop and unplug the router. Remove the workpiece and make adjustments. Never attempt to back out the workpiece while the router is turned on.

5. Turn the router on. Guide and push the workpiece through the cutter. Keep fingers and hands at a safe distance from the cutter. Do not stop feeding until the workpiece is beyond the cutter.
6. Re-position the Vertical Routing Support as described in steps 2 and 3 for boards of different thicknesses.
7. When routing all four edges of a workpiece, as on a raised panel door, cut the end grain first as this will minimise splintering.



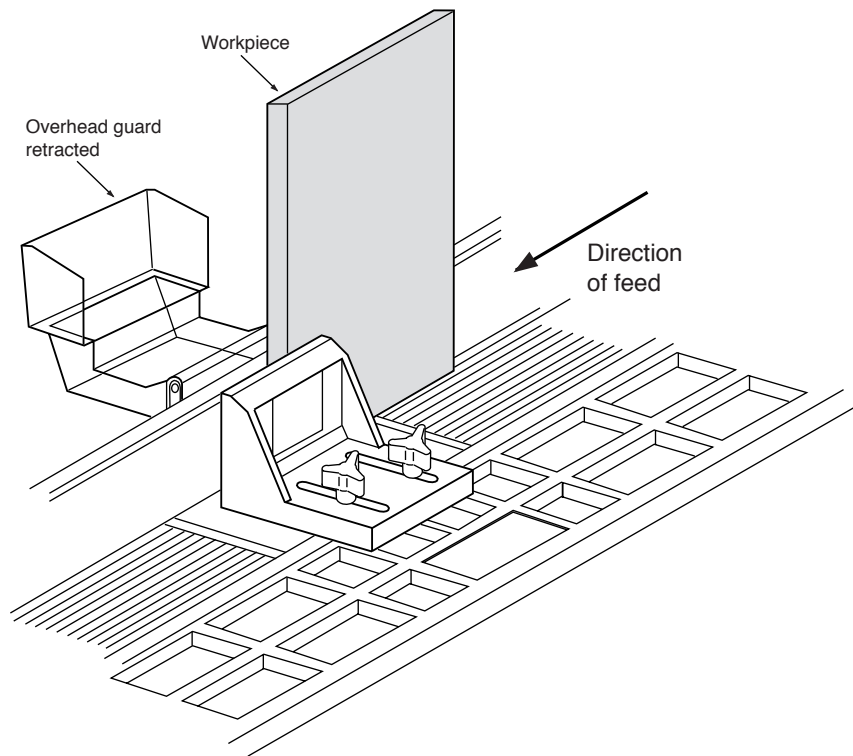
Important

Unplug the router before attaching the vertical routing support to your router table.



Please note:

The overhead guard must be retracted to position the Vertical Routing Support as shown.



Safety Steps

1. Always wear eye protection such as goggles, ear protection and use effective respiratory protection.
2. Before making adjustments to the router, like changing the cutter, make sure the power is isolated correctly.
3. Before re-connecting to the mains supply, make sure the power switch on the router is in the 'off' position.
4. Do not switch on the router with the cutter in contact with the workpiece.
5. Before making adjustments always allow the cutter to stop rotating.
6. When routing keep your hands, hair and clothing clear of the cutter.
7. Make sure you follow the instructions which came with your router.
8. Ensure all visors, guards and dust extraction are fitted.
9. Trial cuts should be made in waste material before starting any project.

All Trend tooling is guaranteed against any defects in either workmanship or material, except tools that have been damaged due to improper use or maintenance.

Our policy of continuous improvements mean that specifications may change without notice. Trend Machinery & Cutting Tools Ltd cannot be held liable for any material rendered unusable, or for any form of consequential loss.