



Cavity Access System Drilling Kit CAS/KIT



trend
routing technology

INST/CAS v2.0

Please read carefully before use

CAVITY ACCESS SYSTEM REF. CAS/KIT

Thank you for purchasing this Trend product, which should give lasting performance if used in accordance with these instructions.

The following symbols are used throughout these instructions.



Denotes risk of personal injury, loss of life or damage to the tool in case of non-observance of the instructions.



Refer to the instruction manual of your power tool.

This unit must not be put into service until it has been established that the power tool to be connected to this unit is in compliance with 98/37/EC (identified by the CE marking on the power tool).

INTENDED USE

This accessory is intended to be used with minimum 600 watt corded drill with 13mm (1/2") chuck and side handle to drill access holes in 18mm (0.708") or 22mm (7/8") thickness chipboard floors.

Size:

Hole diameter 102mm (4").

SAFETY

Please read and understand the safety points at end of this instruction as well as the power tool instructions before use.

PLEASE KEEP THESE INSTRUCTIONS IN A SAFE PLACE.

The attention of UK users is drawn to The Provision and Use of Work Equipment Regulations 1998, and any subsequent amendments.

Users should also read the HSE/HSC Safe Use of Woodworking Machinery Approved Code of Practice and Guidance Document and any amendments.

Users must be competent in using woodworking equipment before using this product.

ITEMS REQUIRED

- Minimum 600 watts corded drill with 13mm (1/2") chuck and side handle.
- Hand tools.



Recommended speed 1500 rpm.



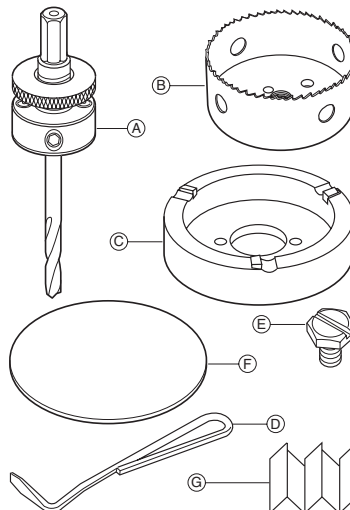
Please refer to Building Regulations Approved Document B, and any amendments before use of this accessory.



Recommended that this accessory is not used with a braked drill. Always ensure the arbor pins are engaged in hole saw body when in use.

ITEMS ENCLOSED & DESCRIPTION OF PARTS

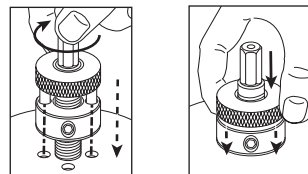
- Hole saw heavy-duty arbor with pilot drill bit **x1**
- 102mm diameter hole saw **x1**
- Rebate cutter body with TC tips **x1**
- Waste removal tool **x1**
- Machine screw **x2**
- Steel covers 102mm diameter **x5**
- Instructions **x1**



ASSEMBLY

Setting up the Cavity Access System Drill

- Check machine screws that join the rebate cutter body to the hole saw are tight. If loose use a 14mm A/F spanner or large flat head screwdriver to tighten.
- Check pilot drill bit is held securely in hole saw arbor. Tighten with 4mm A/F hex key (not included) if necessary.
- Pull knurled barrel of arbor backwards so the pins on the arbor are retracted.
- Fit arbor into hole saw and rebate cutter assembly, by turning arbor clockwise. Thread the arbor until the arbor touches the back of the hole saw, then unwind arbor slightly until the two holes in the hole saw align with the pins in the arbor.
- Push knurled barrel forward so the pins engage in the holes. (The pins on the arbor allow the hole saw to be easily removed and to keep hole saw attached to arbor). Ensure the pins are engaged before and during use (See below).



If pins are not engaged in body, the body could come loose from the arbor.

ENVIRONMENTAL PROTECTION

Recycle raw materials instead of disposing as waste.

Packaging should be sorted for environmental-friendly recycling.

The product and its accessories at the end of its life should be sorted for environmental-friendly recycling.

GUARANTEE

All Trend products guaranteed against any defects in either workmanship or material, except products that have been damaged due to improper use or maintenance.

© Trend Machinery & Cutting Tools Ltd. 2010 E&OE

® All trademarks acknowledged

Patent No. GB2371506

US Patent No. US6,893,194

Trend Machinery & Cutting Tools Ltd.

Odhams Trading Estate St Albans Road

Watford WD24 7TR England

Tel: 0044(0)1923 249911

technical@trendm.co.uk

www.trend-uk.com



RS 28982
Stockholding
& Supply



RECYCLABLE

Setting up the Drill

- Isolate drill from power supply.
- Fit side handle to drill.
- Fit arbor with Cavity Access System assembly fitted into drill chuck following drill manufacturers instructions.
- Ensure the flats on the shank of the arbor align with the jaws on the drill.

OPERATION



Before use, ensure the drilling area for the Cavity Access System is clear of cables, pipes, joists, nails, staples etc.

For Flooring

- Locate a suitable position for the Cavity Access System away from cables, pipes and joists. Ensure area is clear of nails, etc.
- Plug in drill to power supply.
- Place the pilot drill bit of Cavity Access System on flooring board, hold drill perpendicular (at 90°) to floor and switch on.
- Ensure both hands are holding the drill.
- Using a medium drilling speed slowly begin to drill into the flooring board, the pilot drill will bore into the flooring board, followed by the hole saw, then finally the rebate cutter.



Ensure full control of the drilling operation is maintained, and ensure drill is kept perpendicular to flooring board, especially between the transitions from pilot drill to hole saw to rebate cutter.

- Continue drilling until the body of the rebate cutter will not cut any deeper (rebate cutter will create a 2mm deep rebate). Stop drilling and remove drill with Cavity Access System from hole.
- Check hole is rebated around perimeter, by placing a cover plate into the hole to check. If rebate depth not equal, place tool back into hole and continue the cut.



Please note it is acceptable if the cover plate is slightly proud in the hole.

- Switch off drill and unplug from power supply.
- Remove the waste piece from the hole saw using the waste removal tool.
- Pull through cable or connect feed etc.
- Once complete apply silicon sealant to rebate edge perimeter, and place cover plate into hole.
- Repeat for other holes.

For Plasterboard

- Follow the same procedure for flooring.



Drilling the plasterboard will create considerable dust so goggles and a dust mask must be worn.



The paper face on the plasterboard may tear slightly during this operation.

- Once complete use a stapler to staple the mesh into the rebate.
- Apply a skim coat of plaster over the mesh.



The rebate cutter will need more frequent cleaning as the paper on the plasterboard can clog the gullet.

Dismantling Cavity Access System

- Ensure drill is isolated from power supply.
- Remove tool from chuck of drill.
- Pull back the knurled barrel of the arbor so the pins exit the holes in the hole saw.
- Remove the arbor from the hole saw by screwing arbor anti-clockwise.
- Clean tools following maintenance procedure and return tools to carry case.

TIPS FOR USE

- Check that there are no pipes, cables, etc under floor when drilling.
- Remove nails in path of tool before drilling
- Let the drill do the work, do not overload.
- Use a medium drilling speed for optimum results.
- Always seal the steel cover plates with silicon sealant.
- Always use a corded drill rated at 600 watts or above.
- Always use a drill with a side handle.
- Remove waste piece from hole saw with removal tool immediately. The hole saw will get hot in use and upon cooling will contract on waste piece making removal more difficult.

ACCESSORIES/SPARES

Ref. CAS/SC/5

Steel cover plates (pack of 5).

Ref. CAS/PC/5

Plasterboard cover (mesh) plates (pack of 5).

Ref. CAS/A/SDS

Heavy duty SDS+ arbor with drill bit. For use in SDS+ drills with hammer stop.

SPARE PARTS

Only use original Trend spare parts.

Item	Qty	Desc.	Ref. (1 off)
A	1	Heavy Duty Arbor UNF5/8-18 with 6.35mm Drill	WP-CAS/01
	1	Arbor Drill Bit 6.35mm Dia.	WP-CAS/02
B	1	Hole Saw 102mm Dia.	WP-CAS/03
D	1	Waste Removal Tool	WP-CAS/04
E	2	M/C Screw Hex M8 x 12mm Slot	WP-CAS/05
F	1	Steel Covers 102mm Dia. (Pk5)	CAS/SC/5
	1	Carry Case	CASE/CAS
G	1	Instructions	INST/CAS

MAINTENANCE

The accessory has been designed to operate over a long period of time, with the minimum amount of maintenance. Continual satisfactory operation depends upon proper tool care and regular cleaning.

Cleaning

- Ensure clamping surfaces on arbor are cleaned to remove dirt, grease and oil.
- Regularly clean tooling with a soft cloth.
- Regularly clean gullets of the rebate cutter.

Lubrication

- Occasionally apply oil between the arbor body and the knurled barrel.

Storage

- Return tooling to its packaging after use.

Safety Points

1. Disconnect drill and attachment from power supply when not in use, before servicing, when making adjustments and when changing accessories such as cutters. Ensure switch is in "off" position and cutter has stopped rotating.
2. Read and understand instructions supplied with drill, attachment and cutter.
3. Current Personal Protective Equipment (PPE) for eye, ear and respiratory protection must be worn. Keep hands, hair and clothes clear of the cutter.
4. Before each use check cutter is sharp and free from damage. Do not use if cutter is dull, broken or cracked or if any damage is noticeable or suspected.
5. The maximum speed (nmax) marked on tool or in instructions or on packaging shall not be exceeded. Where stated, the speed range should be adhered to.
6. Keep hands, hair and clothing clear of the cutter at all times.
7. Check all fixing and fastening nuts, bolts and screws on drill, attachment and cutting tools are correctly assembled, tight and to correct torque setting before use.
8. Ensure all visors, guards and dust extraction is fitted.
9. Ensure material is securely clamped when using a drill.
10. Do not switch drill on with the cutter touching the workpiece.
11. Trial cuts should be made in waste material before starting any project.
12. Repair of tools is only allowed according to tool manufacturers instructions.

Please see www.trend-uk.com/safety for more safety advice.



Our policy of continuous improvements mean that specifications may change without notice. Trend Machinery & Cutting Tools Ltd. cannot be held liable for any material rendered unusable, or for any form of consequential loss.