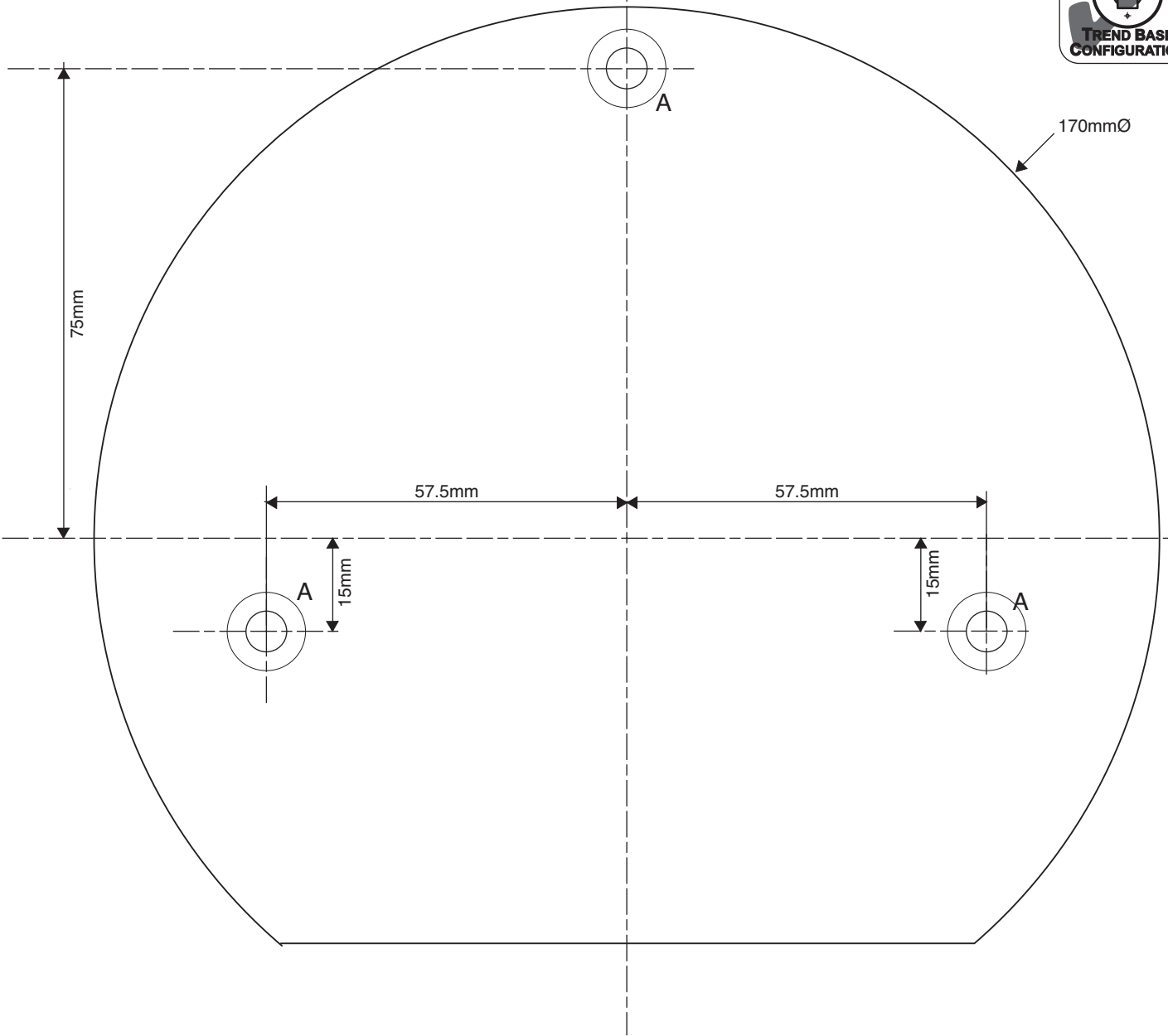
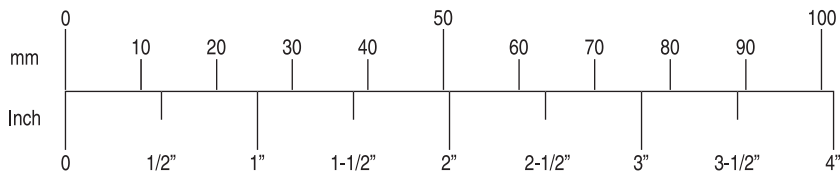


# TBC - TREND BASE CONFIGURATION HOLE POSITION DIAGRAM



T11 base shown.



© Trend Machinery & Cutting Tools Ltd. 2010 E&OE

Note: When printing please ensure size is set to 100%.  
Check scale above against a rule to check the printout is correct  
before using the plan.

