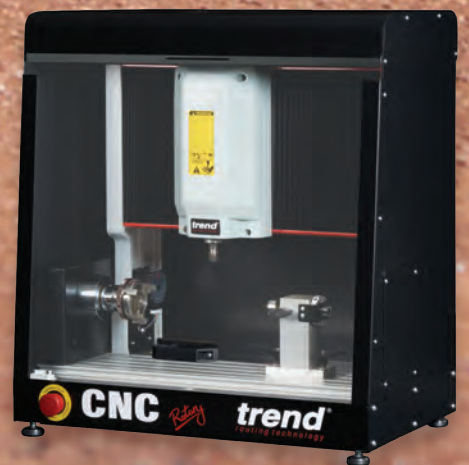
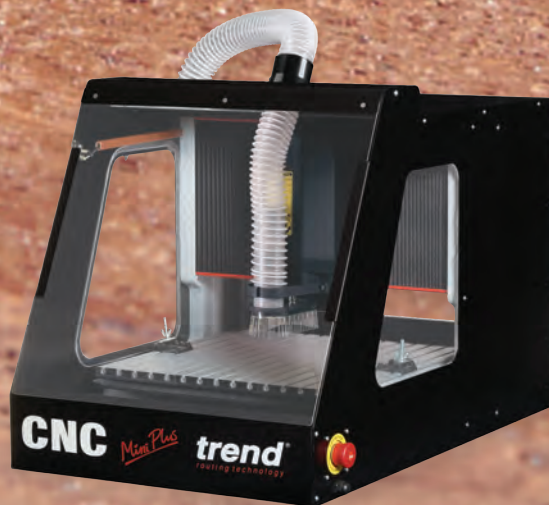


trend[®]
routing technology

CNC MINI

COMPUTER CONTROLLED
ROUTING TECHNOLOGY



COMPACT DESKTOP MACHINES TO SUIT EVERYONE

Release your Inner Creative Self with the Trend CNC Mini Range of Machines

- **Aimed At**

Beginners with no CNC experience, the easy to learn software is straightforward to use. Ideal for schools, colleges, hobbyists, model makers, light engineering and small business projects.

- **Creativity**

Produce multiple high quality items in a short time using a wide variety of woods and synthetic materials.

- **Accuracy**

Capable of machining complex 3D models and photographs on plastic.

- **Safety**

Compliant with requirements of EN 848 Part 3, the automated machine does all the work behind a guarded cover. Protected with micro switches which activate when the cover is opened, immediately powering down the cutter and machine movement.

- **Portable**

Compact design that can be easily moved from place to place. They can be used in a small workshop, garage or any limited space.

- **Software**

Two packages. The basic software CNC Edit with its simple interface, ideal for students being introduced to CNC machining. Also included is the Vectric VCarve Desktop software allowing full control of the cutter movements giving higher quality results in minimal time. Requires a PC running Windows XP or upwards.

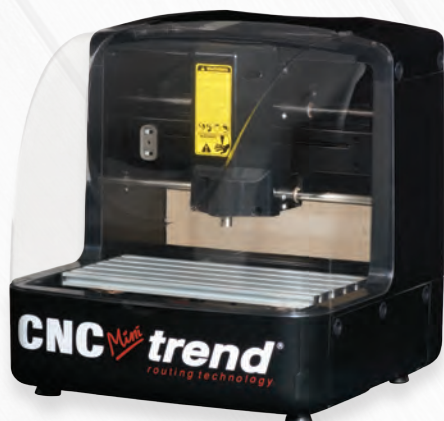


The CNC/MINI/1 is ideal for school and colleges with limited workspace.



The CNC/MINI/2 is a workbench machine offering a larger work area where space is not so limited.

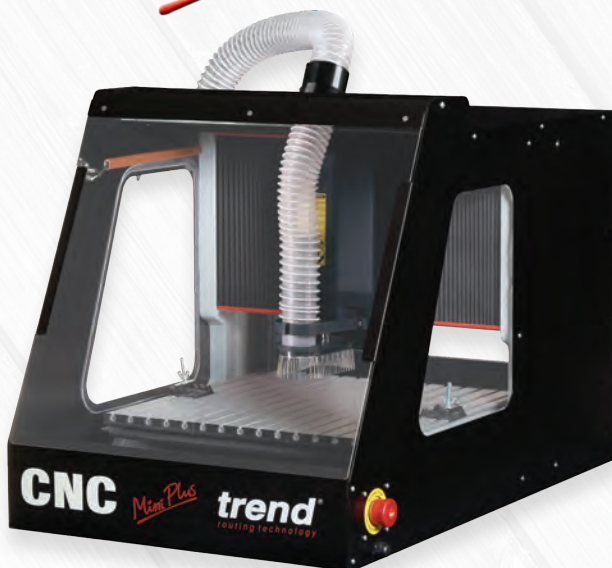
CNC Mini



The latest engraving machine for 2D and 3D engravings, photo images and routing projects.

- Lightweight with a fully guarded dust cover for safety.
- Ideal for use with wood and acrylic to create highly detailed carvings. Use images from digital photos, CAD drawings, computer generated art programs.
- Supplied with CNC Edit and VCarve software.
- Upgrade to ER11 collet to give 1/4", 4mm & 1/8" capacity.

CNC Mini Plus



The same features as CNC/MINI/1 with a larger cutting area.

- Steel protective casing, fully guarded safety dust cover and emergency stop button making it ideal for education.
- Brushless 150 watt DC motor for low noise and durability with 1/8", 4mm and 1/4" collet capacity.
- Supplied with CNC Edit and VCarve software.
- Built-in dust extraction port.

SPECIFICATIONS:

	CNC/MINI/1	CNC/MINI/2
Table size	320mm x 150mm	450mm x 440mm
Table load weight	max. 2kg	max. 3kg
Cutting area	220mm x 160mm	300mm x 300mm
Max. movement	X-axis 220mm, Y-axis 160mm, Z-axis 63mm	X-axis 300mm, Y-axis 300mm, Z-axis 100mm
Max. material thickness	60mm	100mm
Engraving speed	40 - 2500mm/min	40 - 2500mm/min
Resolution	0.05mm	0.02mm
Power supply	input 220-240v, output DC 24v 4.5A	input 220-240v, output DC 24v 4.5A
Spindle motor	80w DC	150w DC
Power consumption	2.0A	2.0A
Collet capacity only	4mm	1/8", 4mm & 1/4"
Operating noise level (standby)	39.6dB (A)	39.6dB (A)
No loading operation noise	< 66dB (A)	< 66dB (A)
Spindle speed	15000 rpm	0-17000 rpm
Interface	USB 2.0	USB 2.0
Machine size	390 x 400 x 425mm	870 x 610 x 560mm
Weight	14.9kg	54.5kg

INCLUDE:

1 x USB 2.0 cable
 1 x Bravo CNC Edit Software disk
 1 x Vetric VCarve Desktop Software USB
 1 x Workpiece clamp set (2 large & 2 small clamps)
 1 x USB controller
 1 x Support board

1 x Silicone mat
 1 x Ball nose carving bit R0.5mm - Ref. S66/4X4MMSTC
 1 x Radius carving bit R0.5mm - Ref. S66/2X4MMSTC
 1 x Zeroing point paper
 1 x Hex key 2.5mm A/F



trend-uk.com/video

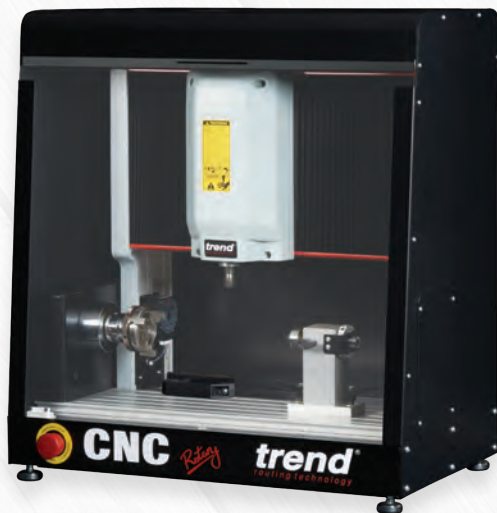


CNC/MINI/1 £1,725.00

CNC/MINI/2 £2,380.00

All prices are Ex.VAT

CNC Rotary



Desktop cylinder CNC router designed for small woodworking projects, ornaments and tiny furniture.

- Ideal for home workshops and classrooms.
- Use with hardwoods, softwoods, exotic woods and many synthetic materials, modelling wax, styrene and epoxy board.
- Endless creative possibilities, it uses CAD drawings, computer generated art programs and scanned images.
- Supplied with CNC Edit and VCarve software.

SPECIFICATIONS:

Table load weight	max. 5kg	
Clamping diameter:	fixed thimble	max. \varnothing 200mm
	jaw chuck inner: \varnothing 2mm - 16mm & \varnothing 25mm - 60mm	
	Outer: \varnothing 22mm - 55mm	
Working length	300mm	
Max. engraving speed	40-2500 mm/min	
Software resolution	0.02mm	
Repositioning accuracy	0.1mm	
Spindle motor	150W DC Brushless Motor	
Spindle speed	0 - 17,000 RPM.	
Tool diameter	ER11 Collet - 4mm & 1/4"	
Interface	USB 2.0	
Power supply	input: 220-240v, output: DC 24v 6.5A	
Power consumption	2.0A	
Operating noise level (stand by)	39.6 dB(A)	
No-loading operation noise	<66 dB(A)	
Machine size	635 x 366 x 610mm	
Weight	42kg	

INCLUDES:

- 1 x USB 2.0 cable, 1 x USB controller
- 1 x 3 Jaw chuck
- 1 x Bravo CNC Edit Software disk
- 1 x Vectric VCarve Desktop Software USB
- 1 x Fixed thimble holder
- 1 x Radius carving bit R0.5mm - Ref. S66/2X4MMSTC



trend-uk.com/video

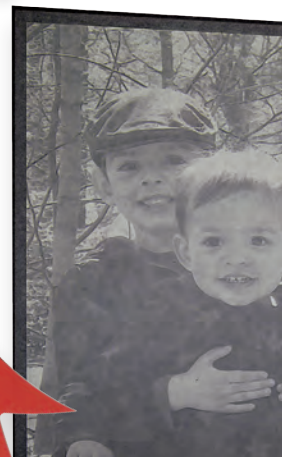
CNC/ROT/1 £4,760.00

All prices are Ex.VAT

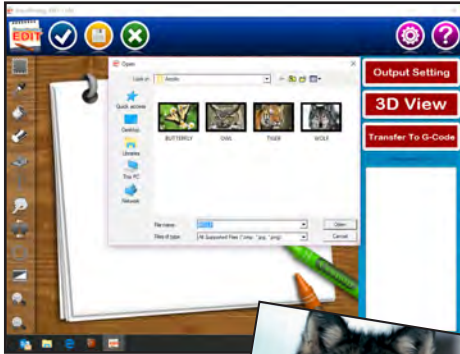
Inspiration



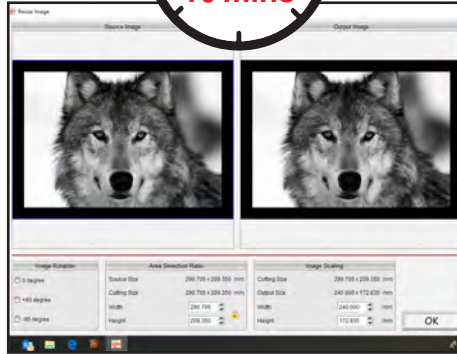
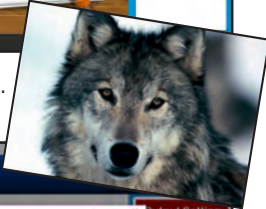
Everyday
is a
learning
day



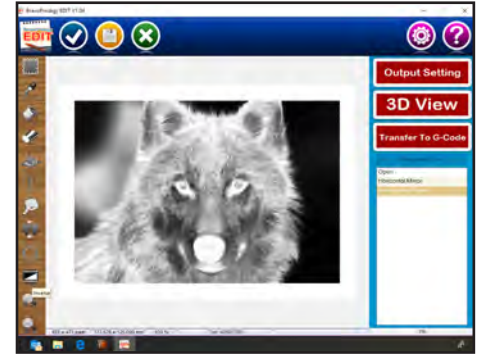
Set Up & Machining in with Bravo Software



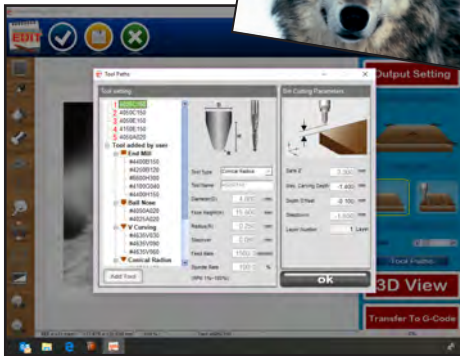
Step 1 Select a picture.



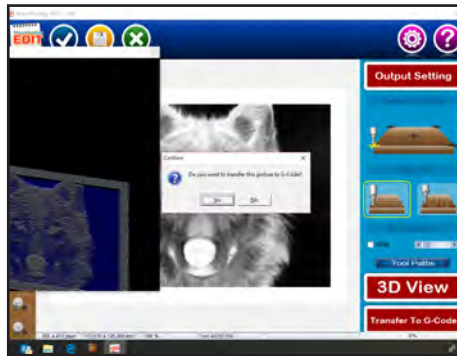
Step 2 Resize picture to suit workpiece.



Step 3 Mirror and invert.



Step 4 Choose cutting tool.



Step 5 Convert to machine code.



Step 6 Start the cut.



The final cut on sepia Acrylic.



Upgraded Vectric Software also available

VCarve Desktop by Vectric provides a powerful, intuitive software solution for cutting on a CNC Router.

Includes the functionality demanded for complex work while remaining incredibly easy to use. It is used by cabinet makers, woodworkers, signmakers, prop makers, plastic fabricators, hobbyists and many other applications.

- Full range of toolpath strategies.
- Use the built in CAD package or import files from other software.
- Has the functionality to do very complicated work with ease.
- Can be used for Rotary Design.

Bravo compared to Vectric



Bravo Software - Standard finish. Machining time - 3 hours



Vectric Software - High quality finish. Fast machining time - 6 minutes

"The CNC/MINI/1 is an invaluable piece of kit for use with our Key Stage 4 and 5 students, allowing them to understand the practical aspects of CAD/CAM and manufacturing. The machine is very safe to use and fully guarded. Trend provide us with excellent support and back up along with a wide selection of tooling for use with the machine."

Gary Ball, Head of IT
Ilfracombe Academy

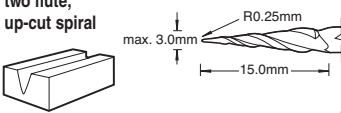
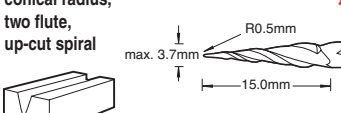
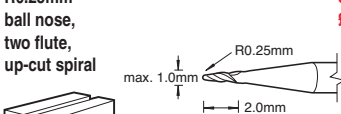

"The portability of the CNC/MINI/1 has meant that we are able to take a demonstration of our product, which can be designed and then cut on the machine to the customer or to an exhibition. This has given our business a great advantage over our competitors."

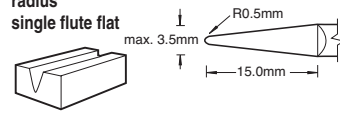
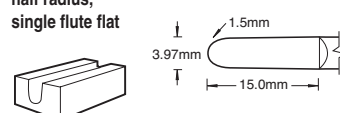
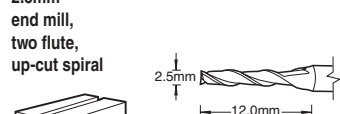
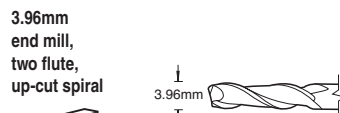
Joe Carty MD Replicade Ltd

Router Cutters

Mini Engravers

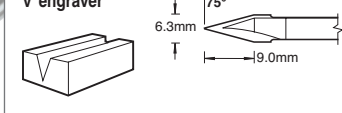
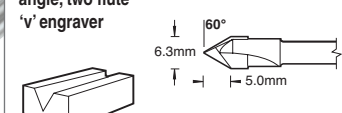
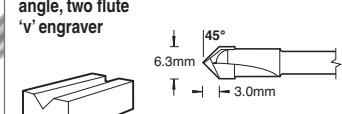
STC SOLID TUNGSTEN CARBIDE

Description	Dimensions (not to scale)	Product Ref.
R0.25mm conical radius, two flute, up-cut spiral		S66/1X4MMSTC £27.93
R0.5mm conical radius, two flute, up-cut spiral		S66/2X4MMSTC £27.93
R0.25mm ball nose, two flute, up-cut spiral		S66/3X4MMSTC £27.93
R0.5mm ball nose, two flute, up-cut spiral		S66/4X4MMSTC £27.93

Description	Dimensions (not to scale)	Product Ref.
R0.5mm half conical radius single flute flat		S66/5X4MMSTC £21.22
R1.5mm half radius, single flute flat		S66/6X4MMSTC £21.22
2.5mm end mill, two flute, up-cut spiral		S66/10X4MMSTC £16.74
3.96mm end mill, two flute, up-cut spiral		S66/11X4MMSTC £16.74

Mini V-Groove Engravers

TCT TUNGSTEN CARBIDE TIPPED

Description	Dimensions (not to scale)	Product Ref.
30° included angle, two flute 'v' engraver		CNCM/1X4MMTC £12.02
60° included angle, two flute 'v' engraver		CNCM/2X4MMTC £12.02
90° included angle, two flute 'v' engraver		CNCM/3X4MMTC £12.02

All prices are Ex.VAT

More cutters are available, for details visit www.trend-uk.com

trend
routing technology

Trend Machinery & Cutting Tools Ltd.
Odhams Trading Estate St. Albans Road
Watford WD24 7TR England.
© All trademarks acknowledged.
© Copyright Trend 2018

Technical Support _____ 01923 249911
John Tigg Mobile _____ 07802 247350
Fax _____ 01923 228657
Email _____ tiggj@trendm.co.uk
Web _____ www.trend-uk.com

Demonstrations
Contact John Tigg

WMSA
WOODWORKING MACHINERY SUPPLIERS ASSOCIATION
FULL MEMBER

LEAF/CNC/MINI V3