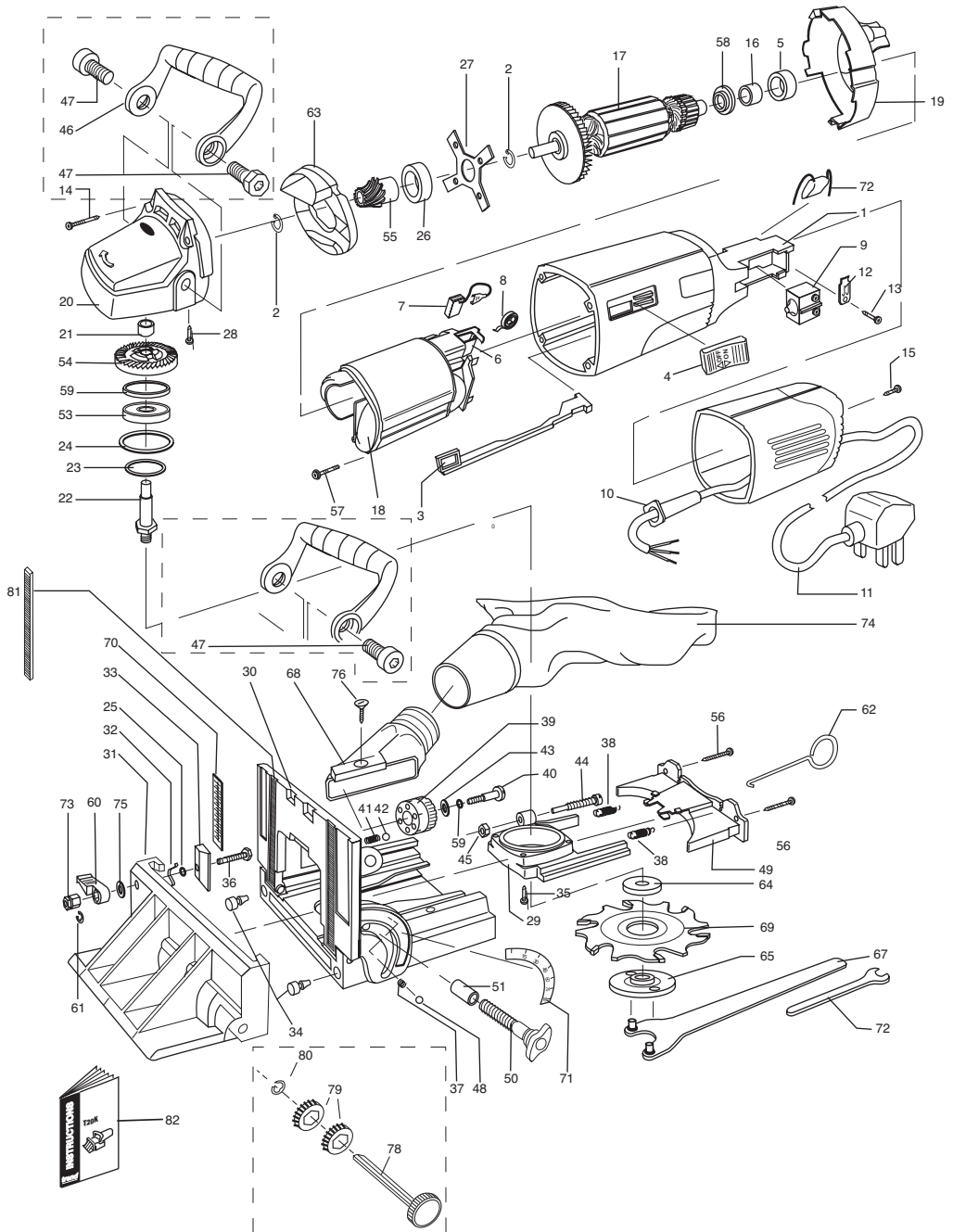


T20 - SPARE PARTS DIAGRAM

v4.0 04/2013



Please use only Trend original spare parts.

T20 - SPARE PARTS LIST			v4.0 04/2013
No.	Qty.	Desc.	Ref.
1	1	Motor Housing c/w Vent Cover	WP-T20/001A
2	1	Circlip	WP-T20/002A
3	1	Switch Control Lever	WP-T20/003A
4	1	On/Off Switch Button	WP-T20/004A
5	1	Rubber Washer	WP-T20/005A
6	2	Brush Holder	WP-T20/006A
7	1	Carbon Brush (1 pair)	WP-T20/007A
8	2	Brush Spring	WP-T20/008A
9	1	Switch & Condenser	WP-T20/009A
10	1	Cable Guard	WP-T20/010A
11	1	Cable 2 Core with Plug 230V UK T20	WP-T20/011
	1	Cable 2 Core with Plug 110V UK T20L	WP-T20L/011
12	1	Cable Clamp	WP-T20/012A
13	1	Screw Self Tapping 3.5mm x 14mm Pozi	WP-T20/013
14	4	Screw Self Tapping 4mm x 30mm Pozi	WP-T20/014
15	1	Screw Self Tapping 4mm x 20mm Pozi	WP-T20/015
16	1	Bearing 607ZZ	WP-T20/016A
17	1	Armature with Fan 230V T20	WP-T20/017A
		Armature with Fan 110V T20L	WP-T20L/017A
18	1	Field 230V T20	WP-T20/018A
	1	Field 110V T20L	WP-T20L/018A
19	1	Deflector	WP-T20/019A
20	1	Gear Box	WP-T20/020A
21	1	Bush	WP-T20/021A
22	1	Spindle M10 x 1.5mm > 06/2011	WP-T20/022B
23	1	Ring < 06/2011	WP-T20/023A
25	1	Rubber Washer	WP-T20/025A
26	1	Nose Bearing 9mm x 24mm x 7mm 609ZZ	WP-T20/026
27	1	Nose Bearing Cover	WP-T20/027A
28	1	Screw Self Tapping 4mm x 25mm Pozi	WP-T20/028
29	1	Sliding Plate < 06/2011	WP-T20/029A
	1	Sliding Plate > 06/2011	WP-T20/029B
30	1	Base Casting > 01/2008 < 06/2011	WP-T20/030A
	1	Base Casting > 06/2011	WP-T20/030B
31	1	Sliding Angle Plate < 06/2011	WP-T20/031A
32	1	Spring Clip < 06/2011	WP-T20/032A
33	1	Base Flange Clamp	WP-T20/033A
34	1	Rubber Anti Slip Studs	WP-T20/034A
35	1	Screw Self Tapping 3.5m x 10mm Pozi	WP-T20/035
36	1	Set Screw M5 x 20mm Hex	WP-T20/036
37	1	Spring For Tilt Base Lock	WP-T20/037A
38	2	Spring 7mm x 37mm	WP-T20/038A
39	1	Revolving Turret Stop	WP-T20/039A
40	1	Screw For Revolving Stop	WP-T20/040A
41	1	Spring 5mm x 1mm	WP-T20/041A

T20 - SPARE PARTS LIST			v4.0 04/2013
No.	Qty.	Desc.	Ref.
42	1	Ball For Revolving Stop	WP-T20/042A
43	1	Washer	WP-T20/043A
44	1	Stop Screw For Revolving Stop	WP-T20/044A
45	1	Nut Hex M5	WP-NUT/05
46	1	Handle < 12/2007	WP-T20/046
	1	Handle > 01/2008	WP-T20/046A
47	2	Machine Screw Cap M8 x 18mm Skt < 12/2007	WP-SCW/67
	2	Machine Screw Dome M8 x 12mm Skt > 01/2008	WP-T20/47
48	1	Ball For Tilt Base Lock	WP-T20/048A
49	1	Slider Rear Cover	WP-T20/049A
50	1	Knob Male M6 X 30mm	WP-T20/050A
51	1	Bush for Tilt Base	WP-T20/051A
52	-	-	-
53	1	Bearing 12mm x 32mm x 10mm 6201-2RS	WP-T20/053
54	1	Pinion Gear	WP-T20/054A
55	1	Gear	WP-T20/055A
56	1	Screw M4 x 10mm Pozi	WP-SCW/68
57	1	Screw Self Tapping 3.6mm x 25mm Pozi	WP-T20/057
58	1	Ring 32mm	WP-T20/058A
59	1	Ring 32 Din 472	WP-T20/059A
60	1	Sliding Angle Plate Lever < 06/2011	WP-T20/060A
	1	Sliding Angle Plate Lever > 06/2011	WP-T20/060B
61	1	Circlip	WP-T20/061A
62	1	Spring Hook	WP-T20/062
63	1	Deflector	WP-T20/063A
64	1	Blade Support Flange	WP-T20/064
65	1	Blade Locking Flange	WP-T20/065
66	-	-	-
67	1	Spanner 2 Pin 32mm x 6mm	WP-T20/067
68	1	Dust Spout 28mm OD	WP-T20/068
69	1	Blade 100mm x 22mm x 4mm Thin Body 6T TCT/HW	CR/BJB100T
70	2	Vertical Scale Label	WP-T20/070
71	1	Degree Scale Label	WP-T20/071
72	1	Spanner 8mm A/F	WP-SPAN/8
73	1	Special Nut Hex M4 < 06/2011	WP-T20/073
	1	Special Nut Hex M4 > 06/2011	WP-T20/073B
74	1	Dust Bag	WP-T20/074
75	1	Joint Ring < 06/2011	WP-T20/075A
	1	Joint Ring > 06/2011	WP-T20/075B
76	1	Machine Screw Csk M4 x 8mm Pozi	WP-SCW/54
77	1	Spring	WP-T20/077A
78	1	Pinion Knob > 06/2011	WP-T20/078B
79	1	Gear Pinion > 06/2011	WP-T20/079B
80	1	Circlip > 06/2011	WP-T20/080B
81	1	Rack > 06/2011	WP-T20/081B
82	1	Manual	MANU/T20