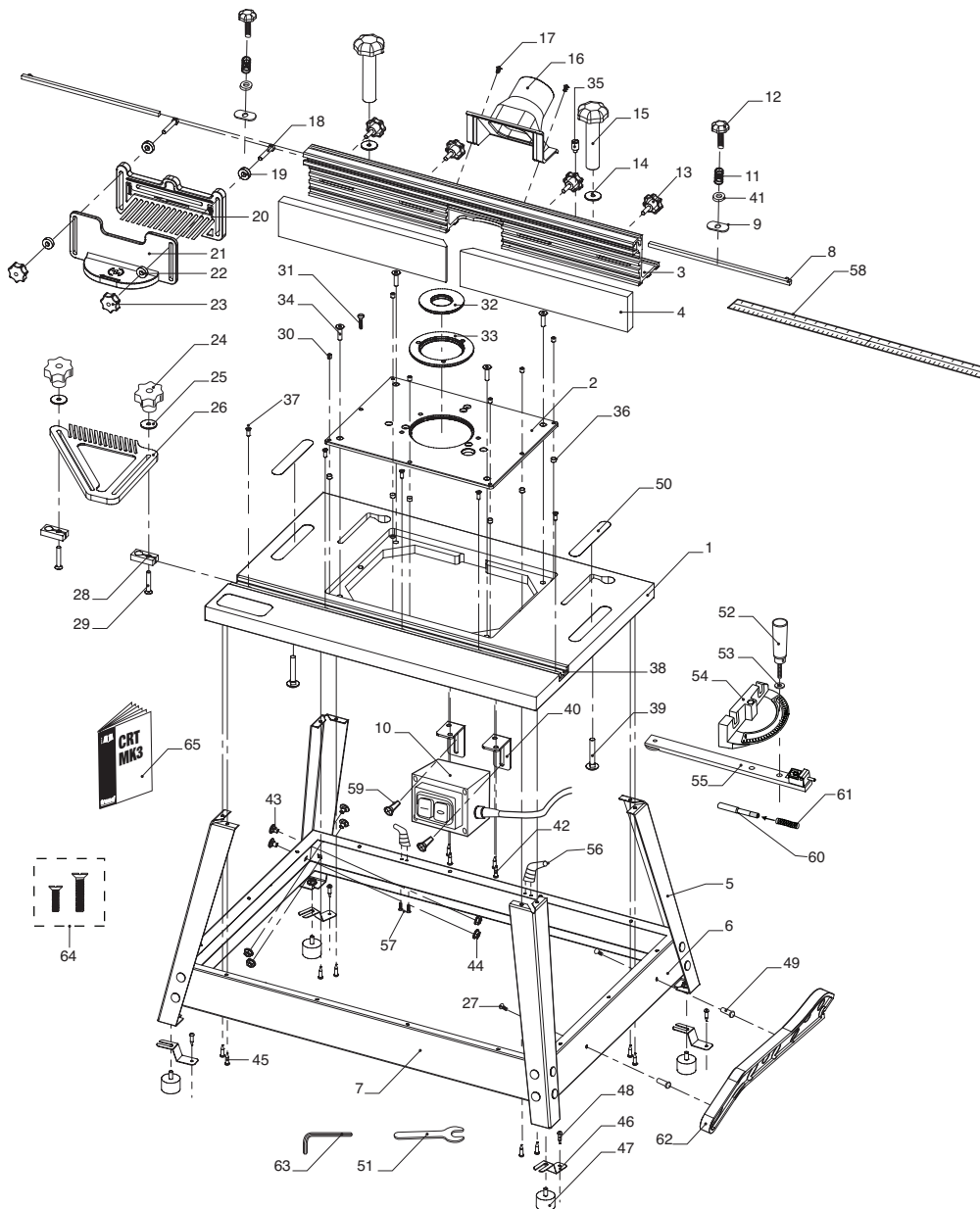


**CRT/MK3 - SPARE PARTS DIAGRAM**

v1.0 03/2011



Please use only Trend original spare parts.

<b>CRT/MK3 - SPARE PARTS LIST</b>			<b>v1.0 03/2011</b>
<b>No.</b>	<b>Qty.</b>	<b>Desc.</b>	<b>Ref.</b>
1	1	Table Top	WP-CRTMK3/01
2	1	Insert Plate	WP-CRTMK3/02
3	1	Back Fence	WP-CRTMK3/03
4	2	Fence Cheek	WP-CRTMK3/04
5	4	Leg	WP-CRTMK3/05
6	2	Leg Rail Short	WP-CRTMK3/06
7	2	Leg Rail Long	WP-CRTMK3/07
8	2	Edge Planing Rod	WP-CRTMK3/08
9	2	T-Nut for Edge Planing Knob	WP-CRTMK3/09
10	1	No Volt Release Switch 240V UK Plug No Volt Release Switch 230V EURO Plug No Volt Release Switch 115V UK Plug	NVRS/2/240V NVRS/2/230V/E NVRS/2/115V
11	2	Spring for Edge Planing Knob	WP-CRTMK3/11
12	2	Knob for Edge Planing Assembly	WP-CRTMK3/12
13	4	Knob UNC 1/4 - 20 x 3/4" Male for Fence Cheek	WP-CRTMK3/13
14	2	Washer 8mm x 23mm x 2mm for Back Fence Knob	WP-CRTMK3/14
15	2	Back Fence Knob UNC 5/16 Female	WP-CRTMK3/15
16	1	Dust Spout	WP-CRTMK3/16
17	2	Machine Screw M4 x 8mm Pozi for Dust Spout	WP-CRTMK3/17
18	2	T Bolt UNC 1/4 - 20 x 1- 3/4" for Top Guard	WP-CRTMK3/18
19	2	Washer for T Bolt	WP-CRTMK3/19
20	1	Top Pressure	WP-CRTMK3/20
21	1	Top Guard	WP-CRTMK3/21
22	2	Washer Plastic for Top Guard	WP-CRTMK3/22
23	2	Knob UNC 1/4 - 20 Female for Plastic Guard	WP-CRTMK3/23
24	2	Knob for Side Pressure	WP-CRTMK3/24
25	2	Washer 8mm x 23mm x 2mm for Side Pressure Bolt	WP-CRTMK3/25
26	1	Side Pressure	WP-CRTMK3/26
27	2	Machine Screw for Pushstick Park	WP-CRTMK3/27
28	2	Plate for Side Pressure Bolt	WP-CRTMK3/28
29	2	Machine Screw Csk 1/4" x 1 9/16" Phillips	WP-CRTMK3/29
30	7	Set Screw M6 x 6mm for Fixing Plate	WP-CRTMK3/30
31	3	Machine Screw Csk M6 x 15mm Phillips	WP-CRTMK3/31
32	1	Insert Ring 31.8mm ID	WP-CRTMK3/32
33	1	Insert Ring 67.5mm ID	WP-CRTMK3/33
34	4	Machine Screw Csk M5 x 16mm Skt	WP-CRTMK3/34
35	1	Lead-on Pin	WP-CRTMK3/35
36	7	Magnet 8mm x 5mm	WP-CRTMK3/36
37	5	Self Tapping Screw for Mitre Fence Extrusion	WP-CRTMK3/37
38	1	Mitre Fence Extrusion	WP-CRTMK3/38
39	2	Coach Bolt UNC 5/16 x 2" Male for Back Fence	WP-CRTMK3/39
40	2	Switch Bracket	WP-CRTMK3/40

<b>CRT/MK3 - SPARE PARTS LIST</b>			<b>v1.0 03/2011</b>
<b>No.</b>	<b>Qty.</b>	<b>Desc.</b>	<b>Ref.</b>
41	2	Washer for Edge Planing Assembly	WP-CRTMK3/41
42	8	Self Tapping Screw Pan 4mm x 16mm Phillips	WP-CRTMK3/42
43	16	Machine Screw Carriage M6 x 10mm for Leg Frame	WP-CRTMK3/43
44	16	Nut Hex Flanged M6 for Leg Frame	WP-CRTMK3/44
45	8	Self Tapping Screw Pan 4mm x 19mm Phillips	WP-CRTMK3/45
46	4	Bench Mounting Bracket	WP-CRTMK3/46
47	4	Foot	WP-CRTMK3/47
48	4	Self Tapping Screw Pan 4mm x 19mm Phillips	WP-CRTMK3/48
49	2	Nut for Pushstick Park	WP-CRTMK3/49
50	2	Scale Label	WP-CRTMK3/50
51	1	Spanner Pressed Steel 10mm A/F	WP-CRTMK3/51
52	1	Mitre Fence Knob	WP-CRTMK3/52
53	1	Washer for Mitre Fence	WP-CRTMK3/53
54	1	Mitre Fence Body	WP-CRTMK3/54
55	1	Mitre Fence Rail and Index Head	WP-CRTMK3/55
56	2	Cable Management Clip	WP-CRTMK3/56
57	4	Self Tapping Screw Pan 4mm x 12mm Phillips	WP-CRTMK3/57
58	1	Back Fence Scale	WP-CRTMK3/58
59	2	Machine Screw Pan M6 x 16mm Phillips	WP-CRTMK3/59
60	1	Mitre Fence Location Pin	WP-CRTMK3/60
61	1	Mitre Fence Location Pin Spring	WP-CRTMK3/61
62	1	Pushstick	PUSHSTICK/1
63	1	Hex Key 3mm A/F	WP-AP/03
64	1	Router Screw Fixing Pack Csk	FIX/KIT/2
65	1	Manual	MANU/CRT/MK3