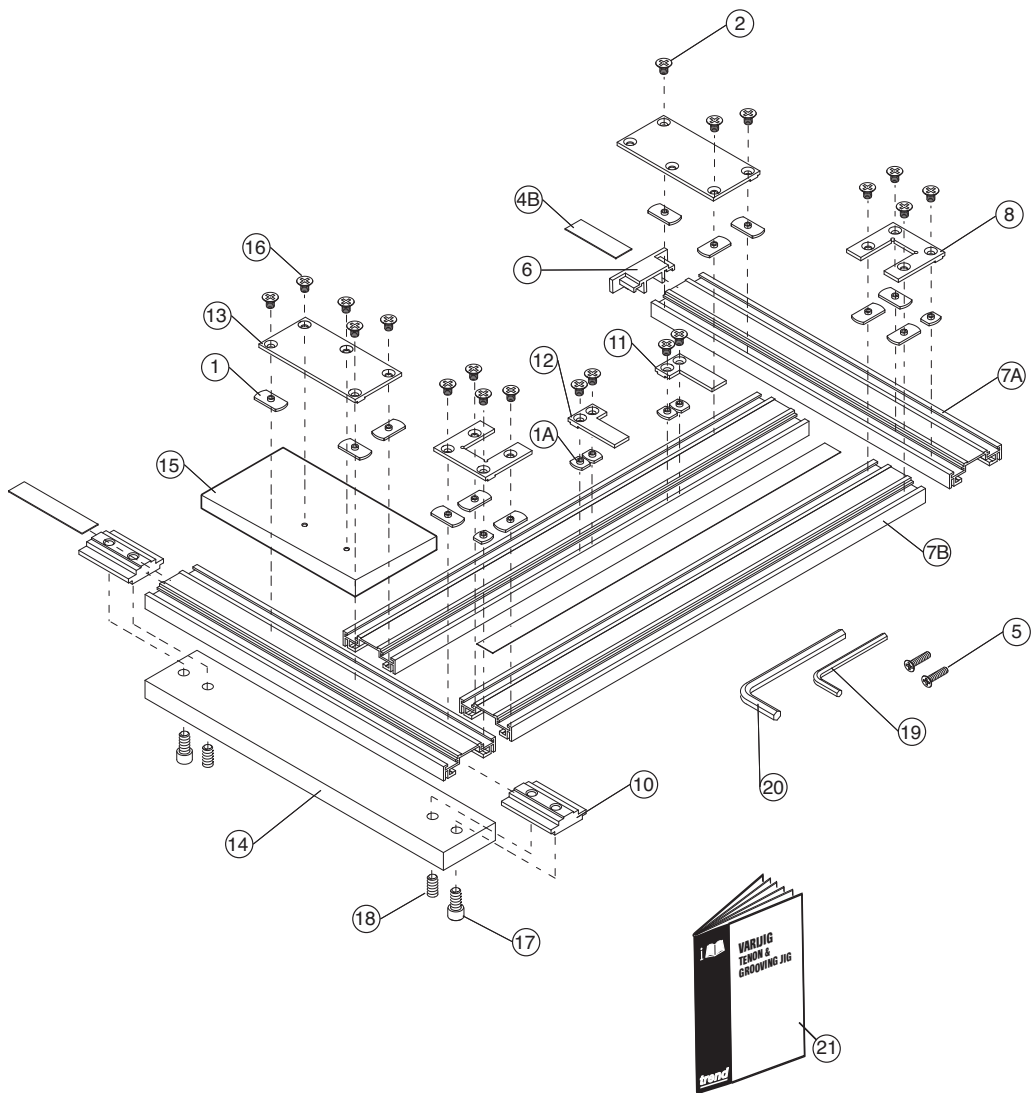


VJS/TG/JIG - SPARE PARTS DIAGRAM

v1.0 08/2007



VJS/TG/JIG - SPARE PARTS LIST			v1.0 08/2007
No.	Qty.	Desc.	Ref.
1	12	Varijig T-Nut M4	WP-VJS/01
1A	6	Varijig Short T-Nut M4	WP-VJS/01A
2	12	Varijig Machine Screw M4 x 6mm Csk Zinc	WP-VJS/02
3	6	Varijig Machine Screw M4 x 6mm Csk Black	WP-VJS/03
4A	1	Varijig Scale 400mm Metric/Imperial	WP-VJS/04A
4B	2	Varijig Scale 150mm Metric/Imperial	WP-VJS/04B
5	2	Machine Screw Csk M5 x 20mm Phillips	WP-SCW/86
6	1	Varijig End Cap for Extrusion	WP-VJS/06
7A	2	Varijig Alloy Extrusion 310mm	WP-VJS/07A
7B	2	Varijig Alloy Extrusion 430mm	WP-VJS/07B
8	2	Varijig Corner Frame	WP-VJS/08
9	-	-	-
10	2	Varijig Connector Block	WP-VJS/10
11	1	Varijig Right Hand Stop	WP-VJS/11
12	1	Varijig Left Hand Stop	WP-VJS/12
13	2	Varijig Squaring Plate	WP-VJS/13
14	1	Varijig Bottom Squaring Butt	WP-VJS/14
15	1	Varijig Clamping Plate	WP-VJS/15
16	2	Varijig Machine Screw M4 x 10mm Csk Black	WP-VJS/16
17	4	Varijig Machine Screw Skt UNC 5/16" x 5/8"	WP-VJS/17
18	2	Varijig Set Screw Skt UNC 5/16" x 5/8"	WP-VJS/18
19	1	Hex Key 4mm A/F	WP-AP/04
20	1	Hex Key 6mm A/F	WP-AP/06
21	1	Manual	MANU/VJS/TG