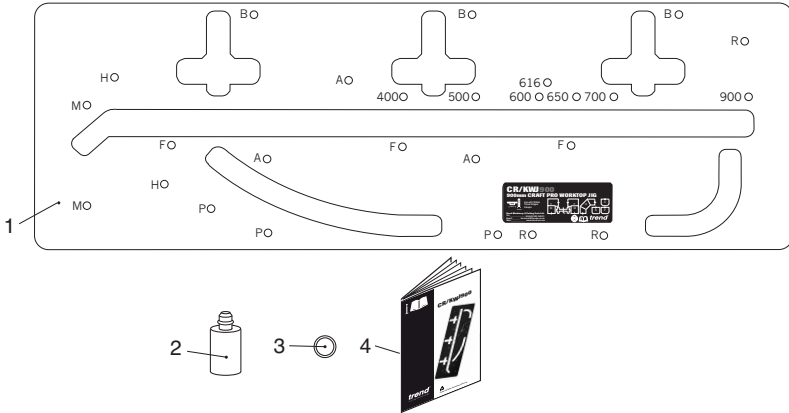


**CR/KWJ900 - SPARE PARTS DIAGRAM**

**v1.0 09/2011**

Please use only Trend original spare parts.



<b>CR/KWJ900 - SPARE PARTS LIST</b>			<b>v1.0 09/2011</b>
<b>No.</b>	<b>Qty.</b>	<b>Desc.</b>	<b>Ref.</b>
1	1	Craft Pro 900mm Worktop Jig	CR/KWJ900
2	3	Alloy Bush 20mm dia.	BUSH/600
3	0	Combi Jig 'O' Ring Set for Bushes (pack of 5)	CJ/ORS
4	1	Manual	MANU/CR/K900