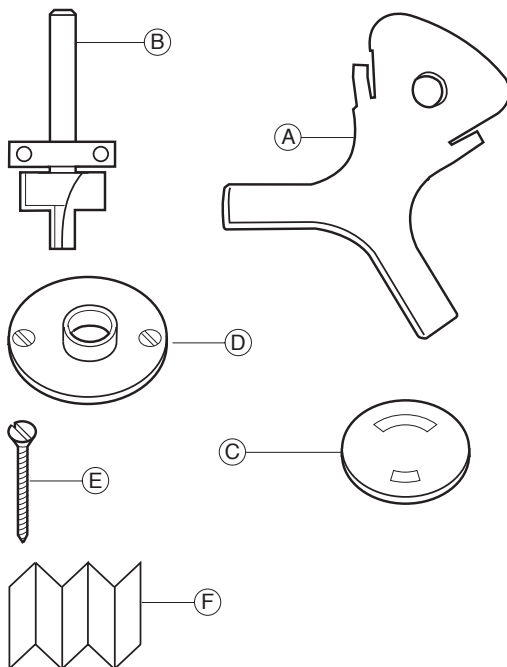


M/RBT/1 - SPARE PARTS DIAGRAM

V1.0 12/2009



Item	Qty	Desc.	Ref. (1 off)
A	1	Mini Routabout Template	M/RBT/PLATE
B	1	Cutter 18mm x 1/4" Shank TCT	RBT/CUT/1
		Cutter 18mm x 1/2" Shank TCT	RBT/CUT/2
		Cutter 22mm x 1/4" Shank TCT	RBT/CUT/3
		Cutter 22mm x 1/2" Shank TCT	RBT/CUT/4
C	1	Mini Rbt Cover (pack 10)	M/RBT/C/10
		Mini Rbt Cover (pack 100)	M/RBT/C/100
D	1	30mm Plastic Guide Bush	GB/30/P
E	1	4.0mm (No. 8) x 25mm Woodscrew Pozi	WP-SCW/100
F	1	Instructions	INST/M/RBT