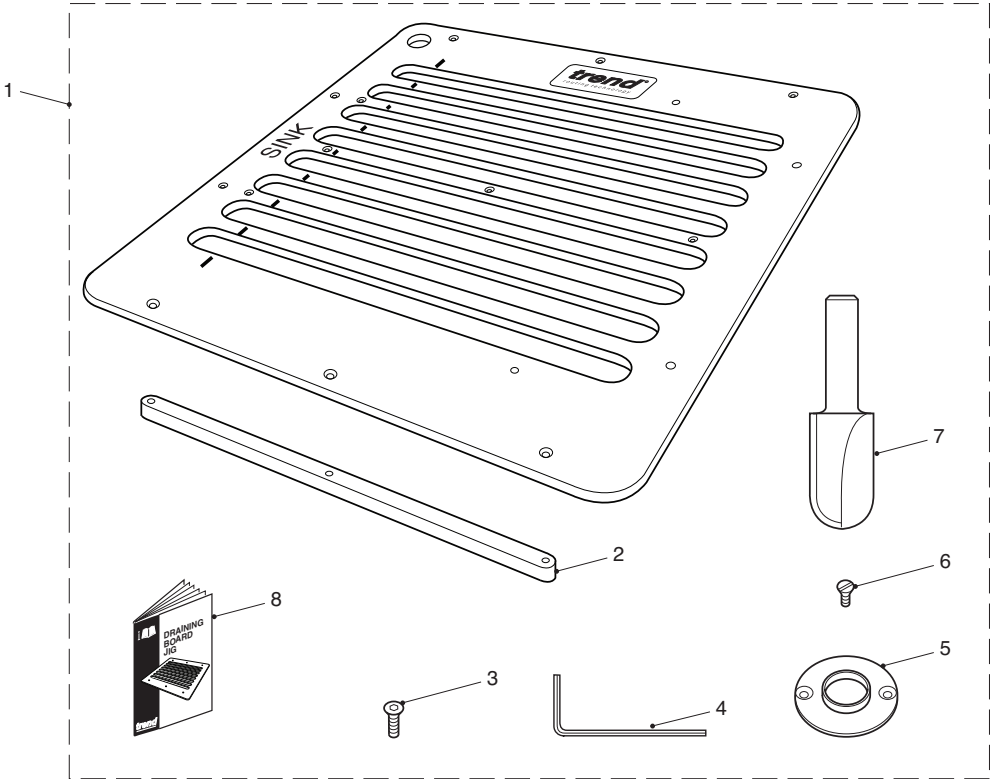


**DG/JIG - SPARE PARTS DIAGRAM**

**v1.0 08/2006**

Please use only Trend original spare parts.



<b>DG/JIG - SPARE PARTS LIST</b>			<b>v1.0 08/2006</b>
<b>No.</b>	<b>Qty.</b>	<b>Desc.</b>	<b>Ref.</b>
1	1	Draining Groove Jig	DG/JIG
2	1	Tapered Rail (pack of Three)	WP-DG/01
3	9	Machine Screw Csk M5 x 20mm Skt	WP-SCW/60
4	1	Hex Key 3mm A/F	WP-AP/03
5	1	Guide Bush 30mm x 6mm	GB30
6	2	Machine Screw Csk M5 x 8mm Slot	WP-SCW/09
7	1	Cove Cutter R9.5 x 32mm Cut	C056AX1/2TC
8	1	Manual	MANU/DG