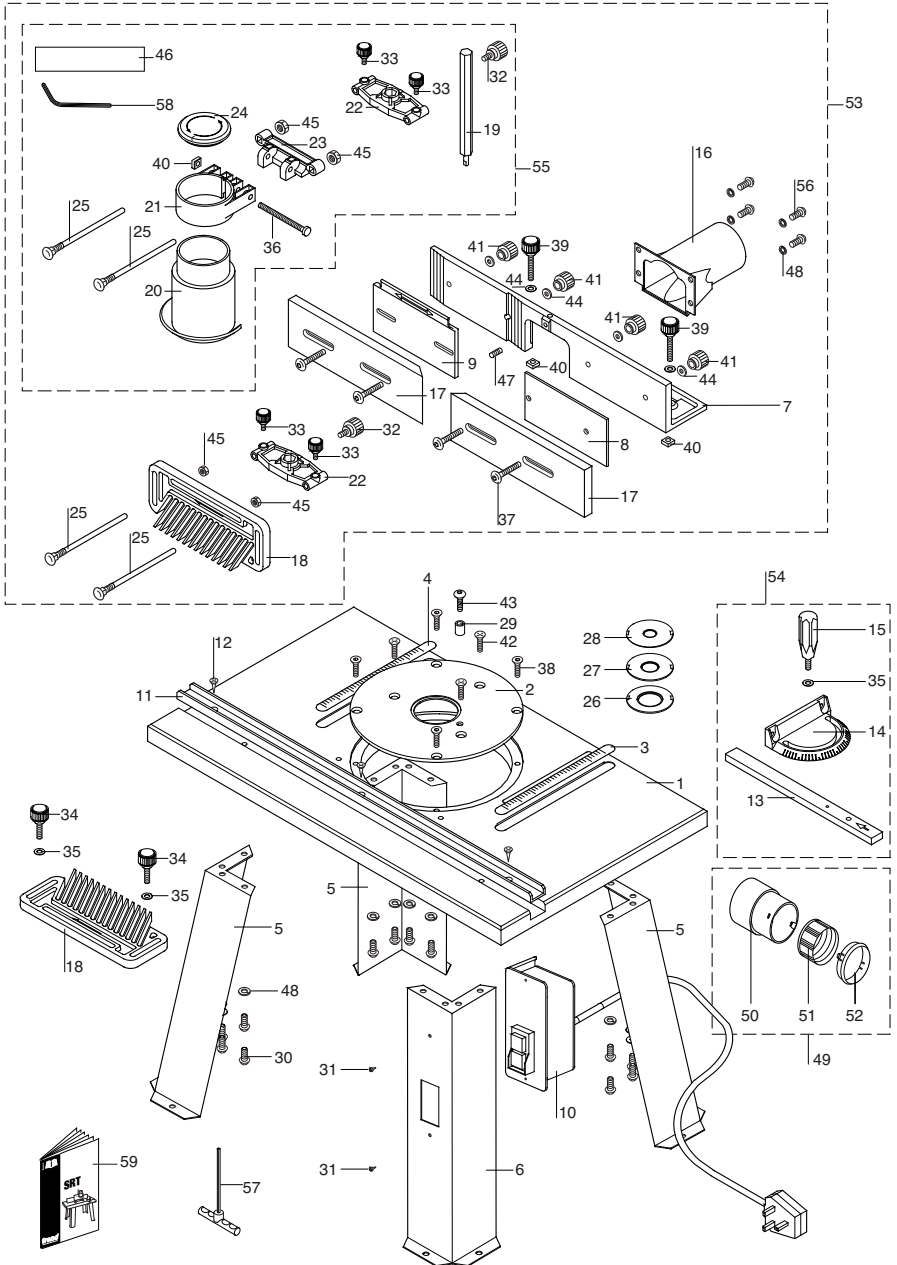


**SRT - SPARE PARTS DIAGRAM**

**V3.0 07/2003**



<b>SRT - SPARE PARTS LIST</b>			<b>v3.0 07/2003</b>
<b>No.</b>	<b>Qty.</b>	<b>Desc.</b>	<b>Ref.</b>
1	1	Table Top	WP-SRT/01
2	1	Insert Plate	SRT/PLATE/A
3	1	Scale Metric Right	WP-SRT/03
4	1	Scale Metric Left	WP-SRT/04
5	3	Leg 330mm x 76mm	WP-SRT/05
6	1	Leg 330mm x 76mm for Switch	WP-SRT/06
7	1	Back Fence	WP-SRT/07
8	1	Infeed Flat Riser	WP-SRT/08
9	1	Outfeed Step Riser	WP-SRT/09
10	1	No Volt Release Switch 230V UK Plug	WP-SRT/10
	0	No Volt Release Switch 230V EURO Plug	WP-SRT/10/EURO
	0	No Volt Release Switch 230V ANZ Plug	WP-SRT/10/ANZ
11	1	Mitre Fence Extrusion Track	WP-SRT/11
12	3	Screw Self Tapping Csk 3mm x 13mm PH	WP-SRT/12
13	1	Mitre Fence Bar	WP-SRT/13
14	1	Mitre Fence Protractor	WP-SRT/14
15	1	Mitre Fence Knob M6 x 17mm Male	WP-SRT/15
16	1	Dust Spout 57mm	WP-SRT/16
17	2	HDF Fence Cheek	WP-SRT/17
18	2	Finger Pressure 197mm x 82mm x 12.7mm	PRESSURE/1
19	1	Hex Post 160mm x 13mm	WP-SRT/19
20	1	Clear Guard	WP-SRT/20
21	1	Guard Ring	WP-SRT/21
22	2	Post Bracket	WP-SRT/22
23	1	Guard Ring Support	WP-SRT/23
24	1	Guard Top Cap	WP-SRT/24
25	4	Bolt Carriage M7 x 20mm x 125mm	WP-SRT/25
26	1	Insert Ring 40mm ID	WP-SRT/26
27	1	Insert Ring 30mm ID	WP-SRT/27
28	1	Insert Ring 20mm ID	WP-SRT/28
29	1	Lead-on Pin Body 10mm x 12.7mm	WP-SRT/29
30	16	Machine Screw Cap M6 x 12mm Socket	WP-SRT/30
31	2	Screw Self Tapping Pan 3mm x 7mm PH	WP-SRT/31
32	2	Knob 21mm Dia M6 x 8mm Male	WP-SRT/32
33	4	Knob 15mm Dia M5 x 5mm Male	WP-SRT/33
34	2	Knob 21mm Dia M6 x 25mm Male	WP-SRT/34

<b>SRT - SPARE PARTS LIST</b>			<b>v3.0 07/2003</b>
<b>No.</b>	<b>Qty.</b>	<b>Desc.</b>	<b>Ref.</b>
35	3	Washer M6	WP-SRT/35
36	1	Bolt Carriage M6 x 75mm	WP-SRT/36
37	4	Machine Screw Button M6 x 35mm Socket	WP-SRT/37
38	4	Machine Screw Csk M6 x 16mm Socket	WP-SRT/38
39	2	Knob 21mm Dia M6 x 40mm Male	WP-SRT/39
40	3	Nut Square M6	WP-SRT/40
41	4	Knob 21mm Dia M6 Female	WP-SRT/41
42	3	Machine Screw Csk M6 x 12mm Slot	WP-SCW/25
43	1	Machine Screw Button M6 x 14mm Lead-on Pin	WP-SRT/43
44	6	Washer Nylon M6	WP-SRT/44
45	3	Nut Hex M7 For Carriage Bolt	WP-SRT/45
46	1	Trend Logo Sticker	WP-SRT/46
47	1	Grub Screw M6 x 8mm	WP-SRT/47
48	20	Washer Split Ring 6mm	WP-SRT/48
49	0	Hose Adaptor 58mm to 39mm	CRT/3
50	1	Adaptor Body for CRT/3	WP-CRT/97
51	1	Adaptor Fitting for CRT/3	WP-CRT/98
52	1	Adaptor Clip for CRT/3	WP-CRT/99
53	0	Back Fence Complete	WP-SRT/53
54	0	Mitre Gauge Complete	WP-SRT/54
55	0	Top Profile Guard Complete	WP-SRT/55
56	4	Machine Screw Cap M6 x 8mm Socket	WP-SRT/56
57	1	T Handle Hex Key 4mm x 150mm	HK/T/04
58	1	Hex Key 3mm	WP-AP/03
59	1	Manual	MANU/SRT