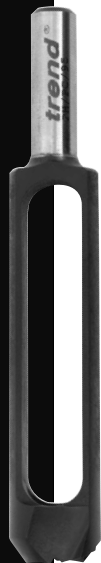




Pocket Hole PlugCutter PH/PC/95



INST/PH/PC v8.0

trend[®]
tool technology

Please
read carefully
before use

POCKET HOLE PLUG CUTTER REF. PH/PC/95

Thank you for purchasing this Trend product, which should give lasting performance if used in accordance with these instructions.

The pocket hole plug cutter allows a plug or pellet to be created which can then be glued into the pocket created by a pocket hole drill. The resulting plug will help to hide the screw head.

The following symbols are used throughout these instructions.



Denotes risk of personal injury, loss of life or damage to the tool in case of non-observance of the instructions.



Refer to the instruction manual of your power tool.

This cutter must not be put into service until it has been established that the power tool to be connected to this unit is in compliance with 2006/42/EC (identified by the CE marking on the power tool) or UK Statutory Instruments 2008 No. 1597 - The Supply of Machinery (Safety) Regulation (identified by UKCA marking on the power tool).

INTENDED USE

This cutter is intended to be used with a fixed head pillar drill to create a 9.5mm (3/8") diameter pocket hole plug or pellet in softwoods and non-abrasive hardwoods.

The timber will need to be held in a user made component work holding device.

SAFETY

Please read and understand the safety points at the end of this instruction as well as the power tool instructions before use.

PLEASE KEEP THESE INSTRUCTIONS IN A SAFE PLACE.

The attention of UK users is drawn to The Provision and Use of Work Equipment Regulations 1998, and any subsequent amendments.

Users should also read the HSE/HSC Safe Use of Woodworking Machinery Approved Code of Practice and Guidance Document and any amendments.

Users must be competent in using woodworking equipment before using our products.

Consider working environment before using tools.

Ensure working position is comfortable and component is clamped securely.

Please keep children and visitors away from tools and work area. All tools have a residual risk, so must therefore be handled with caution.

ITEMS REQUIRED

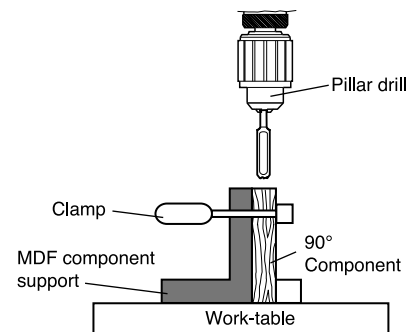
- Pillar drill.
- Clamp.
- User made component holding device.
- Hand tools.

OPERATION



Component Work Holding Device

The user made component work holding device is used to hold the component vertically in order for the drill to cut into the end grain. The holding device must be made from a minimum of 18mm thick MDF. The device will need to create a support which is 90° to the pillar drill work-table. The holding device should be glued and screwed together. Once aligned beneath the plug cutter the work holding device should then be secured to the pillar drill work-table.



The plug cutter must be used in a pillar drill and the timber must be secured in a work holding device.

Drilling the Plug

The plug cutter can be used on both softwood and hardwood. However the drilling speed and the feed speed will need to be adjusted to reduce heat build-up.



Recommended speed 2,000 rpm.

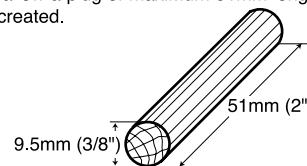


The plug should ideally be drilled at the same angle of approach as the pocket hole drill, however as this is very difficult to achieve accurately, we recommend that the plug is drilled in line with the grain. The matching plug will be a reasonable match to the hole.



Consider working environment before using tools. Keep proper footing at all times.

Check that the cutter is secure in the chuck and that the work holding device is holding the timber securely. Once checked, set the depth stop of the drill. The length of the plug will need to be about 40mm. However the cutter will allow a plug of maximum 51mm long to be created.



PTO

ENVIRONMENTAL PROTECTION 
Recycle raw materials instead of disposing as waste.

Packaging should be sorted for environmental-friendly recycling.
 The product and its accessories at the end of its life should be sorted for environmental-friendly recycling.

WARRANTY

The cutter carries a manufacturer's warranty in accordance with the conditions on our website www.trend-uk.com

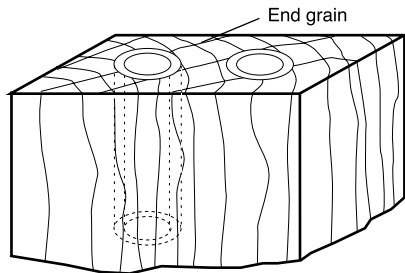
© Trend Tool Technology Ltd. 2011, 2016, 2019, 2024 E&OE
 © All trademarks acknowledged

Trend Tool Technology Ltd.
 Watford, WD24 7TR, England
www.trend-uk.com

EU Importer:
Trend Tool Technology Ltd.
 Ground Floor,
 Two Dockland Central,
 Guild Street, North Dock,
 Dublin 1, D01 K2C5, Ireland



Switch on the pillar drill and gently drill into the end grain. Occasionally raise the cutter to allow waste to be ejected from the hole. Continue to drill until the required depth is reached. Release plunge and switch off the pillar drill.



The plug can be removed from the timber by cutting across timber with a handsaw or bandsaw at the correct height.

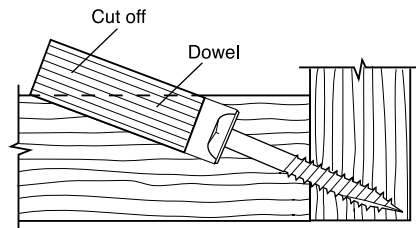
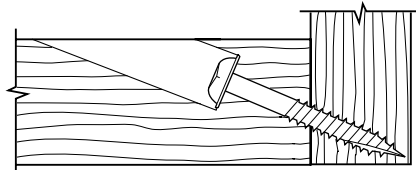


Do not use a bench or portable circular saw to remove the plugs, as they may catch the blade tips and be ejected rapidly.

Fitting the Plug 

The resulting plug is then test fitted into the pocket hole pocket. Glue is used to secure the plug into the pocket. The grain on the plug should be in the same direction as the grain on the component.

The protruding end of the plug can be removed using a handsaw. The plug should then be sanded flat.



MAINTENANCE 

Please use only Trend original spare parts and accessories.

Continual satisfactory operation depends upon proper tool care and regular cleaning.

Cleaning

- Ensure clamping surfaces are cleaned to remove dirt, grease, oil and water.
- Remove resin build-up regularly.
- Apply a rust protector to shanks.

Lubrication

- Use a PTFE dry lubricant spray on tool to increase cutting edge life.

Storage

- Always return cutter to its packaging after use.

Our policy of continuous improvements mean that specifications may change without notice. Trend Machinery & Cutting Tools Ltd. cannot be held liable for any material rendered unusable, or for any form of consequential loss.

Safety Points

1. Disconnect power tool attachment from power supply when not in use, before servicing, when making adjustments and when changing accessories such as cutters. Ensure switch is in 'off' position and cutter has stopped rotating.
2. Read and understand instructions supplied with power tool, attachment and cutter.
3. Current Personal Protective Equipment (PPE) for eye, ear and respiratory protection must be worn. Keep hands, hair and clothes clear of the cutter.
4. Before each use check cutter is sharp and free from damage. Do not use if cutter is dull, broken or cracked or if any damage is noticeable or suspected. Only use tools for woodworking to EN847 safety standard. Ensure cutting tool is suitable for application.
5. The maximum speed (n_{max}) marked on tool or in instructions or on packaging shall not be exceeded. Where stated, the speed range should be adhered to.
6. Insert the shank into the router collet at least all the way to the marked line indicated on the shank. This ensures at least 3/4 of the shank length is held in collet. Ensure clamping surfaces are clean.
7. Check all fixing and fastening nuts, bolts and screws on power tool, attachment and cutting tools are correctly assembled, tight and to correct torque setting before use.
8. Ensure all visors, guards and dust extraction is fitted.
9. The direction of routing must always be opposite to the cutter's direction of rotation.
10. Do not switch power tool on with the cutter touching the workpiece.
11. Trial cuts should be made in waste material before starting any project.
12. Repair of tools is only allowed according to tool manufacturers instructions.
13. Do not take deep cuts in one pass, take shallow passes to reduce the side load applied to the cutter.
14. User must be competent in using woodworking equipment before using our products. Dress properly, no loose clothing/jewellery, wear protective hair covering for long hair.
15. Consider working environment before using tools. Ensure working position is comfortable and component is clamped securely. Keep proper footing and balance at all times. Check work area for obstructions. Keep control of power tool at all times.
16. Please keep children and visitors away from tools and work area.
17. All tools have a residual risk so must therefore be handled with caution.
18. Only use Trend original spare parts and accessories. If you require further safety advice, technical information, or spare parts, please call Trend Technical Support or visit www.trend-uk.com