



# H/JIG/C



**trend**<sup>®</sup>  
routing technology



Please read these instructions before use.

Patent No.: GB2490139

Dear Customer

Thank you for purchasing this Trend product, we hope you enjoy many years of creative and productive use.

Please remember to return your guarantee card within 28 days of purchase.

**CONTENTS**

**TECHNICAL DATA** \_\_\_\_\_ **1**

**SAFETY** \_\_\_\_\_ **2-3**

**ITEMS ENCLOSED** \_\_\_\_\_ **4**

**DESCRIPTION OF PARTS** \_\_\_\_\_ **5**

**ASSEMBLY** \_\_\_\_\_ **6**

- Setting up the Plunge Router \_\_\_\_\_ **7**

- Fitting the Router Cutter \_\_\_\_\_ **8**

**OPERATION**

- Setting the Jig for Hinge Recessing \_\_\_\_\_ **9-12**

- Routing the Hinge Recesses in the Door **13-14**

- Routing Hinge Recesses in the Frame **15-16**

- Fitting the Door \_\_\_\_\_ **17**

**ACCESSORIES** \_\_\_\_\_ **17**

**MAINTENANCE** \_\_\_\_\_ **17**

**ENVIRONMENTAL PROTECTION** \_\_\_\_\_ **17**

**GUARANTEE** \_\_\_\_\_ **17**

**SPARE PARTS**

– Spare Parts List \_\_\_\_\_ **18**

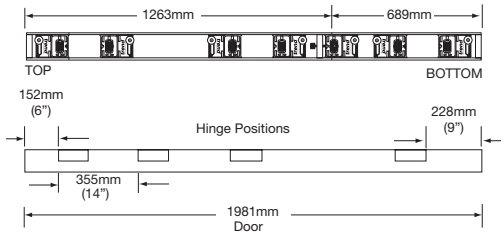
– Spare Parts Diagram \_\_\_\_\_ **19**

**QUICK START INSTRUCTIONS** \_\_\_\_\_ **20**

**TECHNICAL DATA**

Guide bush diameter	16mm
Hinge length	min. 67mm (2 5/8") max. 127mm (5")
Hinge width	min. 12.7mm (1/2") max. 35mm (1 3/8")
Door height	min. 1956mm (6' 5") max. 2100mm (6' 10")*
Door thickness	min. 16mm (5/8") max. 51mm (2")
Fixed stop thickness	max. 25mm
Weight	2.9kg

\*For doors over 2040mm the bottom hinge position can no longer be 9" up from the bottom.



**PLEASE NOTE:** For doors over 2040mm the bottom hinge position can no longer be 9" up from the bottom.

The following symbols are used throughout this manual:



Denotes risk of personal injury, loss of life or damage to the tool in case of non-observance of the instructions in this manual.



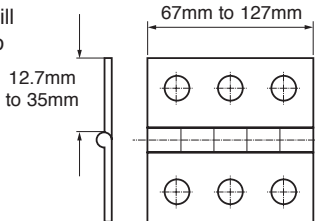
Refer to the instruction manual of your power tool.

This unit must not be put into service until it has been established that the power tool to be connected to this unit is in compliance with 2006/42/EC (identified by the CE marking on the power tool).

**INTENDED USE**

This jig allows hinge recesses to be routed in a wooden door or frame with stops up to 25mm thick. It should be used with a portable plunge router with suitable guide bush and router cutter fitted.

The hinge jig will cut apertures to suit the hinge shown.



If you require further safety advice, technical information or spare parts, please call our Trend Technical Support or visit [www.trend-uk.com](http://www.trend-uk.com)

**SAFETY**



**WARNING:**

Observe the safety regulations in the instruction manual of the power tool to be used. Please read the following instructions carefully. Failure to do so could lead to serious injury. When using electric tools, basic safety precautions, including the following should always be followed to reduce the risk of fire, electric shock and personal injury. Also observe any applicable additional safety rules. Read the following safety instructions before attempting to operate this product.

**PLEASE KEEP THESE INSTRUCTIONS IN A SAFE PLACE.**

The attention of UK users is drawn to The Provision and Use of Work Equipment Regulations 1998, and any subsequent amendments.

Users should also read the HSE/HSC Safe Use of Woodworking Machinery Approved Code of Practice and Guidance Document and any amendments.

Users must be competent with woodworking equipment before using our products.

**IMPORTANT NOTE:**

**Residual Risk.** Although the safety instructions and operating manuals for our tools contain extensive instructions on safe working with power tools, every power tool involves a certain residual risk which cannot be completely excluded by safety mechanisms. Power tools must therefore always be operated with caution!

**General**

1. Disconnect power tool and attachment from power supply when not in use, before servicing, when making adjustments and when changing accessories such as cutters. Ensure switch is in "off" position. Always ensure cutter has stopped rotating.
2. Always mount the power tool, accessory or attachment in conformity with the instructions. Only use attachment and accessories specified in the power tool manual. The tool or attachment should not be modified or used for any application other than that for which it was designed. Do not force tool.
3. Keep children and visitors away. Do not let children or visitors touch the tool, accessory or attachment. Keep children and visitors away from work area. Make the workshop child proof with padlock and master switch.
4. Dress properly. Do not wear loose clothing or jewellery, they can be caught in moving parts. Rubber gloves and non-skid footwear is recommended when working outdoors. Wear protective hair

covering to contain long hair.

5. Consider working environment. Do not use the product in the rain or in a damp environment. Keep work area well lit. Do not use power tools near gasoline or flammable liquids. Keep workshop at a comfortable temperature so your hands are not cold. Connect machines that are used in the open via a residual current device (RCD) with an actuation current of 30 mA maximum. Use only extension cables that are approved for outdoor use.
6. The accessory or attachment must be kept level and stable at all times.
7. Keep work area clean. Cluttered workshops and benches can cause injuries. Ensure there is sufficient room to work safely.
8. Secure idle tools. When not in use, tools should be stored in a dry and high or locked up place, out of reach of children.
9. For best control and safety use both hands on the power tool and attachment. Keep both hands away from cutting area. Always wait for the spindle and cutter to stop rotating before making any adjustments.
10. Always keep guards in place and in good working order.
11. Remove any nails, staples and other metal parts from the workpiece.
12. Maintain tools and cutters with care. Keep cutters sharp and clean for better and safer performance. Do not use damaged cutters. Follow instructions for lubricating and changing accessories. Keep handles dry, clean and free from oil and grease.
13. Maintain accessories. Do not use damaged accessories. Only use accessories recommended by the manufacturer.
14. Check damaged parts. Before operation inspect the attachment, the power tool, the cable, extension cable and the plug carefully for signs of damage. Check for alignment of moving parts, binding, breakage, mounting and any other conditions that may effect its operation. Have any damage repaired by an Authorised Service Agent before using the tool or accessory. Protect tools from impact and shock.
15. Do not use tool if switch does not turn it on or off. Have defective switches replaced by an Authorised Service Agent
16. Don't over reach. Keep proper footing and balance at all times. Do not use awkward or uncomfortable hand positions.
17. Don't abuse the cable. Never carry

power tool or accessory by cord or pull it to disconnect from the socket. Keep cord from heat, oil and sharp edges. Always trail the power cord away from the work area.

18. Connect dust extraction equipment. If devices are provided for the connection of dust extraction and collection facilities, ensure these are connected and properly used.
19. Check all fixing and fastening nuts, bolts and screws on power tool, attachment and cutting tools before use to ensure they are tight and secure. Periodically check when machining over long periods.
20. Stay alert. Watch what you are doing. Use common sense. Do not operate tools when you are tired, under the influence of drugs or alcohol.
21. Personal Protective Equipment (PPE) for eye, ear and respiratory protection must be worn. All PPE must meet current UK and EU legislation.
22. Do not leave tools running unattended. Do not leave tool until it comes to a complete stop.
23. Always clamp workpiece being machined securely.
24. Only use cutting tools for woodworking that meet EN847-1/2 safety standards, and any subsequent amendments.
25. Vibration levels. Hand held power tools produce different vibration levels. You should always refer to the specifications and relevant Health & Safety Guide.

**Routing Safety**

1. Read and understand instructions supplied with power tool, attachment and cutter.
2. Keep hands, hair and clothing clear of the cutter.
3. Remove adjusting keys and spanners. Check to see that keys and adjusting spanners are removed from the router tool, cutter and attachment before turning router on. Make sure cutter can rotate freely.
4. Noise. Take appropriate measures for the protection of hearing if the sound pressure of 85dB(A) is exceeded. Routing sound pressure may exceed 85dB(A), so ear protection must be worn.
5. Eye protection. Always wear eye protection in the form of safety goggles, spectacles or visors to protect the eyes.
6. Respiratory protection. Wear a face or dust mask, or powered respirator. Dust masks/filters should be changed regularly.

7. Do not switch router on with the cutter touching the workpiece. At the end of the cut, release the router plunge and allow spindle to stop rotating. Never use the spindle lock as a brake
8. The direction of routing must always be opposite to the cutter's direction of rotation. Do not back-cut or climb-cut.
9. Check before cutting that there are no obstructions in the path of the router. Ensure there are no obstacles beneath workpiece when cutting full thickness, and that a sacrificial work surface is used.

### Router Cutter Safety

1. Cutting tools are sharp. Care should be taken when handling them. Do not drop cutters or knock them against hard objects. Handle very small diameter cutters with extra care. Always return cutter to its packaging after use.
2. Always use cutters with a shank diameter corresponding to the size of the collet installed in your tool.
3. The maximum speed (n.max) marked on the tool, or in instructions or on packaging shall not be exceeded. Where stated the speed range shall be adhered to. Recommended speeds are shown in the Trend Routing Catalogue and/or website.
4. Always use router cutters in a router. Drill and boring bits must not be used in a router. Router cutters must only be used for the material cutting application for which they are designed. Do not use on metal or masonry.
5. Never use cutters with a diameter exceeding the maximum diameter indicated in the technical data of the powertool or attachment used.
6. Before each use check that the cutting tool is sharp and free from damage. Do not use the cutting tool if it is dull, broken or cracked or if in any other damage is noticeable or suspected.
7. Cutters should be kept clean. Resin build up should be removed at regular intervals with Resin Cleaner. The use of a PTFE dry lubricant will reduce resin build up. Do not use PTFE spray on plastic parts.
8. When using stacked tooling (multi-blade, block and groover etc.) on a spindle arbor, ensure that the cutting edges are staggered to each other to reduce the cutting impact.
9. Cutter shanks should be inserted into the collet all the way to the line indicated on the shank. This ensures that at least  $\frac{3}{4}$  of the shank length is held in the collet. Ensure clamping

surfaces are cleaned to remove dirt, grease, oil and water.

10. Observe the correct assembly and fitting instructions in the router instruction manual for fitting the collet, nut and cutter.
11. Tool and tool bodies shall be clamped in such a way that they will not become loose during operation. Care shall be taken when mounting cutting tools to ensure that the clamping is by the shank of the cutting tool and that the cutting edges are not in contact with each other or with the clamping elements.
12. It is advisable to periodically check the collet and collet nut. A damaged, worn or distorted collet and nut can cause vibration and shank damage. Do not over-tighten the collet nut
13. Do not take deep cuts in one pass; take several shallow or light passes to reduce the side load applied to the cutter and router. Too deep a cut in one pass can stall the router.
14. In case of excessive vibrations whilst using the router stop immediately and have the eccentricity of the router, router cutter and clamping system checked by competent personnel
15. All fastening screws and nuts should be tightened using the appropriate spanner or key and to the torque value provided by the manufacturer.
16. Extension of the spanner or tightening using hammer blows shall not be permitted.
17. Clamping screws shall be tightened according to instructions provided by the manufacture. Where instructions are not provided, clamping screws shall be tightened in sequence from the centre outwards.

### Using Routers In A Fixed Position

1. Attention should be made to the HSE's Safe Use of Vertical Spindle Moulding Machines Information Sheet No.18 and any revisions.
2. After work, release the router plunge to protect the cutter.
3. Always use a push-stick or push-block when making any cut less than 300mm in length or when feeding the last 300mm of the cut.
4. The opening around the cutter should be reduced to a minimum using suitably sized insert rings in the table and closing the back fence cheeks or fitting a false fence on the back fence.
5. Whenever possible use a work holding device or jig to secure component being machined. Ensure any attachment is securely fitted to the workbench, with table surface at

approximately hip height.

6. Use a No-Volt Release Switch. Ensure it is fixed securely, easily accessible and used correctly.
7. In router table (inverted) mode, stand to the front right of the table. The cutter will rotate anti-clockwise when viewed from top so the feed direction is from the right (against the rotation of the cutter). In overhead mode, stand to the front left of the machine table and the feed direction is from the left.
8. Do not reach underneath table or put your hands or fingers at any time in the cutting path while tool is connected to a power supply.
9. Never thickness timber between the back of the cutter and the backfence.

### Useful Advice When Routing

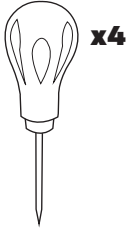
1. Judge your feed rate by the sound of the motor. Feed the router at a constant feed rate. Too slow a feed rate will result in burning.
2. Trial cuts should be made on waste material before starting any project.
3. When using some attachments e.g. a router table or dovetail jig, a fine height adjuster is recommended.
4. When using a template guide bush, ensure there is sufficient clearance between cutter tip and inside edge of bush and that it cannot come into contact with collet and nut. Ensure cutter and guide bush are concentric.

### Router Cutter Repair/Maintenance

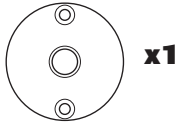
1. Repair of tools is only allowed in accordance with the manufacturers instructions.
2. The design of composite (tipped) tools shall not be changed in process of repair. Composite tools shall be repaired by a competent person i.e. a person of training and experience, who has knowledge of the design requirements and understands the levels of safety to be achieved.
3. Repair shall therefore include, e.g. the use of spare parts which are in accordance with the specification of the original parts provided by the manufacturer.
4. Tolerances which ensure correct clamping shall be maintained.
5. Care shall be taken that regrinding of the cutting edge will not cause weakening of the body and the connection of the cutting edge to the body.

Version 7.2 06/2013

**ITEMS ENCLOSED**



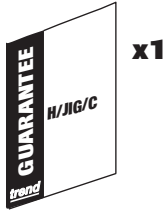
**x4**



**x1**



**x1**



**x1**

**ITEMS REQUIRED**

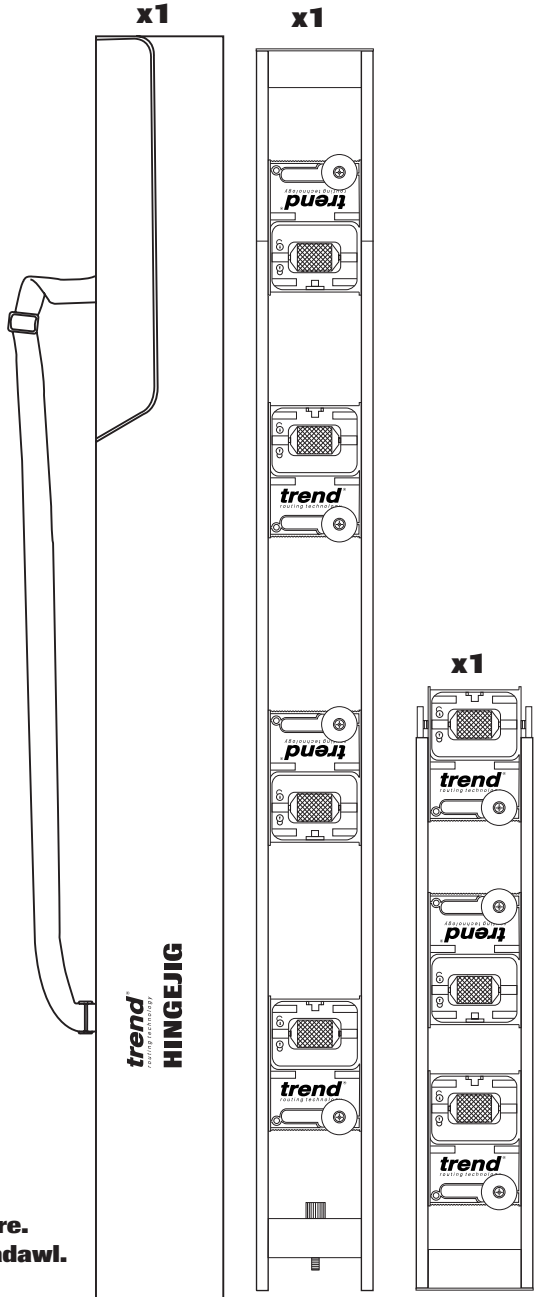
- 1/4" collet plunge router.
- 12mm diameter router cutter with long series 1/4" shank.
- Door clamping device.
- Pozi<sup>®</sup> No.2 screwdriver.
- Hand tools.

**FOR FIRE DOORS**

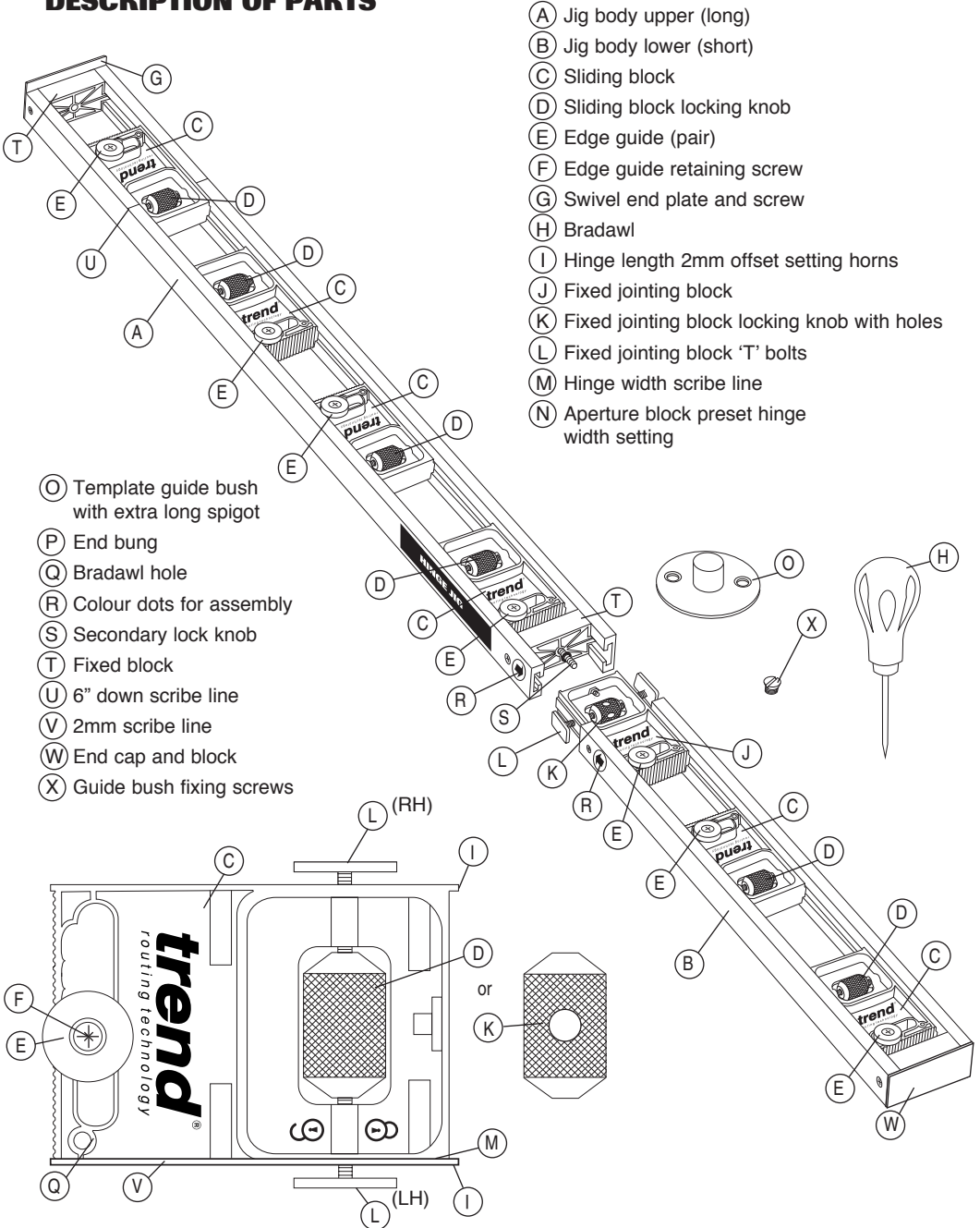
The second hinge, 355mm (14") down from the top of the upper hinge is for fire doors. The middle aperture blocks are moved up to the second aperture position and set to hinge length.



**Bradawls are sharp! Please take care. Do not apply excessive force on bradawl.**



**DESCRIPTION OF PARTS**



- (A) Jig body upper (long)
- (B) Jig body lower (short)
- (C) Sliding block
- (D) Sliding block locking knob
- (E) Edge guide (pair)
- (F) Edge guide retaining screw
- (G) Swivel end plate and screw
- (H) Bradawl
- (I) Hinge length 2mm offset setting horns
- (J) Fixed jointing block
- (K) Fixed jointing block locking knob with holes
- (L) Fixed jointing block 'T' bolts
- (M) Hinge width scribe line
- (N) Aperture block preset hinge width setting

- (O) Template guide bush with extra long spigot
- (P) End bung
- (Q) Bradawl hole
- (R) Colour dots for assembly
- (S) Secondary lock knob
- (T) Fixed block
- (U) 6" down scribe line
- (V) 2mm scribe line
- (W) End cap and block
- (X) Guide bush fixing screws

**ASSEMBLY**

The two part hinge jig is designed for ease of transport. The fixed jointing block is already fixed into the lower (short) section of the jig. The upper (long) section can then be connected.

To join the jig together slide the lower (short) jig body with jointing block fitted into the upper (long) jig body.

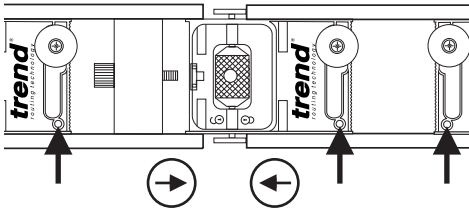
When both parts of the extrusion meet, turn the jointing block locking knob in the direction of the padlock symbol.

The joint block locking thumb knob has three holes in its circumference to allow a 50mm long 1/4" hex shank tool to be used to tighten further.

There is a secondary lock knob that should be tightened to keep the jig locked together.

The sliding aperture block nearest the secondary lock knob may need to be moved away to gain access to the secondary lock knob.

The secondary lock knob is held in position by a rubber 'o' ring.



All bradawl holes should be on the same side.



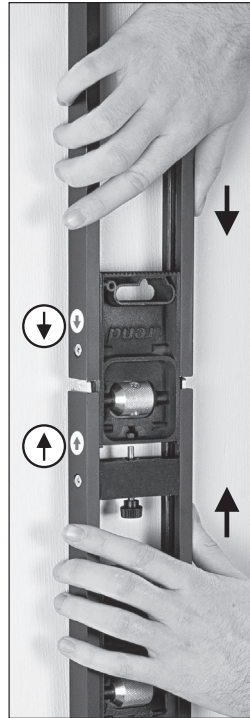
**Incorrect orientation will prevent correct use of the jig body.**



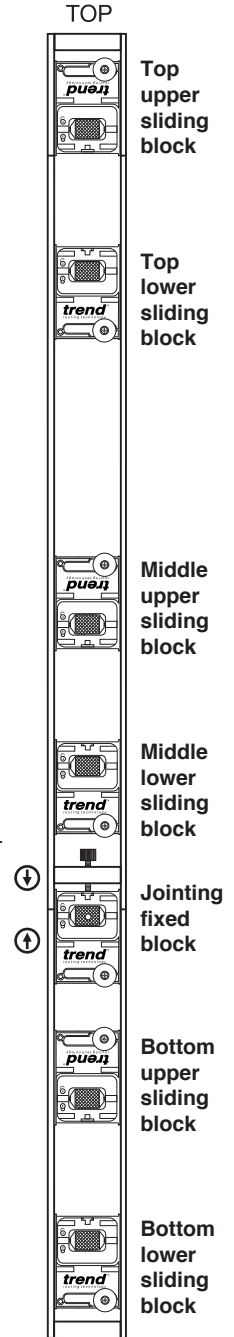
**The jointing block locking knob must be tight as it accepts a bradawl.**



**The jig design allows out of true frames to be routed as the jig can flex to accommodate.**



Small arrow labels should point towards each other on the same side of the jig.



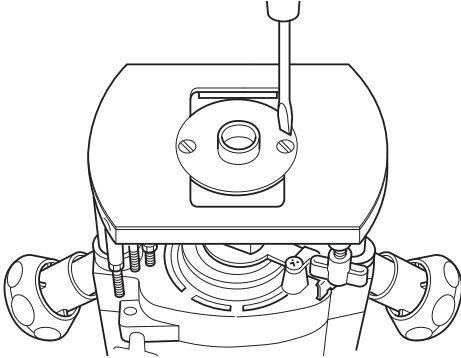
BOTTOM

## Setting up the Plunge Router

The guide bush fits directly to the Trend T5 Router. To fit the guide bush to other makes and models, a universal sub-base Ref. UNIBASE or circular sub-base Ref. GB/5 can be used.

The Ref. UNIBASE is designed to suit the most popular plunge type routers (please see our website for compatibility). The Ref. GB/5 can be re-drilled by the user.

- Fit the guide bush to the base of the router using the screws supplied with the router.
- The Ref. UNIBASE Universal Sub-base has a central recess to allow fitting of the special guide bush Ref. GB160. The sub-base is supplied drilled to fit the most popular makes of routers.



**If there is any doubt about the concentricity of the cutter relative to the guide bush, then a false sub-base should be used in order to ensure an accurate fit of hinges. For all other makes of router, the sub-base to suit your router will need to be purchased.**



**The T4 router will require a Unibase to accept the guide bush or special accessory guide bush Ref. GB/T4/160 can be used.**



**It is recommended that a plunge router is used with the hinge jig.**

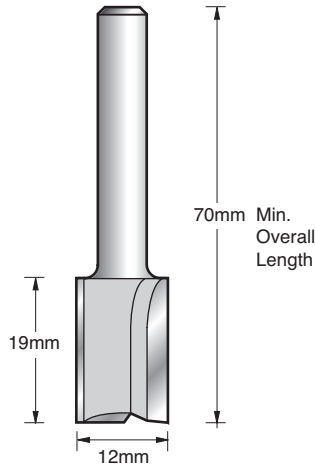


**Fitting the Router Cutter** 

- The recommended router cutters for use with the jig are Refs. 3/8LX1/4TC, TR12X1/4TC or C019AX1/4TC.
- The cutters must have a 12.0mm diameter and a minimum overall length of 70mm.
- Unplug router from mains, insert at least 25mm of shank of cutter into collet and gently tighten collet nut.

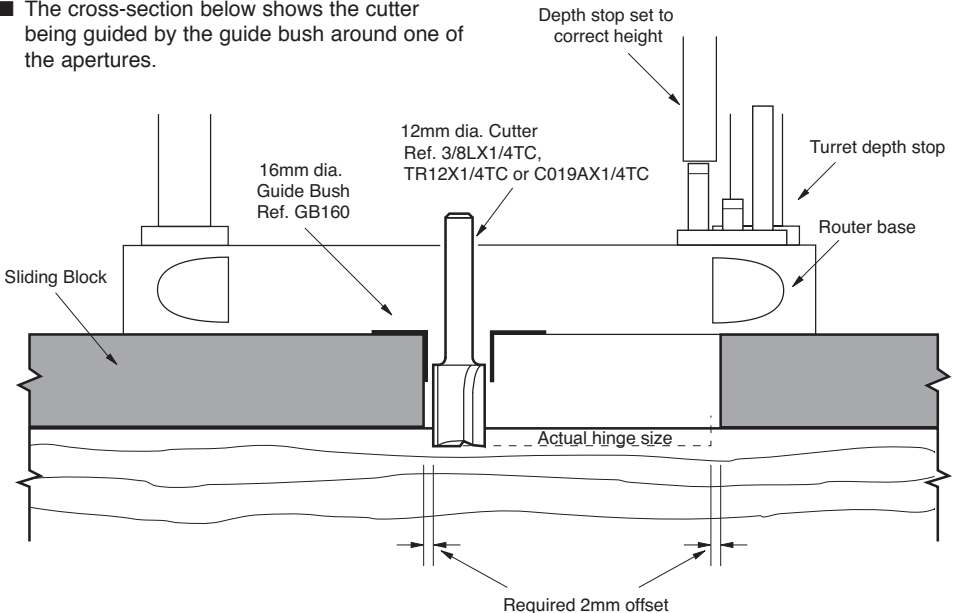


**The guide bush must be concentric to the router collet assembly and router cutter. Before and during use please ensure the router cutter does not come into contact with the inside of the guide bush. When it is safe to do so check cutter and guide bush will not come into contact.**



**Template Guide Bush Principle**

- The cross-section below shows the cutter being guided by the guide bush around one of the apertures.



**OPERATION**



**Setting the Jig for Hinge Recessing**

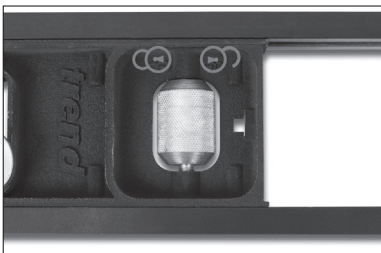
The jig sliding blocks will need to be set depending on the door size and hinge length and width. The following setting up operation will only need to be carried out once for a set of doors having the same height dimensions and hinge sizes.

**Setting the Positions of the Sliding Blocks**

Before use the jig will need to be set to suit standard door hinge positions. The jig has been designed to cater for the traditional positions of the hinges on a door as follows:

- Top hinge - Located 152.4mm (6") from the top of the door.
- Bottom hinge - Located 200mm (9") from the bottom of the door.
- Centre hinge - Centrally between the top and bottom hinges.

The sliding blocks can be slid along the extrusion and locked in place with the sliding block locking knob. By turning the knob in the direction of the padlock symbol the block can be locked or unlocked.



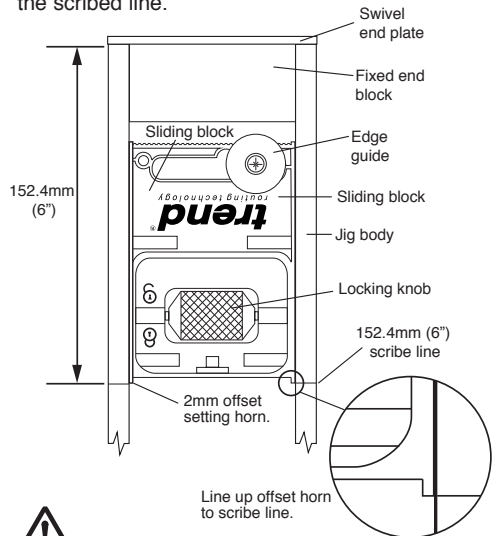
Lay the jig onto a flat surface e.g. the edge of the door. Ensure the jig is held securely. The procedure for setting the position of each hinge is as follows:-

- Loosen sliding block locking knob.
- Measure required position of hinges using a tape measure.
- Slide all upper sliding blocks to required position.
- Tighten sliding block locking knobs.



**Ensure barrel is turned in the correct direction to lock or unlock otherwise the extrusions may bow.**

The upper sliding block will need to be set to 6" down by lining up 2mm offset setting horns with the scribed line.



**For fire doors, this jig will allow a second hinge 355mm down from the top of the upper hinge. Move the middle aperture blocks up to correct user measured position. In some instances it may be necessary to remove one of the edge guides if sliding blocks touch.**

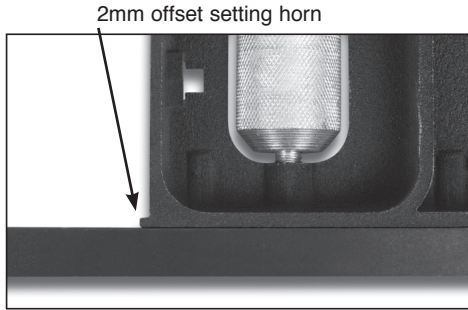
**Setting the Length of the Recess**

The length of the recess for the hinge is governed by the lower sliding aperture blocks.

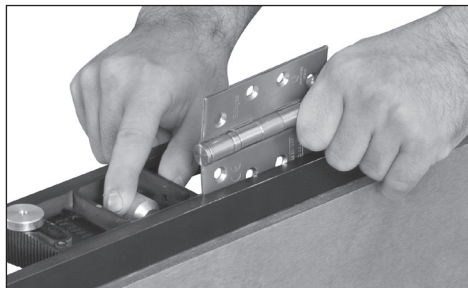
The sliding blocks have a 2mm notch to give the necessary offset.

The procedure is as follows for each of the three apertures.

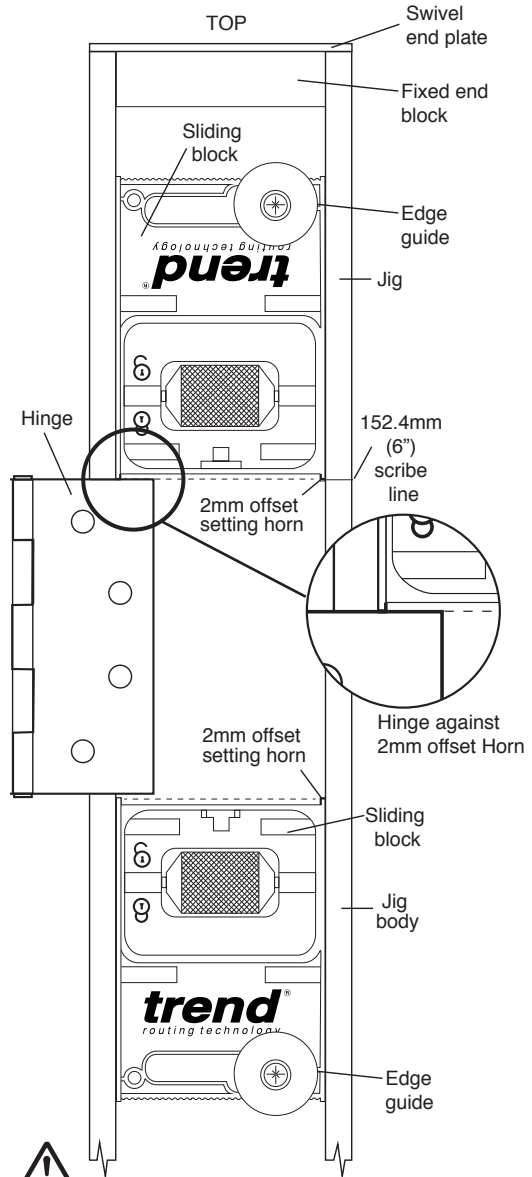
- Place one hinge lengthways into the aperture.
- Slacken lower sliding aperture blocks.
- Place hinge against 2mm offset setting horn of upper and lower aperture blocks.



- Slide lower block up to hinge.
- Tighten sliding block locking knob.



**Make a trial hinge recess in a waste piece of material before using on a door or frame, the hinge recess length can then be adjusted accordingly.**



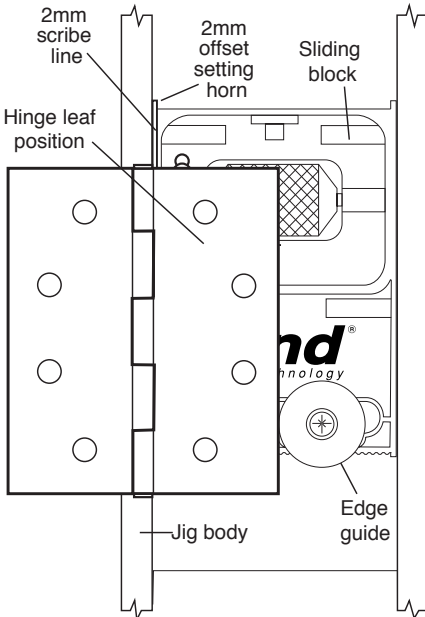
**The scribe line of the jig is for the actual size of 6 inch down position. Ensure hinge is set against the 2mm offset horns.**

**Setting the Width of the Recess for Standard Hinge**

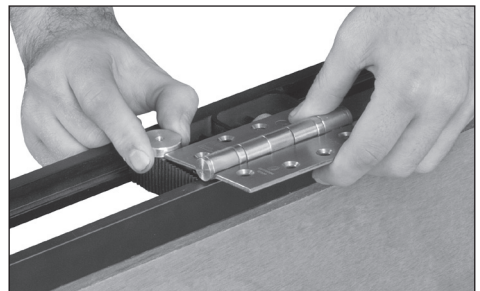
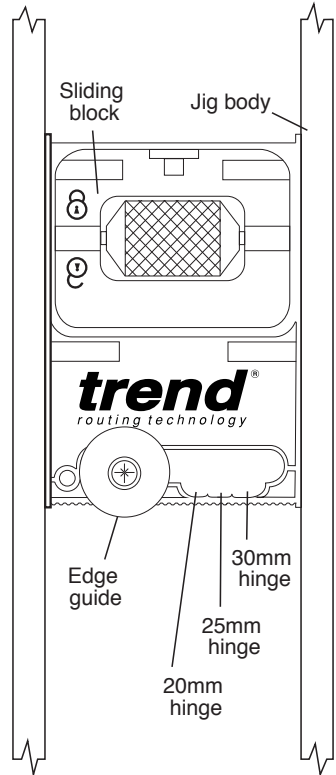
The width of the recess for the hinge leaf is governed by the edge stops. These engage onto the edge of the door or frame and their position governs the width of the recess.

The position of each of the edge stops are set as follows:-

- Undo the edge stop retaining screw with a screwdriver.
- Place one leaf of the hinge against the edge stop.
- Move edge stop along the slot until leaf edge of hinge lines up with the inside of the scribe line.
- Tighten edge stop retaining screw.



The sliding block has been notched to three hinge sizes for quick setting.



### Setting the Depth of the Recess

The depth of the recess must be the same thickness as the hinge or slightly deeper. Most routers are fitted with a depth stop to limit the depth of plunge of the router. Refer to your router's instruction manual for particular details on using the depth stop. The depth of the recess for the hinge is set as follows:

- Release depth gauge on the router.
- Place jig onto the edge of the door.
- Place router onto jig and locate guide bush into one of the apertures of the jig.
- Plunge cutter through aperture until it touches the edge of the door.
- Lock the router's carriage in this position.
- Move depth gauge up by the thickness of the hinge by:
  1. Either using the depth gauge measurement/dial
  - or
  2. Placing a leaf of the hinge between the depth gauge and the stop.
- Lock off depth stop and remove hinge.
- Check the depth of the cutter is correct by first fully plunging the router and locking the plunge mechanism. Invert the router and place the jig over the guide bush, now check that the cutter protrudes past the template the same distance as the thickness of the hinge.

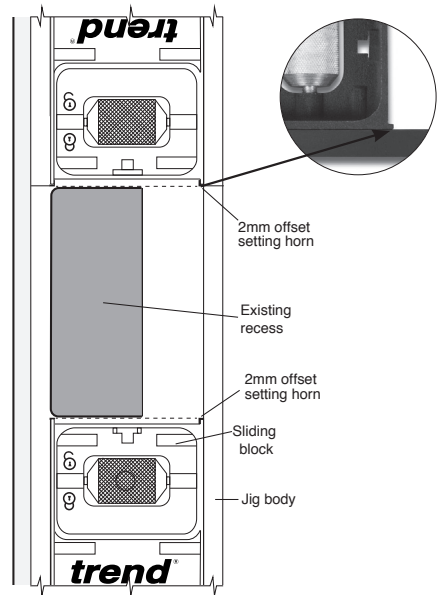
Double check all settings, ensure all screws are tight. Setting up is complete.



### Setting Jig to Existing Hinge Recess Position in a Frame

The sliding blocks allow the jig to be adjusted to suit existing hinge recess positions in a frame. The hinge positions can be measured and transferred to the jig or the jig can be set to the door frame. To set jig to the frame:

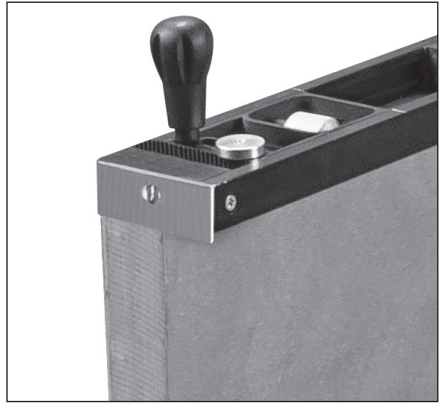
- Loosen edge guides and move away.
- Fit jig to door frame and hold in position temporarily by placing a bradawl into joint block. Loosen locking knobs and slide aperture blocks so that the 2mm offset on the block is in line with the hinge recess.
- Tighten locking knob.
- Repeat for all aperture blocks.
- Once hinge length is set, slide edge guides to edge of frame and tighten guides.



**Ensure working position is comfortable, especially when setting up the jig and routing a hinge recess in a door.**

## Routing Hinge Recesses in the Door

- The door should be laid on its edge with the hanging edge of the door facing upwards. Use the conventional block and wedge or door stand to keep the door securely in this position.
- Place the jig onto the edge of the door. Ensure that the jig is placed the correct way round so that the edge stops are on the knuckle edge of the door. The swivel end plate should be at the top of the door.
- Ensure swivel end plate is correct way around. Slide the jig down the door until the swivel end plate touches the top of the door.
- Push the jig up to the door so that the edge guides touch the opening face of the door.
- Without letting the jig move, locate the bradawls into the bradawl holes. Use at least three bradawls to hold the jig: in the top lower sliding block, fixed jointing block and bottom upper sliding block.
- Hammer the bradawls carefully into the edge of the door until the bradawls touch the face of the jig.
- Now plug in the router and place the router with cutter and guide bush fitted into the first aperture of the jig. Do not use the wavy edge on the blocks as a guide.
- Switch router on and wait for the motor to reach full running speed. Electronic speed controlled routers should be set to the maximum speed.



**The swivel end plate fixing screw may need to be adjusted for tightness.**



**To prevent damaging the jig template make sure the routers plunge is fully released after completing the cut.**



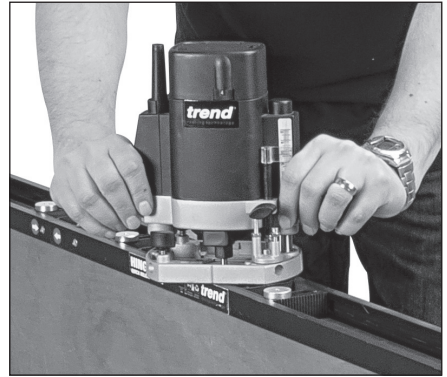
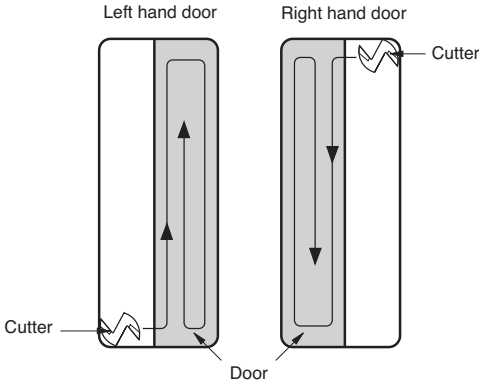
**Ensure door is clamped and held securely when using the jig.**



**Always place one bradawl in the fixed jointing block.**



- Position the guide bush in the corner of the aperture and plunge cutter until correct depth is reached. Lock the carriage of the router in this position. Rout around the aperture in a clockwise direction, then remove the waste from the centre of the aperture. See drawings below for direction of cut to prevent breakout.



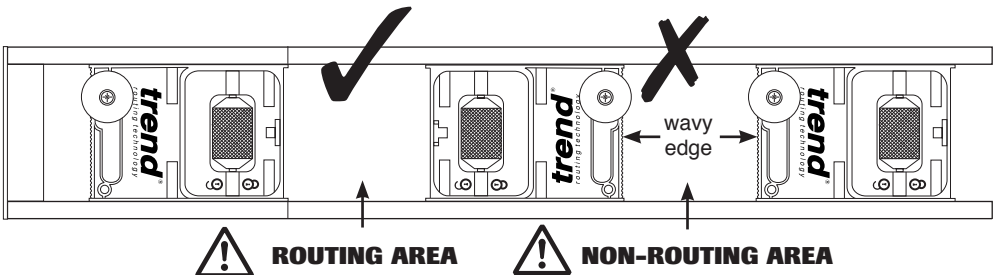
- Release the carriage of the router and repeat the procedure for the remaining apertures.
- Switch off router and remove jig from door by pulling out bradawls with a twisting action.
- Square off rounded corners of hinge recess with a corner chisel Ref. C/CHISEL and hammer.



**Ensure the cutter and guide bush are positioned in the correct apertures. Do not use wavy edge on the blocks as the guide.**



**Ensure all edge guides are touching the frame and that three bradawls are used in the relevant blocks.**



## Routing Hinge Recesses in the Frame

- No adjustments are necessary to the jig or the router.
- Using the opposite side of the jig, butt the top of the jig into the head of the frame and up against the hanging jamb until the pins touch the opening edge of the frame.
- Without letting the jig move, locate the bradawls into the bradawl holes. Use three bradawls to hold the jig: In the top lower sliding block, fixed jointing block and bottom upper sliding block. Always place a bradawl in the fixed jointing block.
- Hammer the bradawls carefully into the door frame until the nylon spacer fitted to the bradawl touches the face of the jig.
- Now plug in the router and place the router with cutter and guide bush fitted, into the first aperture of the jig. Do not use the wavy edge on the blocks as a guide.
- A fourth bradawl is supplied if there is frame or jig bow.



**Extra care must be taken when routing top hinge.**



**Ensure working position is comfortable, especially when setting up the jig and routing a hinge recess in a door.**



**Always ensure at least three bradawls are used to hold jig: top lower sliding block, fixed jointing block and bottom upper sliding block.**

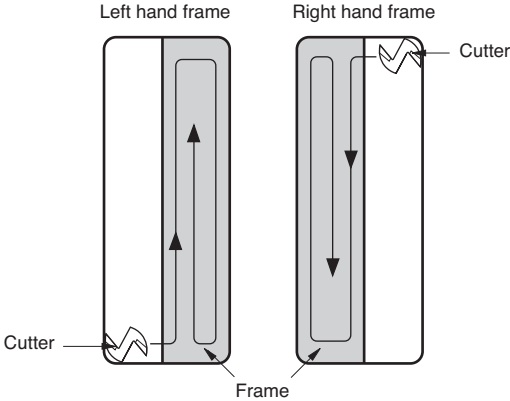


**Always place one bradawl in the fixed jointing block.**





- Position the guide bush in any corner of an aperture and plunge cutter into frame until depth, set by depth stop, is reached. Lock the carriage of the router in this position. Immediately start routing around the aperture in a clockwise direction. Then remove the waste from the centre of the aperture.



- Release the carriage of the router and repeat the procedure for the remaining apertures.
- Switch off router and remove jig from frame by pulling out bradawls with a twisting action.
- Square off rounded corners of hinge recess with a corner chisel Ref. C/CHISEL and hammer.



**Ensure the cutter and guide bush are positioned in the correct apertures. Do not use wavy edge on the blocks as a guide.**

After use of the jig, vacuum any dirt/debris from inside the extrusion channels. The jig should be disassembled by loosening the secondary locking knob and then loosen the joint block knurled locking knob. A tommy bar or 50mm long 1/4" hex shank tool can be used in the holes if tight.

The jig should then be stored carefully.



**Release the plunge action on the router after each hinge, as not doing so could result into cutting into the edge of the jig and causing damage.**

## Fitting the Door

- Fit hinges to door and raise upright.
- Use a jack to raise door until hinges align with recess.
- Screw leaves to frame.

Providing procedure is carried out correctly and that the frame/lining is plumb and parallel, then no adjustment should be necessary due to the identical mirror image positioning of the recesses in both the door and the frame.

## Other Points

If a larger gap is required to accommodate smoke seal or draft excluder, a packing piece can be temporarily glued or stuck to the swivel end plate in order to utilise the jig in the same technique and achieve accurate results.

If a new door is being hung in an existing frame or lining, the door height may be shortened by a timber threshold or parquet flooring or by a new screed. This may cause problems with the jig fitting the door.

## Finishing the Frames

The holes left by the bradawls are on both closing edges of the door and frame and are very unobtrusive. These can be easily filled with a matching coloured filler.

## ACCESSORIES

Please use only Trend original accessories.

- |                 |   |
|-----------------|---|
| Ref. 3/8LX1/4TC | 12mm diameter router  |
| TR12X1/4TC      | cutter with extra long shank.                                       |
| C019AX1/4TC     |   |
| Ref. D/STAND/A  | Door stand to hold the door whilst routing.                         |
| Ref. D/CLAMP/A  | Door clamp to hold the door whilst drilling and fitting locks.      |
| Ref. C/CHISEL   | Corner chisel for squaring corners of hinge recesses.               |
| Ref. D/LIFT/A   | Foot operated door lifter to support door while fitting into frame. |



## MAINTENANCE

Please use only Trend original spare parts and accessories.

The jig has been designed to operate over a long period of time with a minimum of maintenance. Continual satisfactory operation depends upon proper tool care and regular cleaning.

### Cleaning

- Regularly clean the jig with a soft cloth.
- Regularly clean the threads on the 'T' bolts.
- Remove any dust/debris from the extrusion channels.

### Lubrication

- Your jig requires no additional lubrication.

### Storage

- After use store jig in its case. Ensure long upper extrusion is placed first into case before short lower extrusion.

## ENVIRONMENTAL PROTECTION

**Recycle raw materials instead of disposing as waste.**

Packaging should be sorted for environmental-friendly recycling.

The product and its accessories at the end of their life should be sorted for environmental friendly recycling.

## GUARANTEE

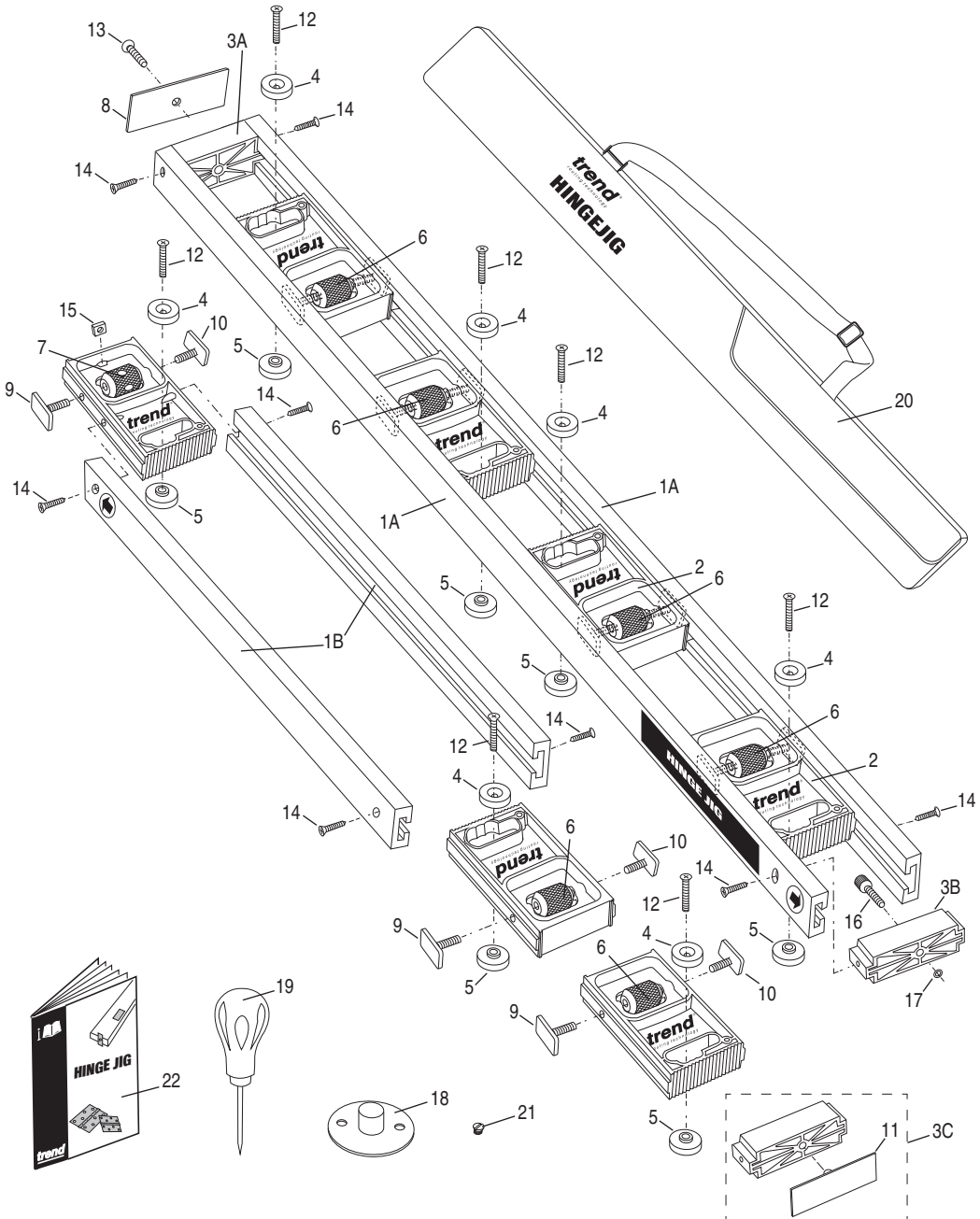
The jig carries a manufacturers guarantee in accordance with the conditions on the enclosed guarantee card.

Please use only Trend original spare parts.

<b>H/JIG/C - SPARE PARTS LIST</b>			<b>v2.0 08/2014</b>
<b>No.</b>	<b>Qty.</b>	<b>Desc.</b>	<b>Ref.</b>
1A	2	Extrusion Upper Long 1263mm	WP-HJ/C/01A
1B	2	Extrusion Lower Short 688mm	WP-HJ/C/01B
2	7	Sliding Locking Block Plastic	WP-HJ/C/02
3A	1	Fixed End Block Plastic	WP-HJ/C/03A
3B	1	Fixed End Block Plastic with M5 Insert	WP-HJ/C/03B
3C	1	Fixed End Block Plastic c/w Endcap	WP-HJ/C/03C
4	7	Edge Guide Alloy Through Hole	WP-HJ/C/04
5	7	Edge Guide Alloy Threaded Hole M5	WP-HJ/C/05
6	6	Locking Knob	WP-HJ/C/06
7	1	Locking Knob with Three Holes	WP-HJ/C/07
8	1	End Swivel Plate Alloy	WP-HJ/C/08
9	7	T Bolt M6 x 31mm RH	WP-HJ/C/09
10	7	T Bolt M6 x 31mm LH	WP-HJ/C/10
11	1	End Cap Plastic	WP-HJ/C/11
12	7	Machine Screw for Edge Guides M5 x 35mm Csk Pozi	WP-SCW/115
13	1	Machine Screw for End Plate M5 x 25mm Csk Pozi	WP-SCW/117
14	8	Self Tapping Screw 5.5mm Dia x 19mm (No.8)	WP-SCW/116
15	1	Square Nut M5 for Jointing Block DIN 557	WP-NUT/23
16	1	Knob M5 x 35mm	WP-HJ/C/16
17	1	O Ring Black for M5	WP-HJ/C/17
18	1	Guide Bush 16mm x 10mm Thin Wall	GB160
19	4	Bradawl 45mm Blade Length	WP-HJ/09B
20	1	Carry Case 1325mm	CASE/HJ/C
21	2	Machine screw M5 x 10 Csk Pozi	WP-SCW/13
22	1	Manual	MANU/HJ/C

**H/JIG/C - SPARE PARTS DIAGRAM**

v2.0 08/2014



## **QUICK START INSTRUCTIONS**

These instructions are provided for those who are confident with the router and are already familiar with the H/JIG/C.

### **Setting Up**

1. Fit router cutter and guide bush to router.
2. Position door with hanging edge uppermost.
3. Adjust the edge stops to width of hinge.

### **Routing the Door**

1. Place hinge jig on hanging edge of door.
2. Rotate the end plate to suit door.
3. Ensure end plate touches end of door.
4. Ensure edge-stops touch opening face of door.
5. Adjust top blocks to position of hinges.
6. Adjust bottom blocks to length of hinges.
7. Secure jig to door using the three bradawls in the sliding block with the hole type locking knob.
8. Adjust depth stop on router to thickness of hinge.
9. Switch router on and locate guide bush into aperture.
10. Plunge down router and rout clockwise.
11. Repeat routing operation for each hinge recess.
12. Chisel corners square by hand to receive hinges or use the corner chisel Ref. C/CHISEL and a hammer.

### **Routing the Frame**

1. Butt the end plate into the head of frame.
2. Ensure edge-stops touch edge of frame.
3. Secure jig to door frame using the three bradawls in the sliding block with the hole type locking knob.
4. Locate guide bush into aperture and switch router on.
5. Plunge down router and rout clockwise.
6. Repeat routing operation for each hinge recess.
7. Chisel corners square by hand to receive hinges or use the corner chisel Ref. C/CHISEL and a hammer.



**Ensure the cutter and guide bush are positioned in the correct apertures. Do not use wavy edge on the blocks as a guide.**



MANU/HJ/C v 2.1



RECYCLABLE

**Trend Machinery & Cutting Tools Ltd.**

Odhams Trading Estate St Albans Road

Watford WD24 7TR England

Tel: 0044(0)1923 249911

[technical@trendm.co.uk](mailto:technical@trendm.co.uk)

[www.trend-uk.com](http://www.trend-uk.com)

© Copyright Trend 2014. No part of this publication may be reproduced, stored or transmitted in any form without prior permission. Our policy of continuous improvement means that specifications may change without notice. Trend Machinery and Cutting Tools cannot be held liable for any material rendered unusable or any form of consequential loss. E&OE

© All registered trademarks acknowledged.