



Easyset PSC/101, 103 & 105



INST/PSC/101 v7.0

trend®

tool technology

Please read carefully before use

EASYSET PROFILE SCRIBER REF. PSC/101, 103 & 105

Thank you for purchasing this Trend router cutter, which should give lasting performance if used in accordance with these instructions.

You will find in this box one Easyset® Profile Scriber assembly and a shim set.

The following symbols are used throughout these instructions.



Denotes risk of personal injury, loss of life or damage to the tool in case of non-observance of the instructions.



Refer to the instruction manual of your power tool.

This cutter must not be put into service until it has been established that the power tool to be connected to this unit is in compliance with 2006/42/EC (identified by the CE marking on the power tool) or UK Statutory Instruments 2008 No. 1597 – The Supply of Machinery (Safety) Regulation (identified by UKCA marking on the power tool).

INTENDED USE

This cutter set is intended to be used in a fixed head routing machine to produce a cabinet frame and panel door in wood and MDF.

Material thickness: min. 18mm
max. 22mm

An ideal timber thickness is 20mm.

SAFETY

Please read and understand the safety points at the end of this instruction as well as the power tool instructions before use.

PLEASE KEEP THESE INSTRUCTIONS IN A SAFE PLACE.

The attention of UK users is drawn to The Provision and Use of Work Equipment Regulations 1998, and any subsequent amendments.

Users should also read the HSE/HSC Safe Use of Woodworking Machinery Approved Code of Practice and Guidance Document and any amendments.

Users must be competent in using woodworking equipment before using our products.

Ensure working position is comfortable and component is clamped securely. Please keep children and visitors away from tools and work area. All tools have a residual risk, so must therefore be handled with caution.

Attention should be made to the HSE's Safe Use of Vertical Spindle Moulding machines Information Sheet No. 18 and any revisions.

ITEMS REQUIRED

- Router with suitable collet fitted.
- Router table or overhead router stand.
- Hand tools.
- 13mm A/F spanner.
- Jig making equipment & materials.
- Workholder.

ITEMS ENCLOSED & DESCRIPTION OF PARTS

- A. Arbor **x1**
- B. Nut 13mm A/F **x1**
- C. Profile block **x1**
- D. Groover **x2**
- E. Bearing 22mm dia. **x2**
- F. Washer 1.0mm **x1**
- G. Shims 0.1mm **x3**
- H. Shims 0.05mm **x3**
- I. Instructions **x1**

ASSEMBLY

Changes in tightness can be achieved by adding or removing shims G & H. This is most important after resharpening.

The cutter height is simply lowered or raised to cut the scribe or profile on the wood.

The ball bearings will automatically give the correct depth of cut. Ref. PSC/101 is illustrated.

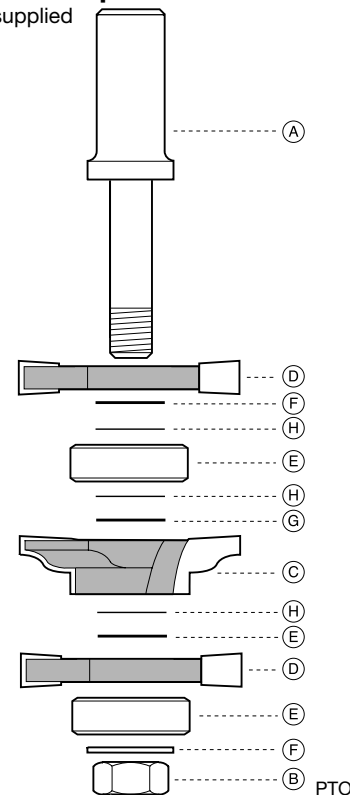
The cutter is supplied when purchased with all the cutting edges in line, the parts D, C, R and D should be assembled square to each other (turn one through 90°) to reduce cutting impact.



When using stacked tooling (multi-blade, block, groover etc.) on a spindle arbor, ensure that the cutting edges are staggered to each other to reduce the cutting impact.

NOTE: Diagrams show cutting edge not staggered for clarity.

Cutter Set-up as supplied



ENVIRONMENTAL PROTECTION

Recycle raw materials instead of disposing as waste.

Packaging should be sorted for environmental-friendly recycling. The product and its accessories at the end of its life should be sorted for environmental-friendly recycling.

WARRANTY

The cutter carries a manufacturer's warranty in accordance with the conditions on our website www.trend-uk.com

© Trend Tool Technology Ltd.
2013, 2016, 2025 E&OE

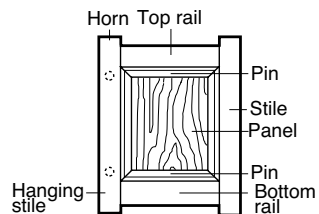
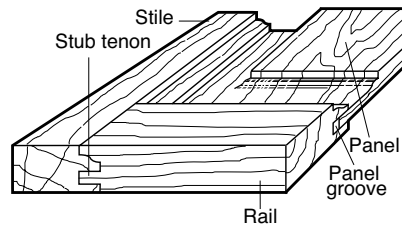
® All trademarks acknowledged

Trend Tool Technology Ltd.
Watford, WD24 7TR, England
www.trend-uk.com

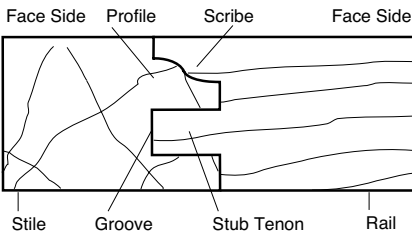
EU Importer:
Trend Tool Technology Ltd.
Ground Floor, Two Dockland Central,
Guild Street, North Dock, Dublin 1,
D01 K2C5, Ireland
technical@trend-eu.com
www.trend-eu.com



Parts of a Panelled Door



The Joint



OPERATION



Carefully remove the protective wax from the cutter and dispose.

Insert the cutter shank into the collet at least all the way to the marked line indicated on the shank. This ensures at least 3/4 of the shank length is held in the collet.

Cutting the Scribe

Material should be squared all round to ensure perfect joints are achieved. Always unplug the router from the power supply before making any adjustments and ensure that the cutter is guarded so that operator's fingers cannot contact the cutter.

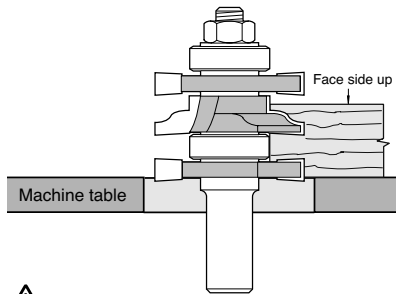
On particularly hard timbers it is advisable to take shallow passes. This can be achieved by using the back fence. The final cut using the ball bearing as a guide.

The set is supplied with spare shims for use with the set after resharpening or if especially tight or loose joints are required. The cutter should be used at the full speed of the router.

The groover, ball bearing and cutter block nearest the shank of the arbor are used for cutting the scribe across the ends of the rail. When routing inverted in a table the scribe is cut with the face side of the wood facing up. A workholder should be used as the rails will be too narrow to run against a fence.

This also has the advantage of making the operation safer and more accurate.

The height of the cutter should be adjusted according to the thickness of the timber between 18mm to 22mm.



Consider working environment before using tools.



Ensure working position is comfortable and component is clamped securely.



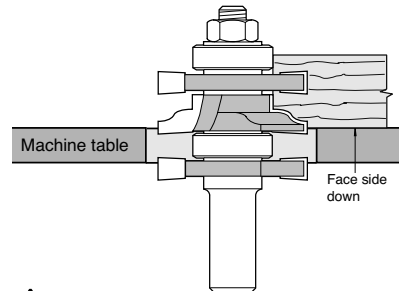
Recommended speed is 18,000 rpm.



Before using cutter, please ensure it is correctly assembled and locking nut is fully tightened.

Cutting the Profile

When the scribes on the ends of the rails have been cut, raise the height of the cutter so that the groover, ball bearing and cutter which is nearest the arbor shank can be used to cut the profile. The profile is cut along the wood. When routing inverted in a table the face side of the wood is facing down.



When using the sets at minimum timber thickness the height of the top quirk may be reduced.

SPARE PARTS

Please use only Trend original spare parts and accessories.

Item	Qty.	Desc.	Ref. (1 off)
A	1	Replacement 1/2" Arbor	33/32X1/2
B	1	Replacement arbor nut	ANUT/33/30
C	1	Profile block for PSC/101 Profile block for PSC/103 Profile block for PSC/105	PSC/1A PSC/3A PSC/5A
D	2	Groover for PSC/101, PSC/103 & PSC/105	SP-34/70TC
E	2	Bearing 22mm Ø	BB22
		Spacer set	SPACER/8
I	1	Instructions	INST/PSC/101

MAINTENANCE

Continual satisfactory operation depends upon proper tool care and regular cleaning.

Cleaning

- Ensure clamping surfaces are cleaned to remove dirt, grease, oil and water.
- Remove resin build-up regularly.
- Apply a rust protector to shanks.

Lubrication

- Use a PTFE dry lubricant spray on tool to increase cutting edge life.

Storage

- Always return cutter to its packaging after use.

Safety Points

1. Disconnect power tool attachment from power supply when not in use, before servicing, when making adjustments and when changing accessories such as cutters. Ensure switch is in "off" position and cutter has stopped rotating.
 2. Read and understand instructions supplied with power tool, attachment and cutter.
 3. Current Personal Protective Equipment (PPE) for eye, ear and respiratory protection must be worn. Keep hands, hair and clothes clear of the cutter.
 4. Before each use check cutter is sharp and free from damage. Do not use if cutter is dull, broken or cracked or if any damage is noticeable or suspected. Only use tools for woodworking to EN847 safety standard. Ensure cutting tool is suitable for application.
 5. The maximum speed (n_{max}) marked on tool or in instructions or on packaging shall not be exceeded. Where stated, the speed range should be adhered to.
 6. Insert the shank into the router collet at least all the way to the marked line indicated on the shank. This ensures at least 3/4 of the shank length is held in collet. Ensure clamping surfaces are clean.
 7. Check all fixing and fastening nuts, bolts and screws on power tool, attachment and cutting tools are correctly assembled, tight and to correct torque setting before use.
 8. Ensure all visors, guards and dust extraction is fitted.
 9. The direction of routing must always be opposite to the cutter's direction of rotation.
 10. Do not switch power tool on with the cutter touching the workpiece.
 11. Trial cuts should be made in waste material before starting any project.
 12. Repair of tools is only allowed according to tool manufacturers instructions.
 13. Do not take deep cuts in one pass, take shallow passes to reduce the side load applied to the cutter.
 14. User must be competent in using woodworking equipment before using our products. Dress properly, no loose clothing/jewellery, wear protective hair covering for long hair.
 15. Consider working environment before using tools. Ensure working position is comfortable and component is clamped securely. Keep proper footing and balance at all times. Check work area for obstructions. Keep control of power tool at all times.
 16. Please keep children and visitors away from tools and work area.
 17. All tools have a residual risk so must therefore be handled with caution.
 18. Only use Trend original spare parts and accessories.
- If you require further safety advice, technical information, or spare parts, please call Trend Technical Support or visit www.trend-uk.com

Our policy of continuous improvements mean that specifications may change without notice. Trend Tool Technology Ltd. cannot be held liable for any material rendered unusable, or for any form of consequential loss.