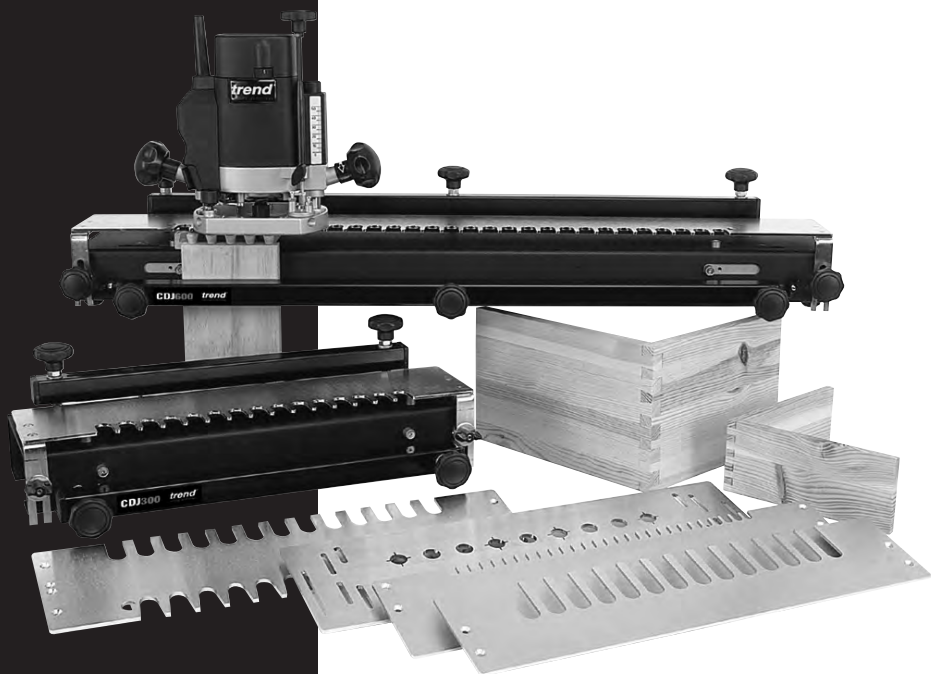




CDJ300 & CDJ600



trend[®]
routing technology



Please read these instructions before use.

Dear Customer

Thank you for purchasing this Trend product, we hope you enjoy many years of creative and productive use.

Please remember to return your guarantee card within 28 days of purchase.

CONTENTS

TECHNICAL DATA	1
SAFETY	2-3
ITEMS ENCLOSED	4
DESCRIPTION OF PARTS	5
ASSEMBLY	
– CDJ300	6-7
– CDJ600	8
– CDJ600 Sliding Edge Guide Stops	9
– Mounting to Workboard	10
– Aligning Workpieces	10
– Clamping Bars & Knobs	10
– Template Comb Fitting & Adjustment	11
– Setting up the Router	12
TEMPLATE SPECIFICATION	14-17
TIMBER PREPARATION	
– Lapped Dovetails	18
– Box Joints (Accessory)	19
– Through Dovetails (Accessory)	20
OPERATION	
– Routing the Workpiece	21
– Standard 1/2”(12.7mm) Lapped D/tail	22-24
– 1/2”(12.7mm) Rebated Lapped D/tail	25-26
OPTIONAL ACCESSORIES	
– 1/4”(6.35mm) Lapped 01	27-28
– 1/4”(6.35mm) Rebated Lapped 01	29
– Box Comb 02 & 03	30-31
– 32mm Centre Dowel 04	32-35
– Through Dovetail 05 & 06	36-38
MAINTENANCE	39
ENVIRONMENTAL PROTECTION	39
SPARE PARTS	
– Spare Parts List	40-43
– Spare Parts Diagram	44-46
TROUBLE SHOOTING	47

TECHNICAL DATA

Dovetail cutter size		12.7mm
Max. workpiece width		
	CDJ300	300mm
	CDJ600	600mm
Workpiece thickness		12-25mm
Max. router base dia.		180mm
Guide bush size		15.8mm
Weight	CDJ300	6.2kg
	CDJ600	11.3kg

The following symbols are used throughout this manual:



Denotes risk of personal injury, loss of life or damage to the tool in case of non-observance of the instructions in this manual.



Refer to the instruction manual of your power tool.



Wear Personal Protective Equipment (PPE). Ear, eye and respiratory protection must be worn.

This unit must not be put into service until it has been established that the power tool to be connected to this unit is in compliance with 2006/42/EC (identified by the CE marking on the power tool).

INTENDED USE

This accessory is intended to be used with a portable router with suitable cutter, guide bush and fine height adjuster fitted to cut dovetail joints in natural timbers.



If you require further safety advice, technical information or spare parts, please call Trend Technical Support or visit www.trend-uk.com

SAFETY

WARNING:



Observe the safety regulations in the instruction manual of the power tool to be used. Please read the following instructions carefully. Failure to do so could lead to serious injury. When using electric tools, basic safety precautions, including the following should always be followed to reduce the risk of fire, electric shock and personal injury. Also observe any applicable additional safety rules. Read the following safety instructions before attempting to operate this product.

PLEASE KEEP THESE INSTRUCTIONS IN A SAFE PLACE.

The attention of UK users is drawn to The Provision and Use of Work Equipment Regulations 1998, and any subsequent amendments.

Users should also read the HSE/HSC Safe Use of Woodworking Machinery Approved Code of Practice and Guidance Document and any amendments.

Users must be competent with woodworking equipment before using our products.

IMPORTANT NOTE:

Residual Risk. Although the safety instructions and operating manuals for our tools contain extensive instructions on safe working with power tools, every power tool involves a certain residual risk which cannot be completely excluded by safety mechanisms. Power tools must therefore always be operated with caution!

General

1. Disconnect power tool and attachment from power supply when not in use, before servicing, when making adjustments and when changing accessories such as cutters. Ensure switch is in "off" position. Always ensure cutter has stopped rotating.
2. Always mount the power tool, accessory or attachment in conformity with the instructions. Only use attachment and accessories specified in the power tool manual. The tool or attachment should not be modified or used for any application other than that for which it was designed. Do not force tool.
3. Keep children and visitors away. Do not let children or visitors touch the tool, accessory or attachment. Keep children and visitors away from work area. Make the workshop child proof with padlock and master switch.
4. Dress properly. Do not wear loose clothing or jewellery, they can be caught in moving parts. Rubber gloves and non-skid footwear is recommended when working outdoors. Wear protective hair covering to contain long hair.

5. Consider working environment. Do not use the product in the rain or in a damp environment. Keep work area well lit. Do not use power tools near gasoline or flammable liquids. Keep workshop at a comfortable temperature so your hands are not cold. Connect machines that are used in the open via a residual current device (RCD) with an actuation current of 30 mA maximum. Use only extension cables that are approved for outdoor use.
6. The accessory or attachment must be kept level and stable at all times.
7. Keep work area clean. Cluttered workshops and benches can cause injuries. Ensure there is sufficient room to work safely.
8. Secure idle tools. When not in use, tools should be stored in a dry and high or locked up place, out of reach of children.
9. For best control and safety use both hands on the power tool and attachment. Keep both hands away from cutting area. Always wait for the spindle and cutter to stop rotating before making any adjustments.
10. Always keep guards in place and in good working order.
11. Remove any nails, staples and other metal parts from the workpiece.
12. Maintain tools and cutters with care. Keep cutters sharp and clean for better and safer performance. Do not use damaged cutters. Follow instructions for lubricating and changing accessories. Keep handles dry, clean and free from oil and grease.
13. Maintain accessories. Do not use damaged accessories. Only use accessories recommended by the manufacturer.
14. Check damaged parts. Before operation inspect the attachment, the power tool, the cable, extension cable and the plug carefully for signs of damage. Check for alignment of moving parts, binding, breakage, mounting and any other conditions that may effect its operation. Have any damage repaired by an Authorised Service Agent before using the tool or accessory. Protect tools from impact and shock.
15. Do not use tool if switch does not turn it on or off. Have defective switches replaced by an Authorised Service Agent.
16. Don't over reach. Keep proper footing and balance at all times. Do not use awkward or uncomfortable hand positions.
17. Don't abuse the cable. Never carry power tool or accessory by cord or pull it to disconnect from the socket.

Keep cord from heat, oil and sharp edges. Always trail the power cord away from the work area.

18. Connect dust extraction equipment. If devices are provided for the connection of dust extraction and collection facilities, ensure these are connected and properly used.
19. Check all fixing and fastening nuts, bolts and screws on power tool, attachment and cutting tools before use to ensure they are tight and secure. Periodically check when machining over long periods.
20. Stay alert. Watch what you are doing. Use common sense. Do not operate tools when you are tired, under the influence of drugs or alcohol.
21. Personal Protective Equipment (PPE) for eye, ear and respiratory protection must be worn. All PPE must meet current UK and EU legislation.
22. Do not leave tools running unattended. Do not leave tool until it comes to a complete stop.
23. Always clamp workpiece being machined securely.
24. Only use cutting tools for woodworking that meet EN847-1/2 safety standards, and any subsequent amendments.
25. Vibration levels. Hand held power tools produce different vibration levels. You should always refer to the specifications and relevant Health & Safety Guide.

Routing Safety

1. Read and understand instructions supplied with power tool, attachment and cutter.
2. Keep hands, hair and clothing clear of the cutter.
3. Remove adjusting keys and spanners. Check to see that keys and adjusting spanners are removed from the router tool, cutter and attachment before turning router on. Make sure cutter can rotate freely.
4. Noise. Take appropriate measures for the protection of hearing if the sound pressure of 85dB(A) is exceeded. Routing sound pressure may exceed 85dB(A), so ear protection must be worn.
5. Eye protection. Always wear eye protection in the form of safety goggles, spectacles or visors to protect the eyes.
6. Respiratory protection. Always wear a face or dust mask, or powered respirator. Dust masks/filters should be changed regularly.
7. Do not switch router on with the cutter touching the workpiece. At the end of the cut, release the router plunge and allow spindle to stop rotating. Never use the spindle lock as a brake

8. The direction of routing must always be opposite to the cutter's direction of rotation. Do not back-cut or climb-cut.
9. Check before cutting that there are no obstructions in the path of the router. Ensure there are no obstacles beneath workpiece when cutting full thickness, and that a sacrificial work surface is used.
10. Hold power tool by insulated gripping surfaces, because the cutter may contact its own cord. Cutting the "live" wire may make exposed metal parts of the powertool "live" and shock the operator.
11. Use clamps or another practical way to secure and support the workpiece to a stable platform. Holding the work by your hand or against the body leaves it unstable and may lead to loss of control.
9. Cutter shanks should be inserted into the collet all the way to the line indicated on the shank. This ensures that at least $\frac{3}{4}$ of the shank length is held in the collet. Ensure clamping surfaces are cleaned to remove dirt, grease, oil and water.
10. Observe the correct assembly and fitting instructions in the router instruction manual for fitting the collet, nut and cutter.
11. Tool and tool bodies shall be clamped in such a way that they will not become loose during operation. Care shall be taken when mounting cutting tools to ensure that the clamping is by the shank of the cutting tool and that the cutting edges are not in contact with each other or with the clamping elements.
12. It is advisable to periodically check the collet and collet nut. A damaged, worn or distorted collet and nut can cause vibration and shank damage. Do not over-tighten the collet nut.
13. Do not take deep cuts in one pass; take several shallow or light passes to reduce the side load applied to the cutter and router. Too deep a cut in one pass can stall the router.
14. In case of excessive vibrations whilst using the router stop immediately and have the eccentricity of the router, router cutter and clamping system checked by competent personnel
15. All fastening screws and nuts should be tightened using the appropriate spanner or key and to the torque value provided by the manufacturer.
16. Extension of the spanner or tightening using hammer blows shall not be permitted.
17. Clamping screws shall be tightened according to instructions provided by the manufacture. Where instructions are not provided, clamping screws shall be tightened in sequence from the centre outwards.
18. Do not touch the cutter immediately after operation; it may be extremely hot and could burn your skin.
- fitting a false fence on the back fence.
5. Whenever possible use a work holding device or jig to secure component being machined. Ensure any attachment is securely fitted to the workbench, with table surface at approximately hip height.
6. Use a No-Volt Release Switch. Ensure it is fixed securely, easily accessible and used correctly.
7. In router table (inverted) mode, stand to the front right of the table. The cutter will rotate anti-clockwise when viewed from top so the feed direction is from the right (against the rotation of the cutter). In overhead mode, stand to the front left of the machine table and the feed direction is from the left.
8. Do not reach underneath table or put your hands or fingers at any time in the cutting path while tool is connected to a power supply.
9. Never thickness timber between the back of the cutter and the backfence.

Router Cutter Safety

1. Cutting tools are sharp. Care should be taken when handling them. Do not drop cutters or knock them against hard objects. Handle very small diameter cutters with extra care. Always return cutter to its packaging after use.
2. Always use cutters with a shank diameter corresponding to the size of the collet installed in your tool.
3. The maximum speed (n.max) marked on the tool, or in instructions or on packaging shall not be exceeded. Where stated the speed range shall be adhered to. Recommended speeds are shown in the Trend Routing Catalogue and/or website.
4. Always use router cutters in a router. Drill and boring bits must not be used in a router. Router cutters must only be used for the material cutting application for which they are designed. Do not use on metal or masonry.
5. Never use cutters with a diameter exceeding the maximum diameter indicated in the technical data of the powertool or attachment used.
6. Before each use check that the cutting tool is sharp and free from damage. Do not use the cutting tool if it is dull, broken or cracked or if in any other damage is noticeable or suspected.
7. Cutters should be kept clean. Resin build up should be removed at regular intervals with Resin Cleaner. The use of a PTFE dry lubricant will reduce resin build up. Do not use PTFE spray on plastic parts.
8. When using stacked tooling (multi-blade, block and groover etc.) on a spindle arbor, ensure that the cutting edges are staggered to each other to reduce the cutting impact.

Useful Advice When Routing

1. Judge your feed rate by the sound of the motor. Feed the router at a constant feed rate. Too slow a feed rate will result in burning.
2. Trial cuts should be made on waste material before starting any project.
3. When using some attachments e.g. a router table or dovetail jig, a fine height adjuster is recommended.
4. When using a template guide bush, ensure there is sufficient clearance between cutter tip and inside edge of bush and that it cannot come into contact with collet and nut. Ensure cutter and guide bush are concentric.

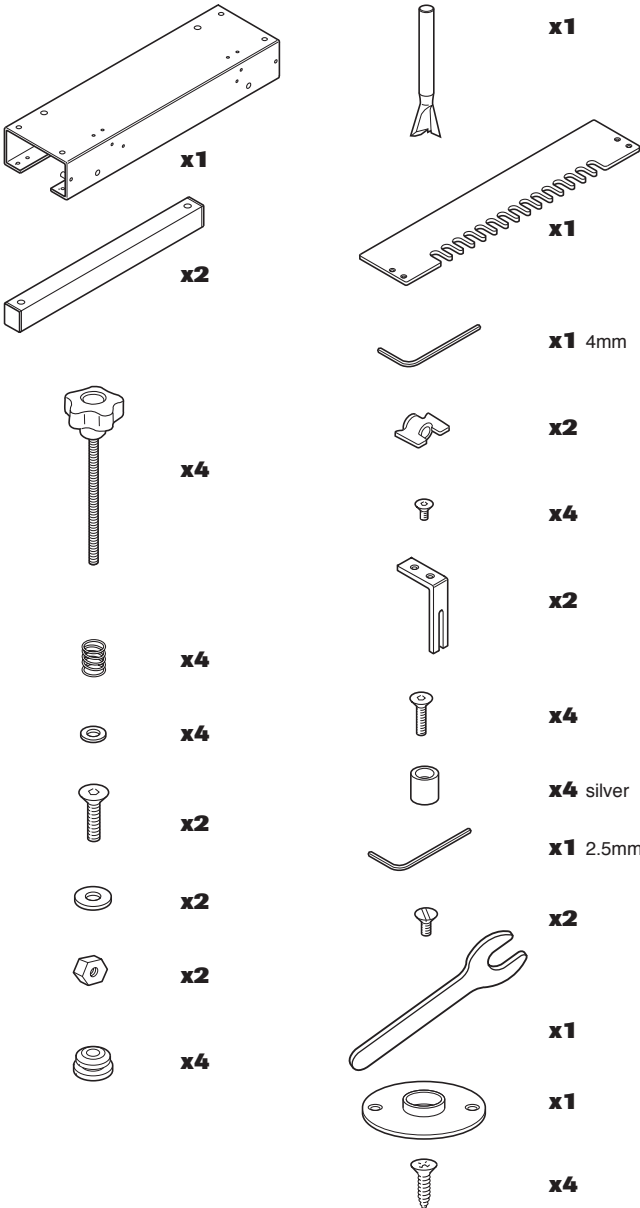
Router Cutter Repair/Maintenance

1. Repair of tools is only allowed in accordance with the manufacturers instructions.
2. The design of composite (tipped) tools shall not be changed in process of repair. Composite tools shall be repaired by a competent person i.e. a person of training and experience, who has knowledge of the design requirements and understands the levels of safety to be achieved.
3. Repair shall therefore include, e.g. the use of spare parts which are in accordance with the specification of the original parts provided by the manufacturer.
4. Tolerances which ensure correct clamping shall be maintained.
5. Care shall be taken that regrinding of the cutting edge will not cause weakening of the body and the connection of the cutting edge to the body.

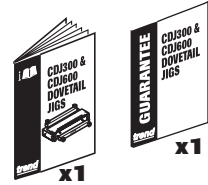
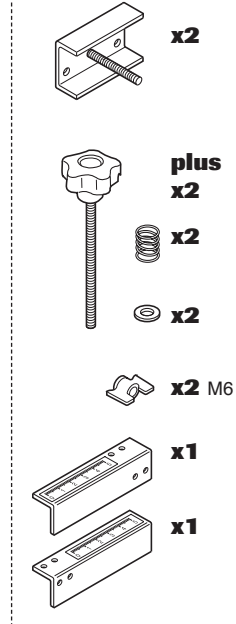
Using Routers In A Fixed Position

1. Attention should be made to the HSE's Safe Use of Vertical Spindle Moulding Machines Information Sheet No.18 and any revisions.
2. After work, release the router plunge to protect the cutter.
3. Always use a push-stick or push-block when making any cut less than 300mm in length or when feeding the last 300mm of the cut.
4. The opening around the cutter should be reduced to a minimum using suitably sized insert rings in the table and closing the back fence cheeks or

ITEMS ENCLOSED



Additional items for CDJ600 only

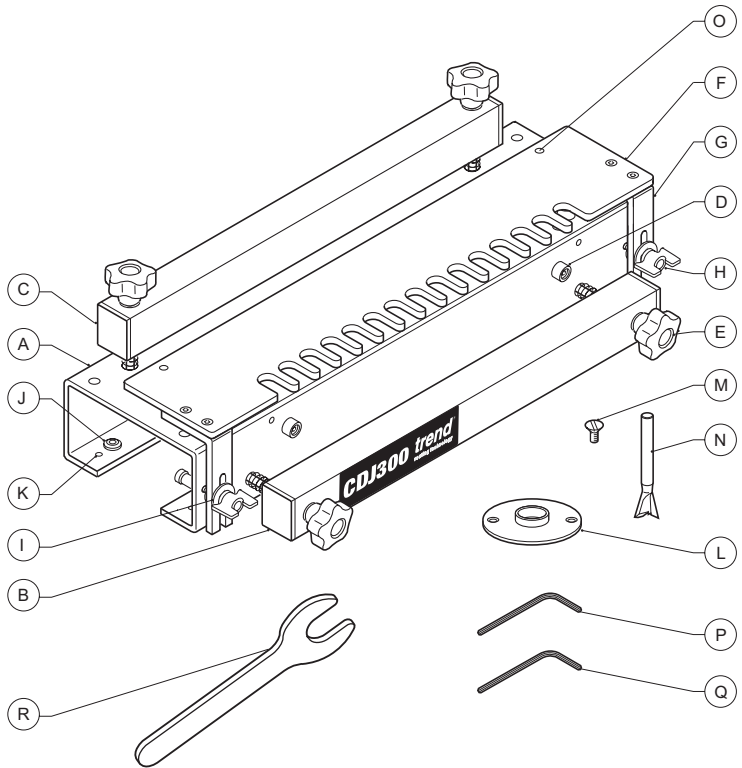


ITEMS REQUIRED

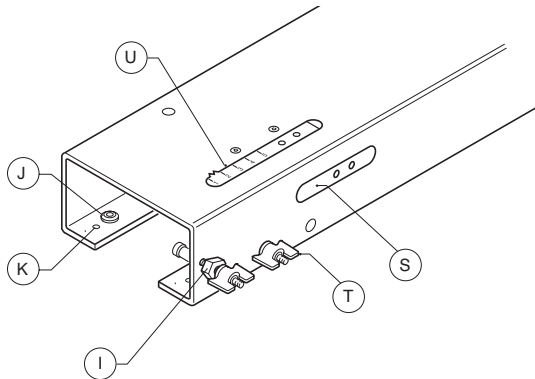
- Router with suitable collet size fitted.
- Fine height adjuster.
- False base board.
- 2 x clamps.
- No. 2 Pozi Screwdriver.
- Hand tools.

DESCRIPTION OF PARTS

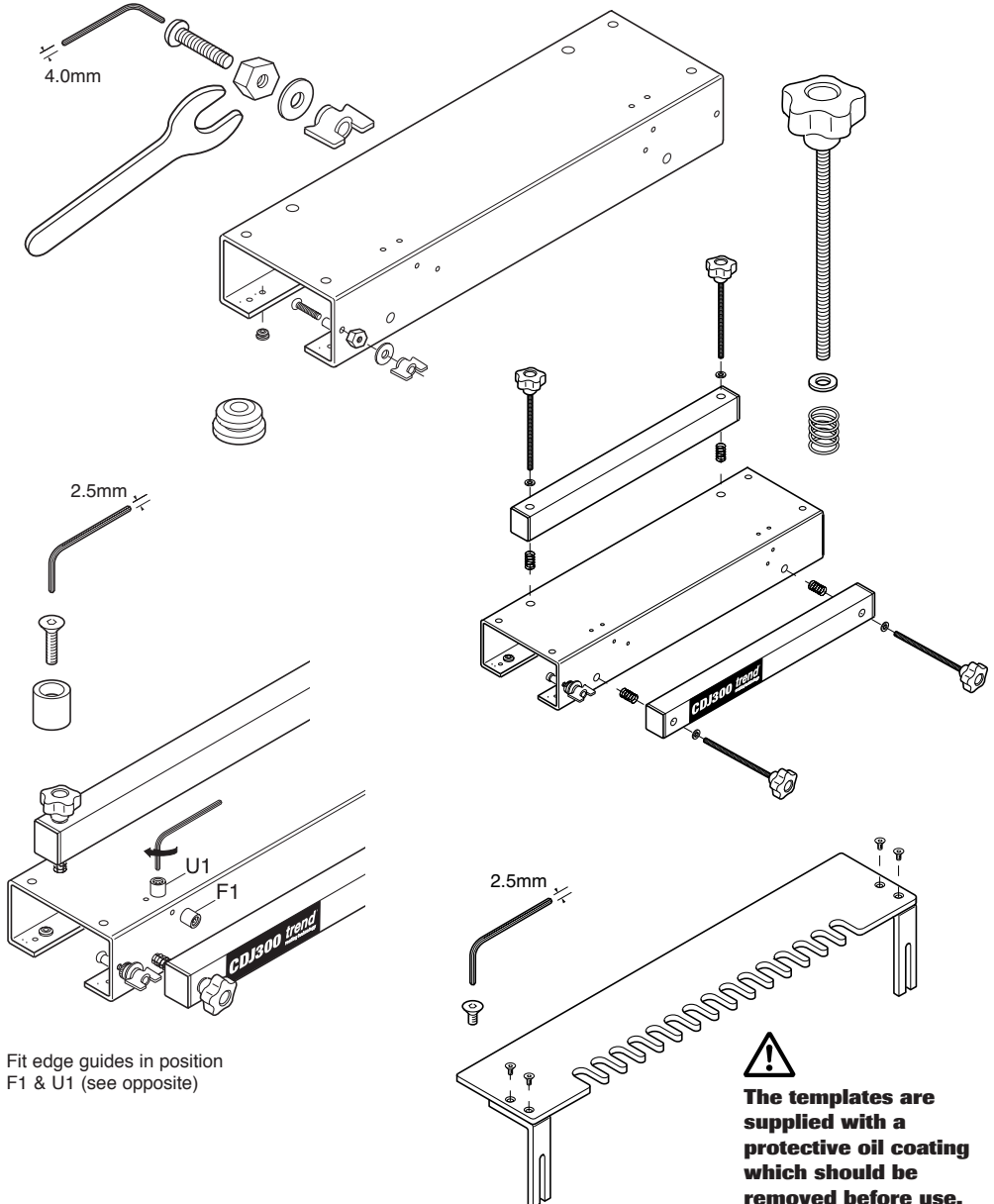
- (A) Jig body
- (B) Front clamp bar
- (C) Top clamp bar
- (D) Edge guide
- (E) Clamp bar knob
- (F) Template comb
- (G) Template comb bracket
- (H) Comb adjustment lock knob
- (I) Comb adjustment lock
- (J) Bench rubber feet
- (K) Bench fixing hole
- (L) Guide bush 15.8mmØ
- (M) Guide bush fixing screw
- (N) Dovetail cutter 104° x 12.7mmØ
- (O) Edge guide and screw storage location
- (P) Hex key 2.5mm A/F
- (Q) Hex key 4mm A/F
- (R) Comb adjustment spanner



- For CDJ600**
- (S) Sliding edge stop (left side only shown)
 - (T) Sliding edge stop locking knob (left side only shown)
 - (U) Sliding edge stop scale (left side only shown)



ASSEMBLY CDJ300

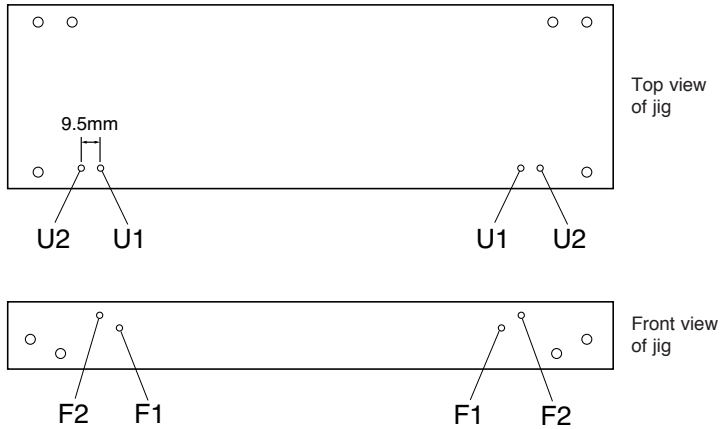


Fit edge guides in position
F1 & U1 (see opposite)

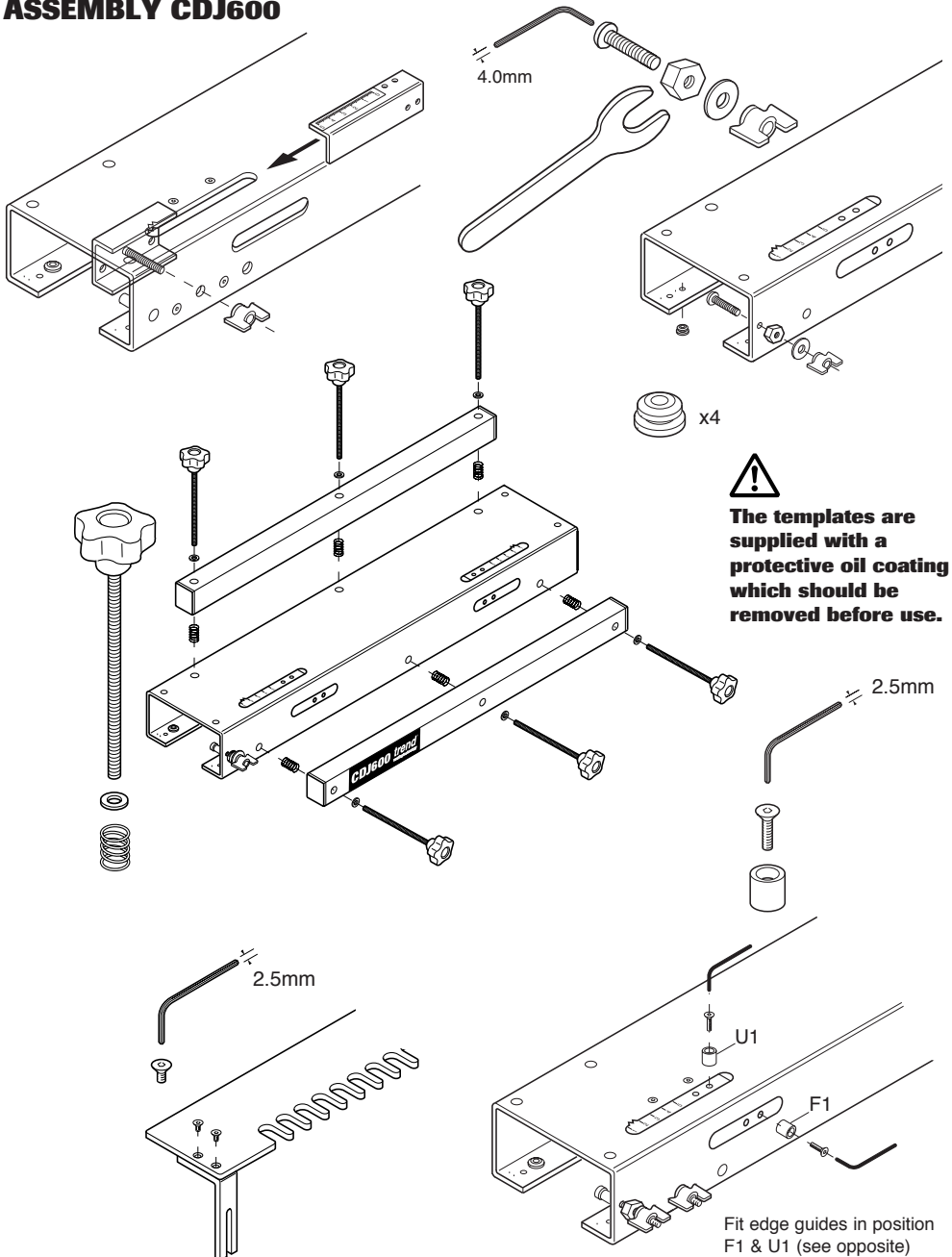
**CDJ300 Template
Edge Guide Holes**

The edge guides are used to position the workpiece within the jig. There are four holes in each jig. The CDJ300 has fixed edge guides, therefore these will dictate whether a whole or part pin will be cut on the workpiece. This is called the offset. User made spacers could be used to pack out from both edge guides to equal the joint and give symmetrical joint.

The distance between U1 and U2 is 9.5mm. This is for rebated drawer fronts.



ASSEMBLY CDJ600



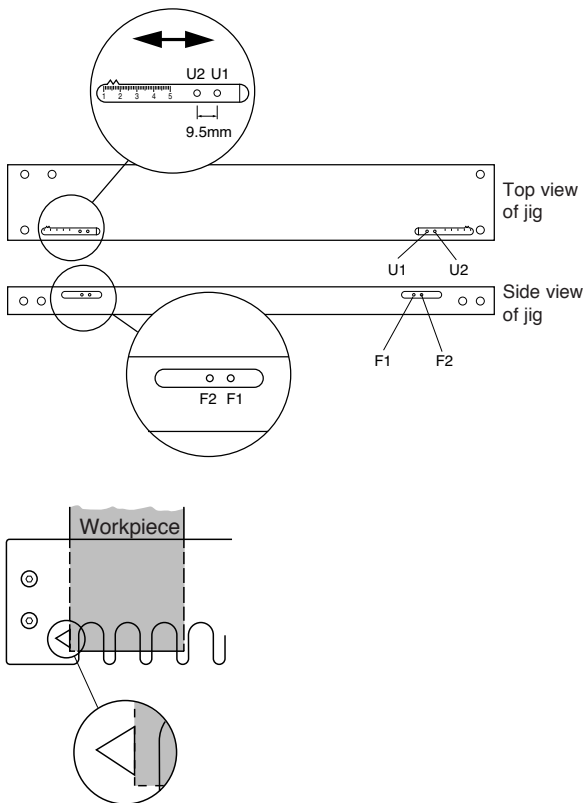
The templates are supplied with a protective oil coating which should be removed before use.

CDJ600 Sliding Edge Guide Stops Adjustment

The CDJ600 has sliding stops. This enables the workpiece to be centred, giving a symmetrical dovetail joint.

The sliding stop has a scale to allow a more precise offset to be calculated to ensure symmetrical joints.

- ① Loosen knob. Move sliding stop away from centre of jig
- ② Loosely fit workpiece under top clamp.
- ③ Fit comb assembly and tighten knobs
- ④ Move workpiece so that edge lines up with edge of sight hole on template - for lapped, dowel and through dovetails only. For other templates see appropriate section.
- ⑤ Lock top clamp bar knobs. Slide sliding stop towards edge of workpiece and lock in position with knob.
- ⑥ Repeat for other side.



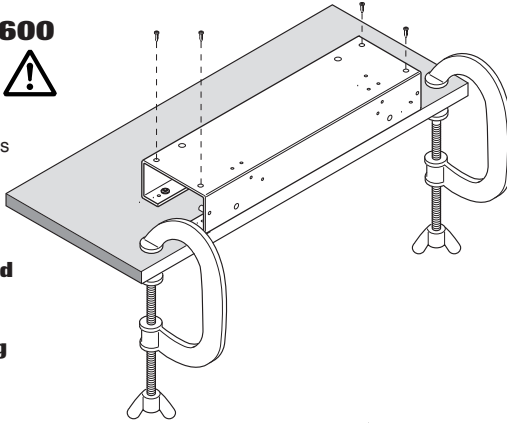
CDJ600 Middle Clamp Bar Knobs

Middle clamp bar knobs are provided when using workpiece less than 305mm. This ensures workpiece is held securely.

When using workpiece over 305mm wide the middle knobs must be removed.

**CDJ300 & CDJ600
Mounting to
Workboard**

Fix the jig body to a workboard with the screws supplied.



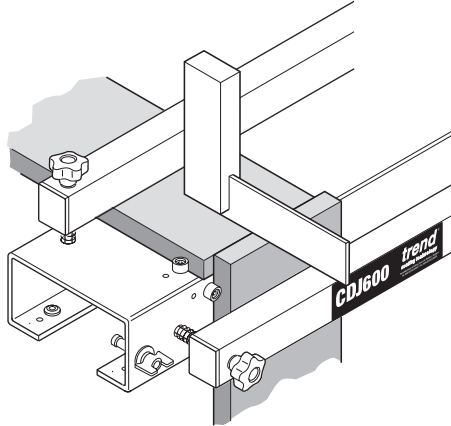
Ensure jig is clamped securely to worktop and placed at a comfortable working height.



Consider working environment before using tool.

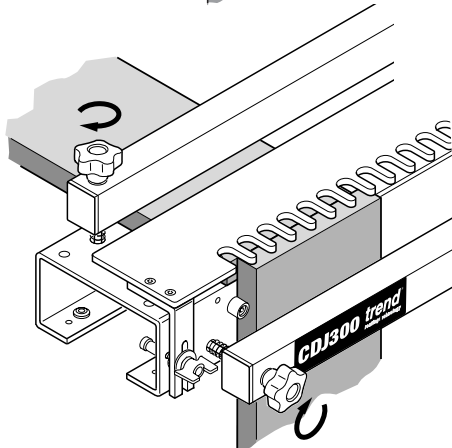
**Aligning
Workpieces**

Ensure top of front workpiece is flush with back workpiece using a square.



**Clamping Bars
and Knobs**

Do not overtighten clamping knobs. The clamping bar must be tightened parallel to the jig. If working to one side of jig it is advisable to release the opposite side clamping knob first.



**Requires:
No.2 Pozi[®]
Screwdriver
(not supplied)**



No.2
x4



All drawings show left hand edge guides being used. The same procedure is carried out for right hand edge guides.



Please note that dimensions are approximate.



All cutter depths are as a guide only.



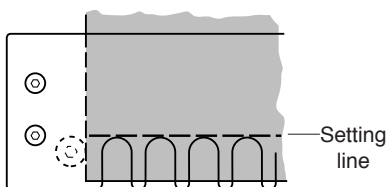
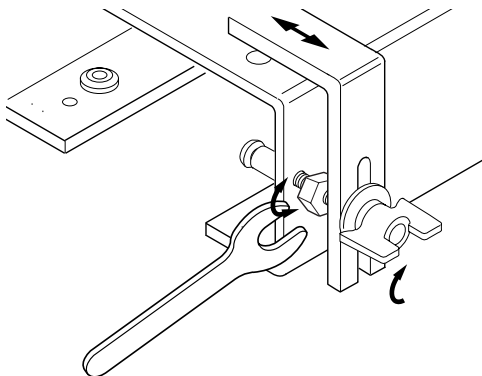
Ensure working position is comfortable. Keep proper footing at all times.



Ensure jig is clamped securely to worktop and placed at a comfortable working height.

Template Comb Fitting and Adjustment

- ① To adjust depth of template comb and therefore pin socket, loosen adjustment stop using a hex key.
- ② Turn adjustment stop towards jig body for deeper sockets.
- ③ To set up the position for the template comb, a setting line is drawn on a workpiece. This is used to line up the back of the template comb.
- ④ One revolution equals 1mm movement.
- ⑤ Once set lock adjustment stop with hex key.
- ⑥ Ensure template comb is always parallel to workpiece.



A packing piece the same thickness as the timber being clamped in the top clamp should be used to support the template comb.

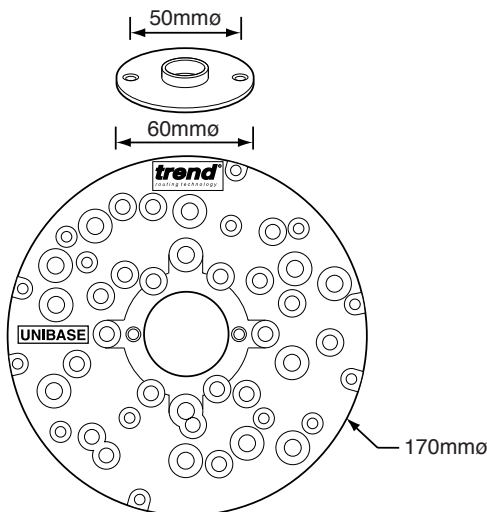
Guide Bushes

The bushes supplied with the jig and accessories are a standard Trend pattern. They will fit most Trend, Elu and DeWalt routers directly.

For other makes and model of router a sub-base may be required to allow the guide bush to be fitted. The Ref. UNIBASE has been designed for use with a variety of routers; it also ensures concentricity between cutter and guide bush ensuring accuracy.

For Trend T3/T4 it is recommended that the Ref. UNIBASE is used to provide greater accuracy and support to the router base.

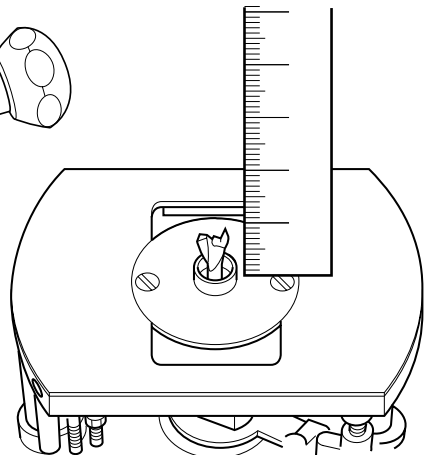
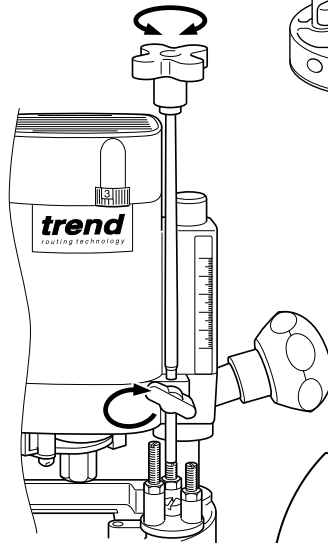
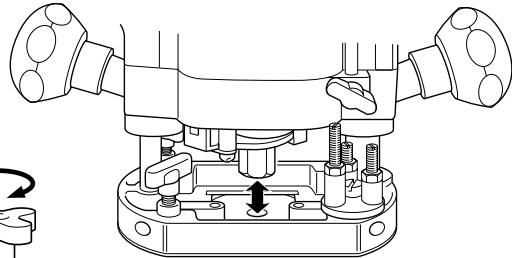
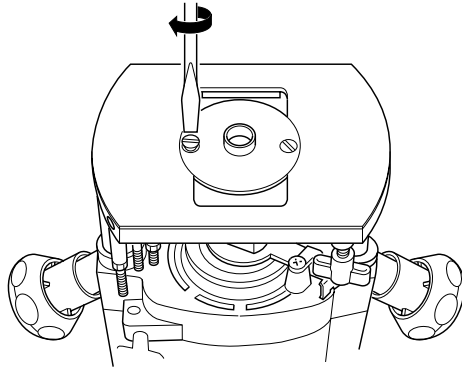
It also ensures that the guide bush spigot will project sufficiently from the router base, alternatively a longer spigot guide bush is supplied for certain template accessories.



Setting up the Router



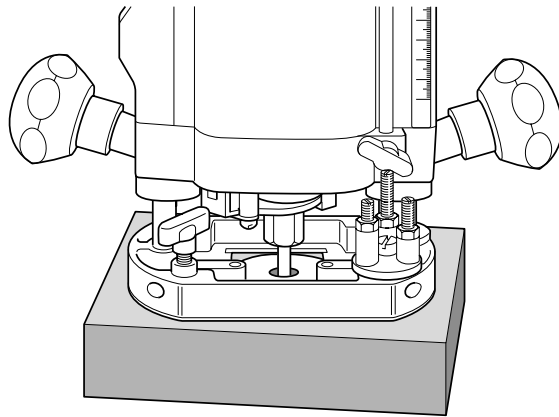
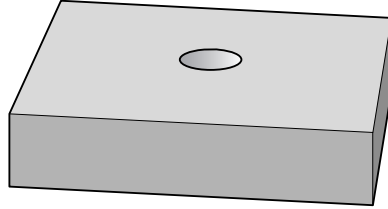
- ① Isolate router from power supply.
- ② Fit relevant guide bush to router. Refer to table in each appropriate section.
- ③ Fit fine height adjuster (if available) to router. (Not required for dowel jointing.)
- ④ Plunge the router so that the collet nearly touches guide bush to minimise protection of the cutter.
- ⑤ Fit router cutter into router.
- ⑥ Set cutter height. Refer to table in relevant sections.



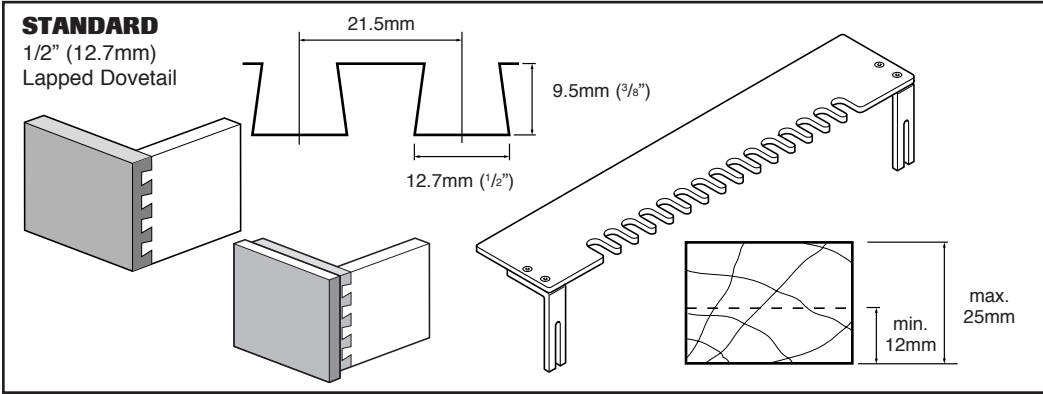
Making a Router Stand Block

As the cutter should not be retracted into the router when dovetailing, a useful aid is a Router Stand Block.

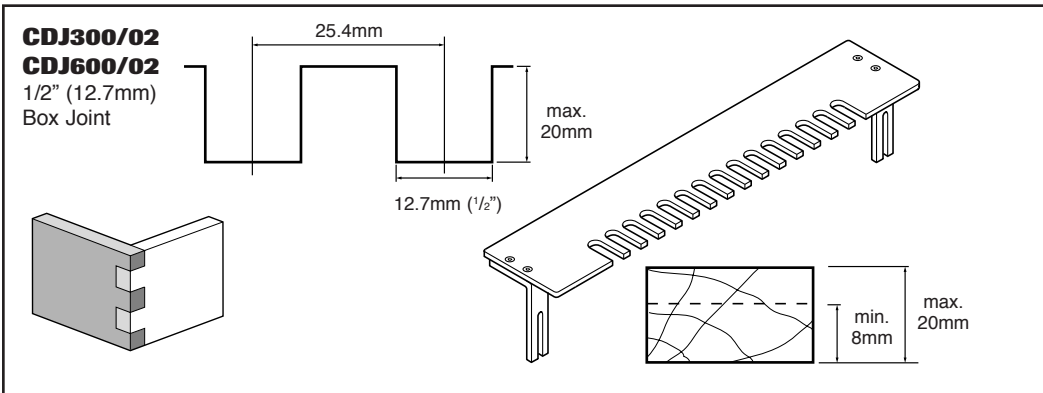
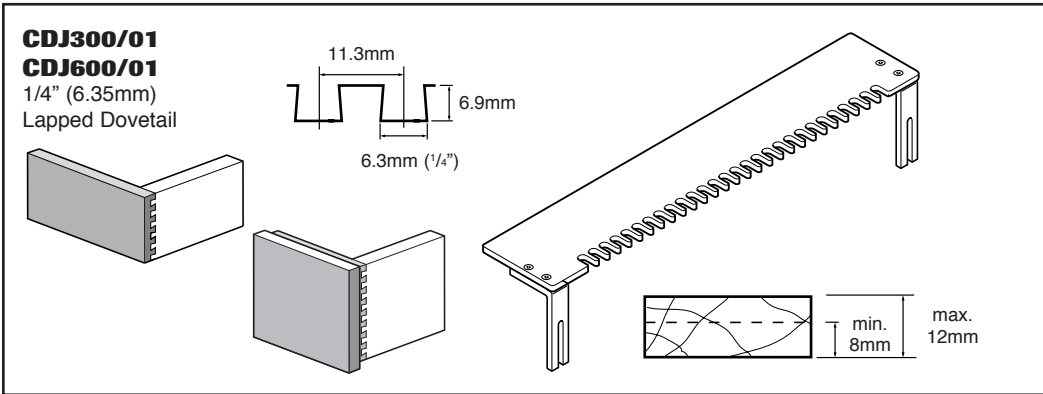
This is simply a piece of scrap timber with a hole large enough to take the protruding guide bush and cutter. This will allow the router to stand up safely between operations.



TEMPLATE SPECIFICATION



OPTIONAL ACCESSORIES (Please use only Trend original accessories)

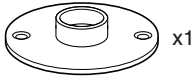


CDJ300

CDJ600

Cutters Required

15.8mmØ x 6mm*



10mmØ x 10mm



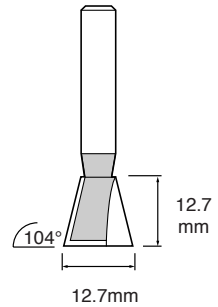
Silver

10mmØ x 10mm



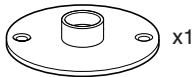
Silver

C041A



* This bush should also be used with the T3/T4 (and similar routers) and accessories: 1/2" comb, 32mm dowel and 1/2" through templates.

7.8mmØ x 4mm



15.8mmØ x 6mm



Green

20.1mmØ x 10.5mm



Green

28.7mmØ x 4mm



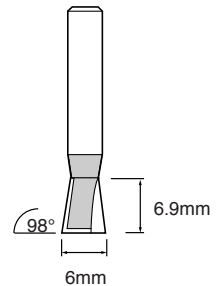
Green

10mmØ x 10mm

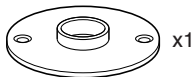


Silver
(from CDJ600 x2)

C154



15.8mmØ x 4mm



19.7mmØ x 6mm



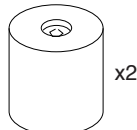
Red

11.3mmØ x 8.5mm



Red

17.3mmØ x 31mm



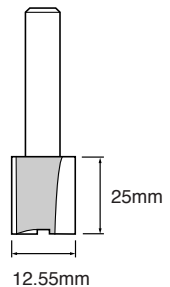
Red

11mmØ x 33mm

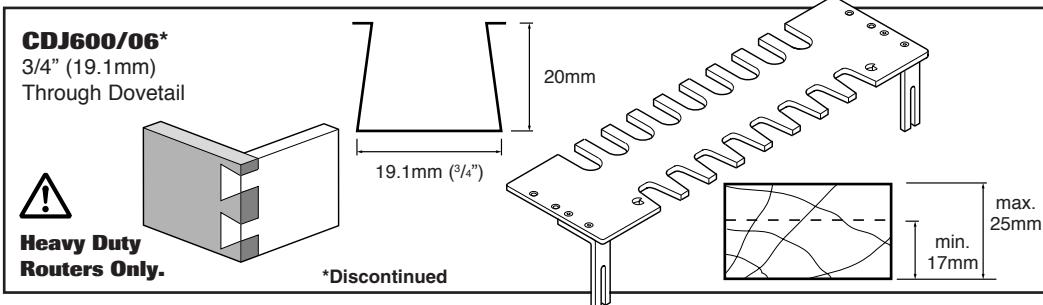
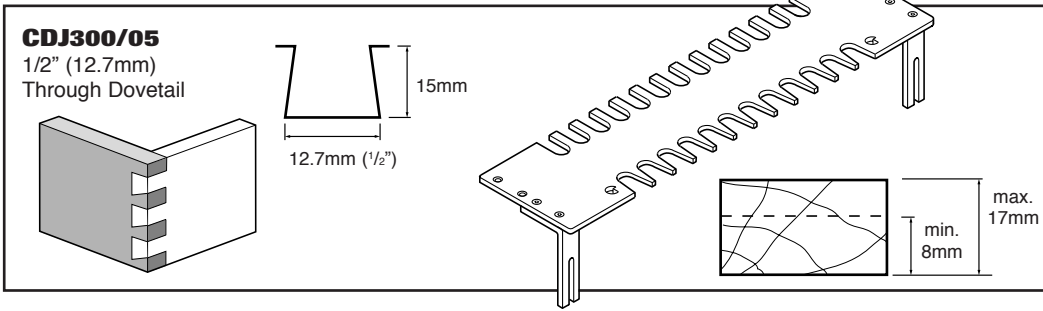
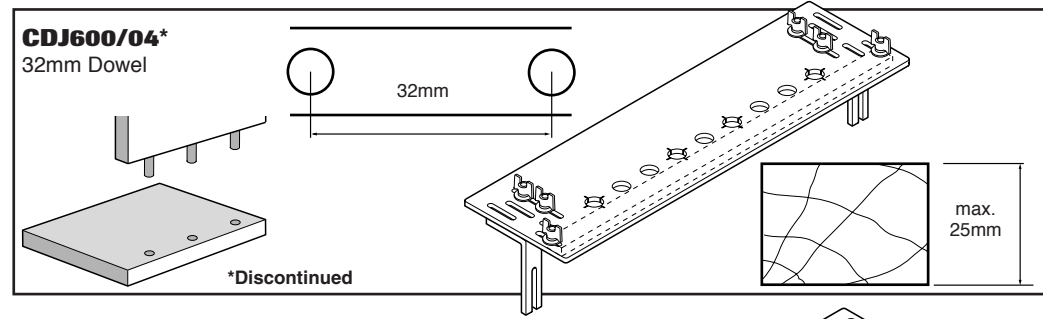
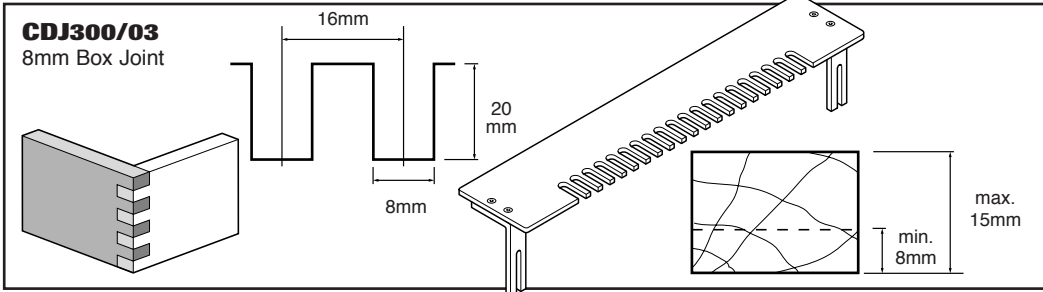


Red

C021A



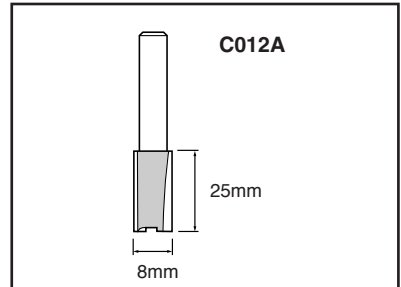
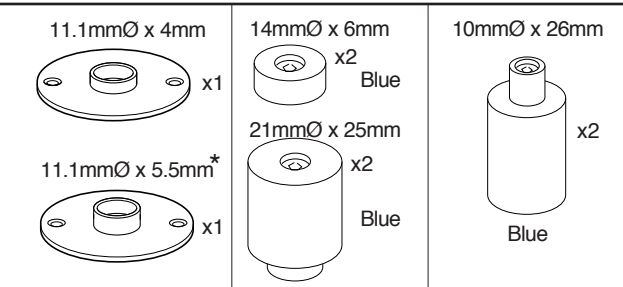
OPTIONAL ACCESSORIES CONTINUED (Please use only Trend original accessories)



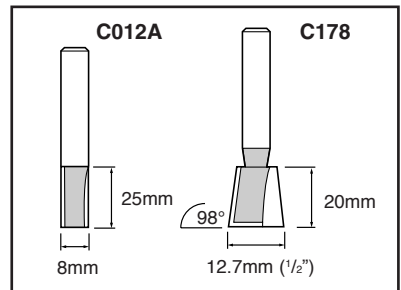
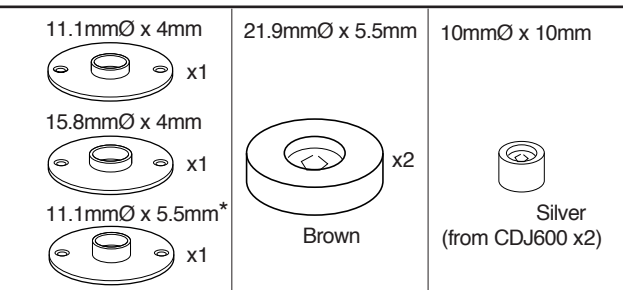
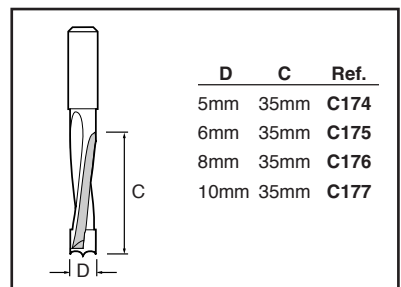
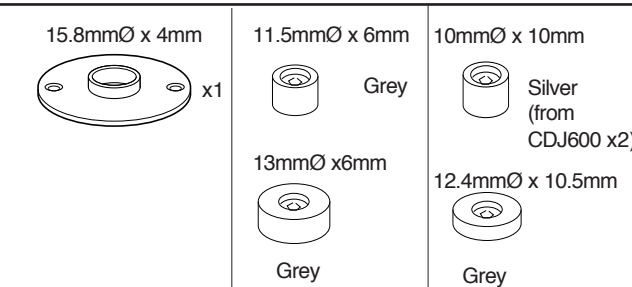
CDJ300

CDJ600

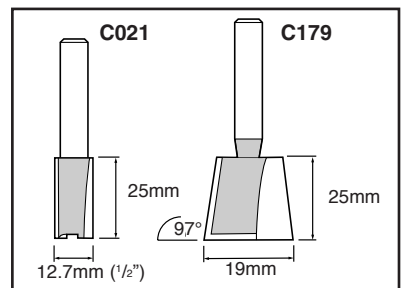
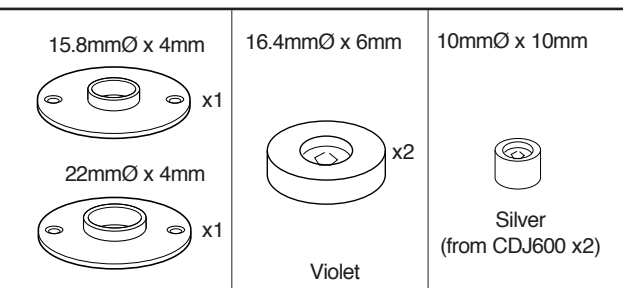
Cutters Required



* For use with the T3/T4 (and similar routers)



* For use with the T3/T4 (and similar routers)



**TIMBER
PREPARATION**

It is important to plan your work before starting to save set-up time and avoid costly mistakes. Both sides of the jig can be used to make joints. It is advisable however to clamp the workpiece to one side of the jig. This ensures it is clamped securely.

Lapped Dovetails

When lapped dovetailing label the pieces as front, back, and sides. Mark faces as inside and out.

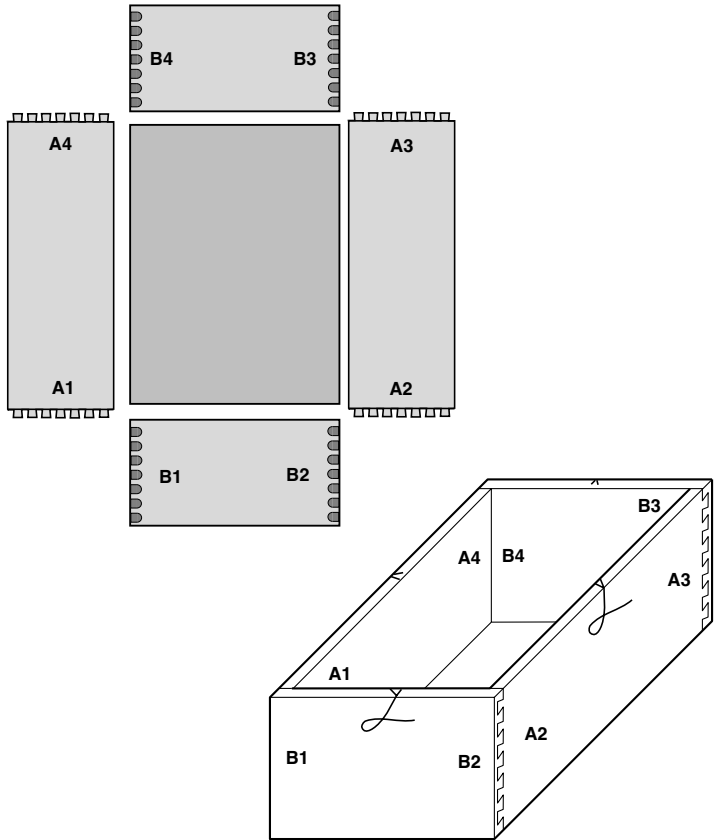
Label the dovetail pieces as shown, A parts will be clamped under front clamp bar, B pieces under top clamping bar. Even numbers against left-hand edge guide odd numbers under right hand edge guides.

Face sides must be towards jig body.

For drawers the front is thicker than the sides.

Before jointing the actual workpiece make trial cuts in pieces of waste timber, the same thickness as the workpieces in order to test depth of pin sockets.

Ensure all pieces are cut to size and checked for squareness.



1/2" (12.7mm) Lapped Dovetail Template									
(21.5 mm pitch with 3mm offset line)									
No. of whole tails									
1	2	3	4	5	6	7	8	9...	
21.5	43	64.5	86	107.5	129	150.5	172	193.5	
Optimum width of timber in mm									
ie Pitch x No. of tails = Width (when 3mm offset line used).									
1/4" (6.35mm) Lapped Dovetail Template									
(11.3 mm pitch with 2mm offset line)									
No. of whole tails									
1	2	3	4	5	6	7	8	9	
11.3	22.6	33.9	45.2	56.5	67.8	79.1	90.4	101.7	
Optimum width of timber in mm									
ie Pitch x No. of tails = Width (when 2mm offset line used).									

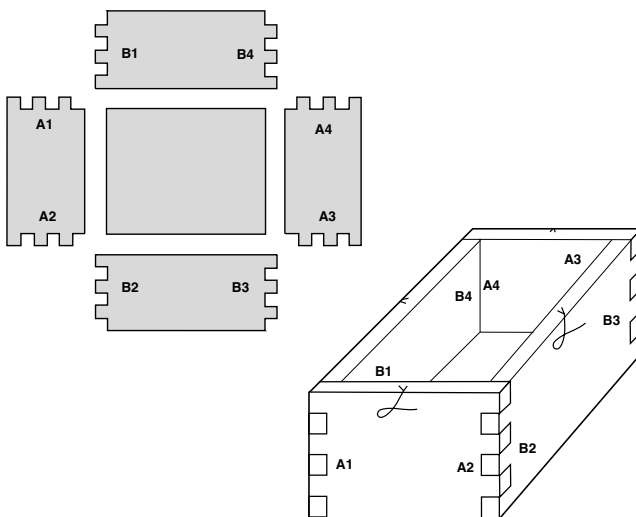
**Box Joint
(Optional Accessory)**

Cut all four pieces for the box to the exact dimensions of the final unit.

Make sure ends are perfectly square and exact widths.

The workpieces are clamped together for the cut. Ensure the workpiece face sides are towards the front of the jig.

Before joining the actual workpiece make a trial cut in waste scrap timber.

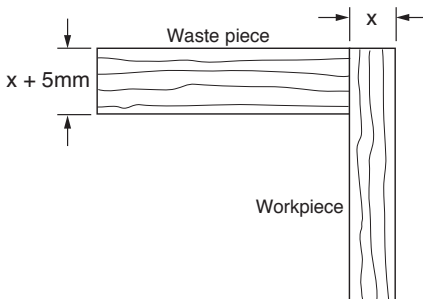


8mm Comb Template									
(16mm pitch with symmetrical sockets)									
No. of sockets									
1	2	3	4	5	6	7	8	9...	
24	40	56	72	88	104	120	136	152	
Optimum width of timber in mm									
ie Pitch x No. of sockets + 8mm = Width									
1/2" (12.7mm) Comb Template									
(25.4mm pitch with Symmetrical Sockets)									
No. of Sockets									
1	2	3	4	5	6	7	8	9...	
38.1	63.5	88.9	114.3	139.7	165.1	190.5	215.9	241.3	
Optimum width of timber in mm									
ie (Pitch x No. of Sockets) + 12.7mm = Width.									

Box Joint Waste Piece

For box joints, the waste piece must be 5mm thicker than the work piece. It should be long enough to be held securely by the clamp bars.

The width should be at least 5mm wider than work piece. The waste piece reduces likelihood of breakout.



The waste piece for box joints must be 5mm thicker than the workpiece to prevent the cutter touching the jig body.

**Through Dovetails
(Optional
Accessory)**

When through dovetailing label the pieces as front, back, and sides. Mark faces as inside and out.

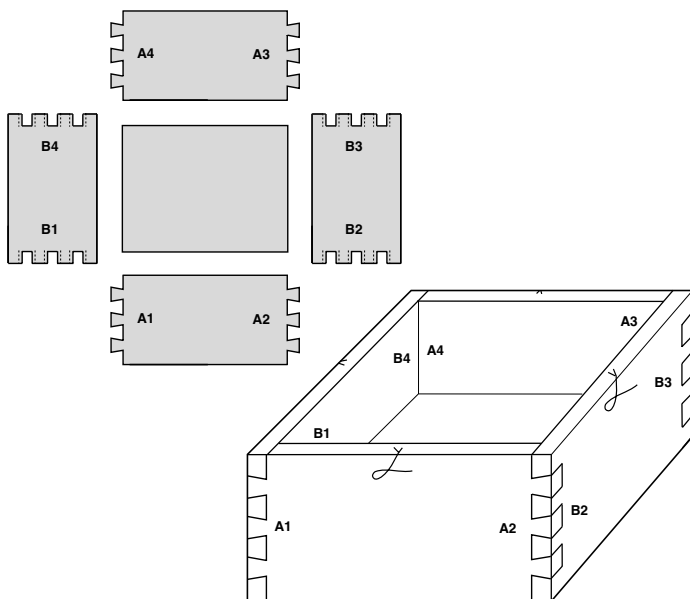
Label the dovetail pieces as shown. A parts will be clamped under front clamp bar and routed first with dovetail cutter. B pieces are clamped under front bar and routed with a straight cutter.

When routing pins - outside faces (face side) must be away from jig body (B1, B2, B3, B4).

When routing tails - outside faces (face side) must be towards the jig body (A1, A2, A3, A4).

Before joining the actual workpiece make a trial cut in waste scrap timber.

Ensure all pieces are cut to size and checked for squareness.



1/2" (12.7mm) Through Dovetail Template

(25.4mm pitch with 15.8mm offset line)

No. of whole tails

1	2	3	4	5	6	7	8	9...
31.6	57	82.4	107.8	133.2	158.6	184	209.4	234.8

Optimum width of timber in mm

ie Pitch x No. of Tails = Width (when 15.8mm offset line used)

3/4" (19mm) Through Dovetail Template

(38mm pitch with 25.3mm offset line used)

No. of whole tails

1	2	3	4	5	6	7...
50.6	88.6	124.6	164.6	202.6	240.6	278.6

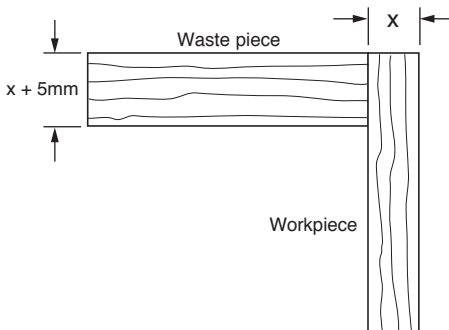
Optimum width of timber in mm

ie (Pitch x No. of Tails) = Width (when 25.3mm offset line used)

**Through Dovetail
Waste Piece**

For comb and through dovetail joints, the waste piece of workpiece must be 5mm thicker than the work piece. It should be long enough to be held securely by the clamp bars.

The width should be at least 5mm wider than work piece. The waste piece reduces likelihood of breakout.



The waste piece for through dovetail joints must be 5mm thicker than the workpiece to prevent the cutter touching the jig body.

OPERATION

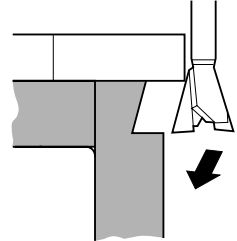
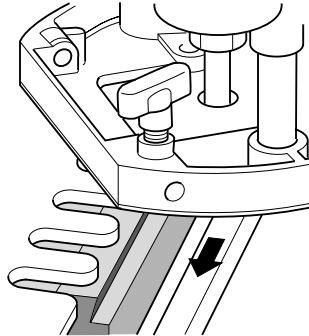


Routing the Workpiece

For Lapped Dovetail Joints

Make one very light cut from right to left, cutting only the front edge. This will prevent breakout.

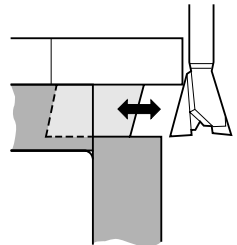
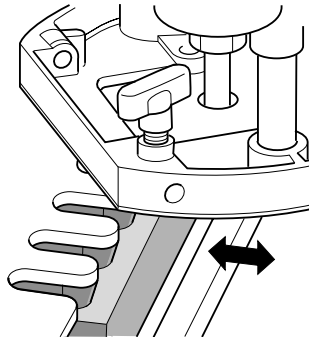
Carefully rout from left to right following the guide bush in each of the template comb slots (see illustrations on right).



For Box Joints

Carefully rout from left to right following the guide bush in the each of the slots. Ensure the guide bush is kept against the left hand side of the template comb fingers on all cuts.

Cut full depth in one pass where possible. If timber is hard, achieve depth in a number of passes.



For Dowel Joints

For dowel hole in face of workpiece, the depth of cut will be half thickness of workpiece.

For dowel hole in end of workpiece, depth will need to allow for remainder of dowel length.



For Through Dovetails

Carefully rout from left to right following the guide bush in the each of the template slots.

Cut full depth when using the dovetail cutter. If timber is hard take fine cuts.



Preventing Tear Out

This occurs when cutting across the grain and can be overcome by scribing the ends of the timber with a marking knife or gauge at the height of the cutter.

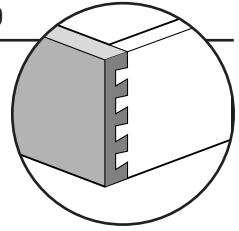


Setting the Depth of Cut in the Future

To ease setting up of the cutter height in the future, rout another joint and keep this piece to set the cutter depth in future.



Do not lift the router from the template with the guide bush engaged in the slots as damage to the template will occur.



**STANDARD 1/2" (12.7MM)
LAPPED DOVETAILS**

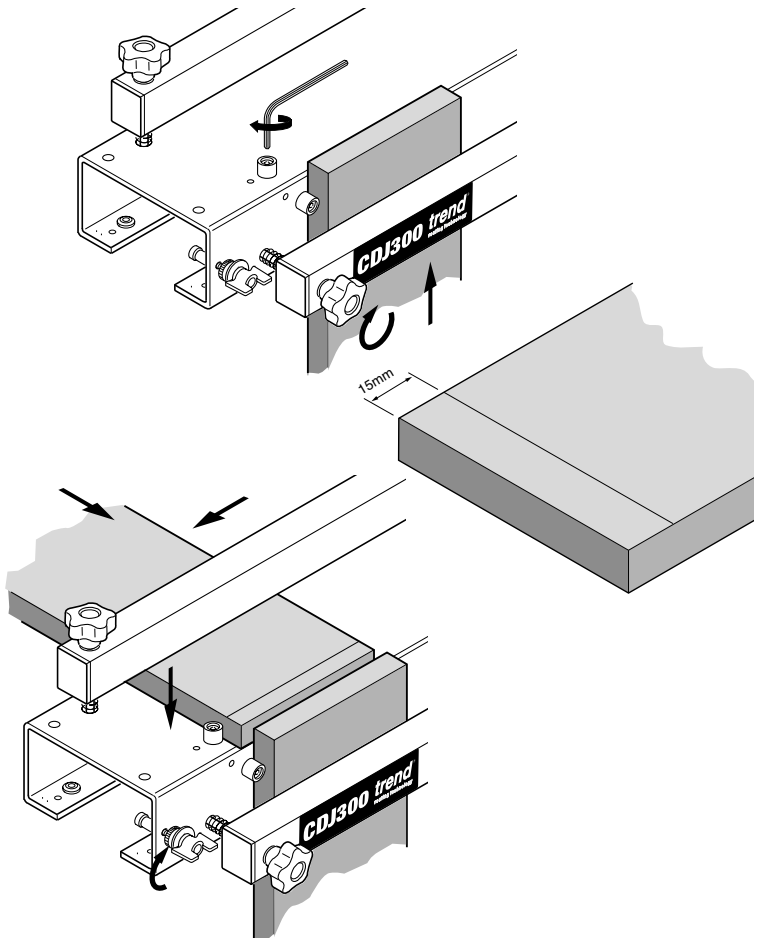
Both parts of joint are routed at same time.

(Drawing shown CDJ300 only.)

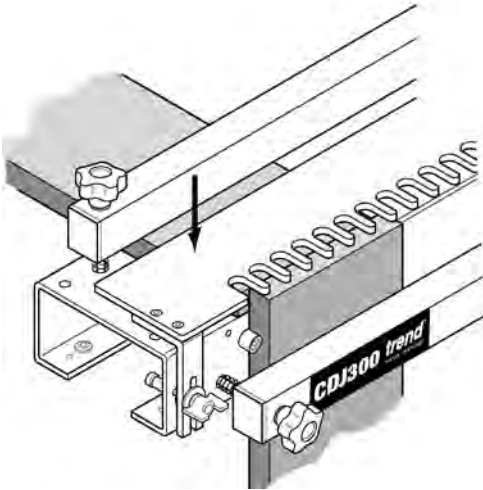
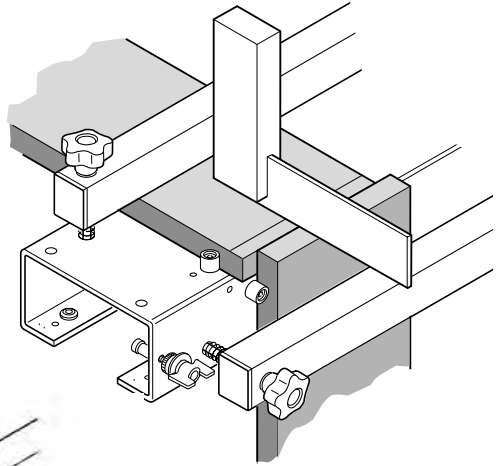
Set Up

- ① Fit edge guides into holes according to table.
- ② Draw a 15mm setting template line onto the workpiece.
- ③ Place one piece of workpiece into front clamp and push tight against edge guide.
- ④ Tighten clamp bar knobs to hold workpiece.
- ⑤ Place other piece of workpiece under top clamp and butt against workpiece already fitted and against edge guide.
- ⑥ Tighten top clamp knobs.

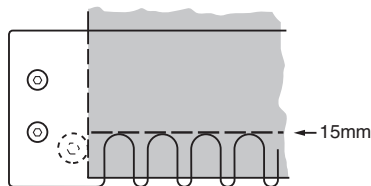
Dimensions shown in mm.	Size		Colour	Hole	Dia.	Dia.	Setting Line	Depth
	100x10	100x10	Silver	U1	15.8	12.7	15	17
CDJ300/CDJ600	1/2" Standard							



- ⑦ Ensure top of front workpiece is flush with the back workpiece using a square.
- ⑧ Fit brackets to template comb with countersunk holes uppermost and with slots to front.
- ⑨ Fit template comb assembly onto jig.



- ⑩ Adjust comb position to line up back of template slots to the 15mm line.
- ⑪ Fit guide bush to router according to table.
- ⑫ Fit dovetail cutter into router according to table.
- ⑬ Adjust the height of the cutter according to table.



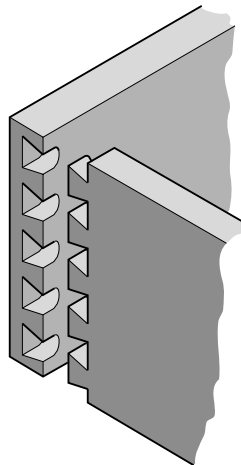
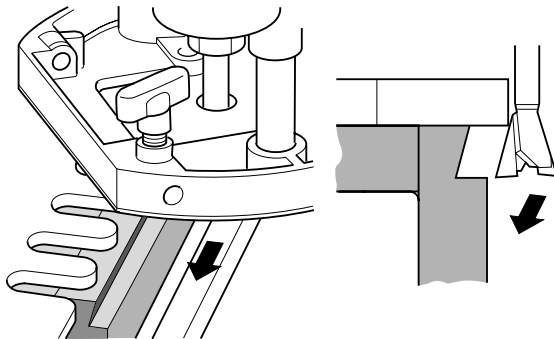
Ensure that the cutter does not foul the comb brackets before and after cutting the joints.

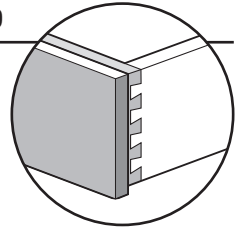
**Routing the Joint
(Tail and Pin
Socket)**



- 14 Place the router onto the template comb ensuring the cutter does not touch the workpiece
- 15 Switch on.
- 16 Make one very light cut from right to left, cutting only the front edge.
- 17 Carefully rout from left to right following the guide bush in the each of the slots.
- 18 Switch off router and remove from jig.
- 19 Examine each of the slots to ensure all the workpiece has been cleanly routed.
- 20 Remove template comb assembly.
- 21 Remove workpiece from jig.
- 22 Test fit joint.

Joint too loose =	increase depth adjustment of cutter.
Joint too tight =	decrease depth adjustment of cutter.
Dovetail joint too shallow =	move template comb towards the jig body.
Dovetail joint too deep =	move template comb away from the jig body.





1/2" (12.7MM) REBATED LAPPED DOVETAIL USING STANDARD TEMPLATE

Each part of joint is routed separately. (Drawings show CDJ300 only.)

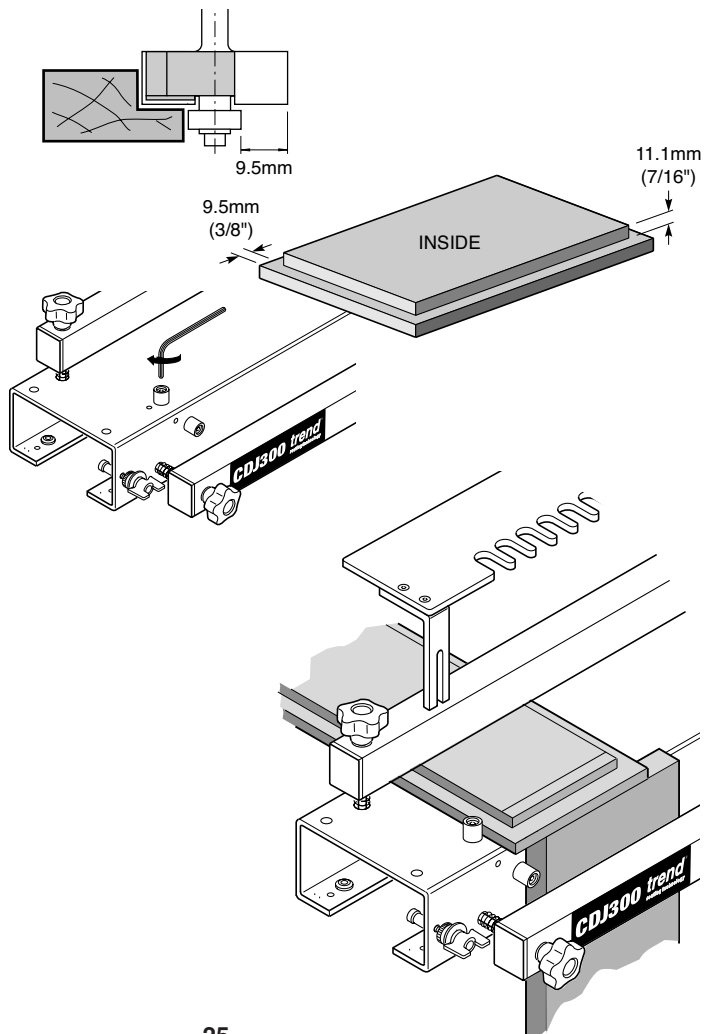
Set Up

- ① Fit edge guides into holes according to table.
- ② Fit brackets to template comb with countersunk holes uppermost and with slots to front.

Dimensions shown in mm.	Size	Colour	Hole	Dia.	Dia.	Setting Line	Depth
CDJ300/CDJ600	100x10	Silver	U2	15.8	12.7	15	17
1/2" Rebated	100x10	Silver	F1				

For Drawer Front

- ③ Rout a 9.5mm wide by 11.1mm deep rebate onto the edges of the workpiece.
- ④ Draw a setting template line 15mm back from the 9.5mm rebate shoulder.
- ⑤ Place a packing piece of 9.5mm thick timber into front clamp and push tight against edge guide.
- ⑥ Tighten front clamp bar knobs to hold workpiece.
- ⑦ Place drawer front under top clamp and butt against packing piece already fitted, and edge guides.
- ⑧ Tighten top clamp knobs.
- ⑨ Remove packing piece from front clamp.
- ⑩ Fit template comb assembly onto jig.
- ⑪ Adjust comb position to line up back of template slots to the 15mm line.
- ⑫ Fit guide bush to router, according to table.
- ⑬ Fit dovetail cutter into router according to table.
- ⑭ Adjust the height of the cutter according to table.



Routing Pin Socket in the Drawer Front



- 15 Place router onto template comb.
- 16 Switch on.
- 17 Carefully rout from left to right following the guide bush in the each of the slots.
- 18 Switch off router and remove from jig.
- 19 Examine each of the slots to ensure all the workpiece has been cleanly routed.
- 20 Remove template comb assembly.
- 21 Remove workpiece from jig.

For Drawer Sides

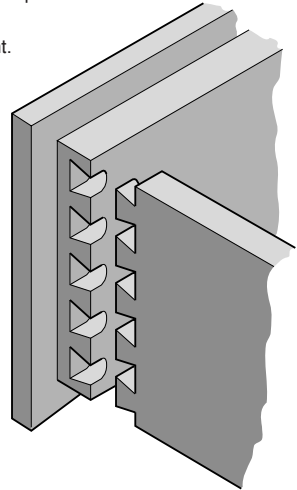


- 22 Place drawer side workpiece into front clamp and push tight against edge guide.
- 23 Tighten front clamp bar knobs to hold workpiece.
- 24 Place packing piece under top clamp and butt against workpiece already fitted. Packing piece must be 5mm thicker than the workpiece.
- 25 Ensure top of front workpiece is flush with back workpiece using a square.
- 26 Tighten top clamp knobs.
- 27 Fit template comb assembly onto jig.

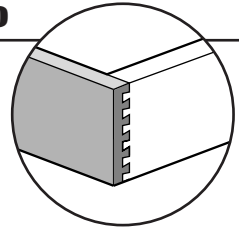
Routing Tails on Drawer Sides



- 28 Place router onto template comb.
- 29 Switch on.
- 30 Make one very light cut from the right to the left, cutting only the front edge.
- 31 Carefully rout from left to right following the guide bush in the each of the slots.
- 32 Switch off router and remove from jig.
- 33 Examine each of the slots to ensure all the workpiece has been cleanly routed.
- 34 Remove template comb assembly.
- 35 Remove workpiece from jig.
- 36 Test fit joint.



Joint too loose =	increase depth adjustment of cutter.
Joint too tight =	decrease depth adjustment of cutter.
Dovetail joint too shallow =	move template comb towards the jig body.
Dovetail joint too deep =	move template comb away from the jig body.



OPTIONAL ACCESSORIES

1/4" (6.35MM) LAPPED DOVETAIL TEMPLATE

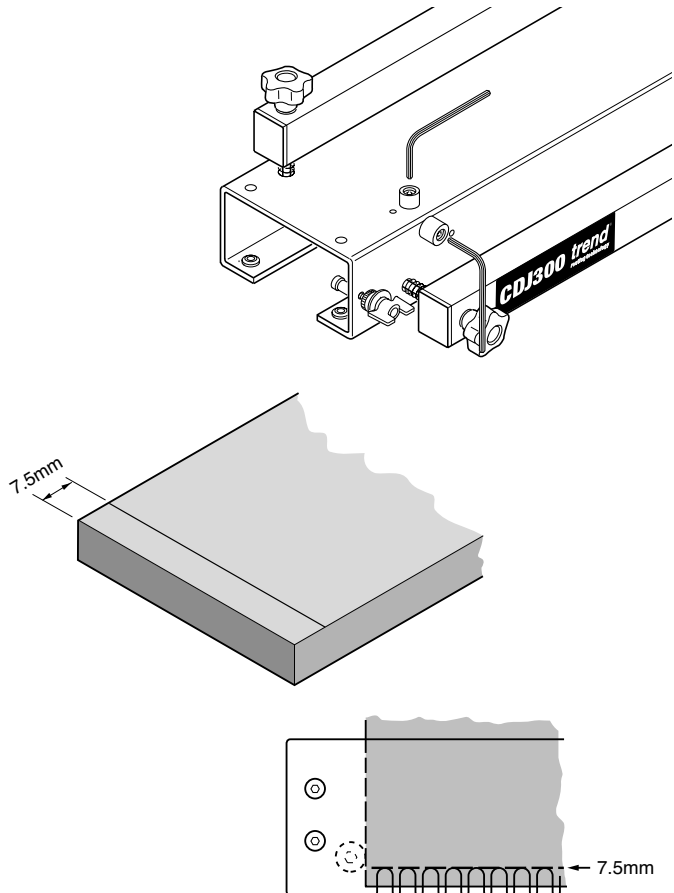
Both parts of joint are routed at same time. (Drawings show CDJ300 only.)

Set Up

- ① Fit edge guides into holes according to table.
- ② Draw a 7.5mm setting template line onto the piece of workpiece.
- ③ Place one piece of workpiece into front clamp and push tight against front edge guide.
- ④ Tighten clamp bar knobs to hold workpiece.
- ⑤ Place other piece of workpiece under top clamp and butt against workpiece already fitted.
- ⑥ Tighten top clamp knobs.
- ⑦ Ensure top of front workpiece is flush with back workpiece using a square.
- ⑧ Fit brackets to template comb with countersunk holes uppermost and with slots to front.
- ⑨ Fit template comb assembly onto jig.
- ⑩ Adjust comb position to line up back of template slots to the 7.5mm line.
- ⑪ Fit guide bush to router according to table.
- ⑫ Fit dovetail cutter into router according to table.
- ⑬ Adjust the height of the cutter according to table.

*From CDJ600 jig.

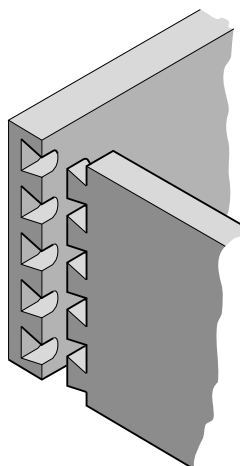
Dimensions shown in mm.	Size	Colour	Hole	Dia.	Dia.	Setting line	Depth
CDJ300/01 1/4" Lapped	15.80x6	Green	U1	7.8	6.0	7.5	11
	28.70x4	Green	F2				
CDJ600/01 1/4" Lapped	20.10x10.5	Green	U1	7.8	6.0	7.5	11
	100x10*	Green	F1				



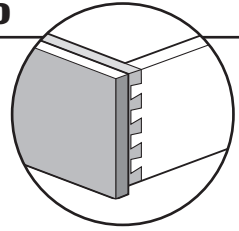
**Routing the Joint
(Tail and Pin
Socket)**



- ⑭ Place router onto template comb.
- ⑮ Switch on.
- ⑯ Make one very light cut from right to left, cutting only the front edge.
- ⑰ Carefully rout from left to right following the guide bush in the each of the slots.
- ⑱ Switch off router and remove from jig.
- ⑲ Examine each of the slots to ensure all the workpiece has been cleanly routed.
- ⑳ Remove template comb assembly.
- ㉑ Remove workpiece from jig.
- ㉒ Test fit joint.





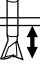


**The green
28.7mmØ edge
guide will need
to be removed
when routing the
sockets.**



1/4" (6.35MM) REBATED LAPPED DOVETAIL TEMPLATE

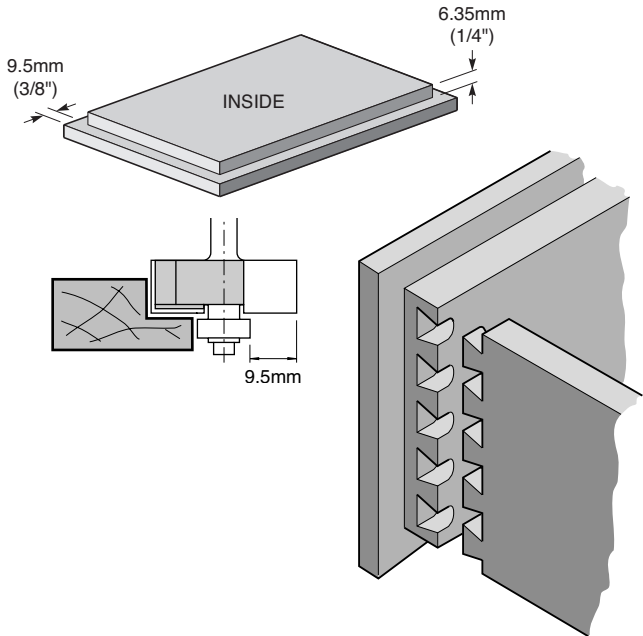
- ① Fit edge guide into hole according to table.
- ② For drawer front rout a 9.5mm wide by 6.35mm deep rebate.
- ③ Draw a setting template line 7.5mm back from 9.5mm rebate shoulder.

Dimensions shown in mm.							
	Size	Colour	Hole	Dia.	Dia.	Setting line	Depth
CDJ300/01 1/4" Rebated	15.8Øx6	Green	U2	7.8	6.0	7.5	11
	28.7Øx4	Green	F2				
CDJ600/01 1/4" Rebated	20.1Øx9.5	Green	U2	7.8	6.0	7.5	11
	10Øx10*	Green	F1				

Routing Tails on Drawer Sides 

- ④ Place router onto template comb.
- ⑤ Switch on.
- ⑥ Carefully rout from left to right following the guide bush in the each of the slots.
- ⑦ Switch off router and remove from jig.
- ⑧ Examine each of the slots to ensure all the material has been cleanly routed.
- ⑨ Remove template comb assembly.
- ⑩ Remove timber from jig.
- ⑪ Test fit joint.

* From CDJ600 jig.



For Drawer Fronts

See points ④ to ②① on pages 25 to 26.

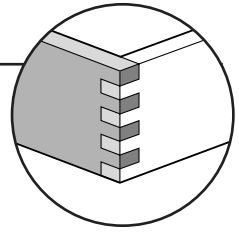
For Drawer Sides

See points ②② to ②⑦ on page 26.

For Routing Tails on Drawer Sides

See points ②⑧ to ③⑥ on page 25 to 26.

Joint too loose =	increase depth adjustment of cutter.
Joint too tight =	decrease depth adjustment of cutter.
Dovetail joint too shallow =	move template comb towards the jig body.
Dovetail joint too deep =	move template comb away from the jig body.

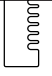






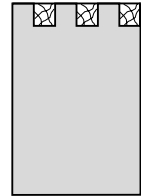
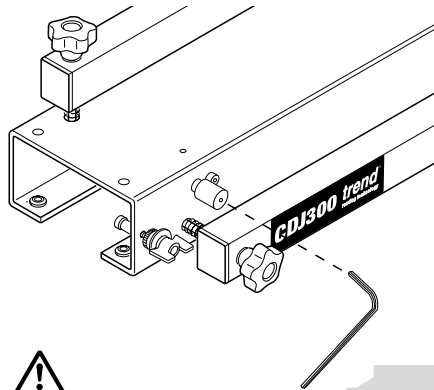
BOX COMB TEMPLATE

Both parts of joint are routed at same time.
(Drawings show CDJ300 only.)

Set Up

- ① Fit edge guides into holes, according to table.
- ② Place one piece of workpiece into front clamp and push tight against edge guide, place second piece of workpiece in front of first piece and push tight against edge guide.
- ③ Tighten front clamp bar knobs to hold workpiece.
- ④ Place waste piece of workpiece under top clamp and butt against workpiece already fitted. Waste piece must be 5mm thicker than workpiece.
- ⑤ Tighten top clamp knobs.
- ⑥ Ensure top of both front workpieces are flush with packing piece using a square.
- ⑦ Fit brackets to template comb with countersunk holes uppermost and with slots to front.
- ⑧ Turn adjustment stops until they are tight against the body.
- ⑨ Fit template comb assembly onto jig.
- ⑩ Fit guide bush to router according to table.

Dimensions shown in mm.	 Comb	 Size	 Colour Hole	 Dia.	 Dia.
CDJ300/02	1/2"	19.7Øx6 17.3Øx31	Red F1 Red F2	15.8	12.55
CDJ600/02	1/2"	11.3Øx8.5 10Øx33	Red F1 Red F2	15.8	12.55
CDJ300/03	8	14Øx6 21Øx25	Blue F1 Blue F2	11.1	8.0
CDJ600/03	8	10/26Ø	Blue F2	11.1	8.0

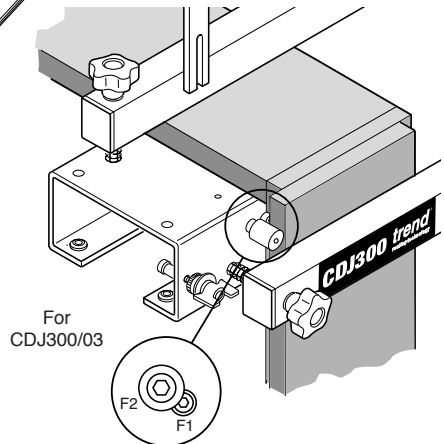


Non-symmetrical
Even number of pins/
sockets



Waste piece must be 5mm thicker than workpiece.

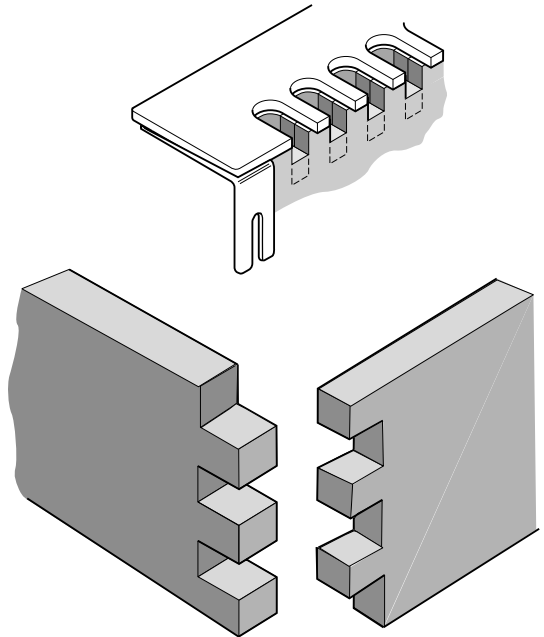
- ⑪ Fit straight cutter into router according to table.
- ⑫ Adjust the height of the cutter to suit workpiece thickness, this can be achieved by drawing the thickness of the pin board onto the tail board and vice versa.



Routing the Box Joint



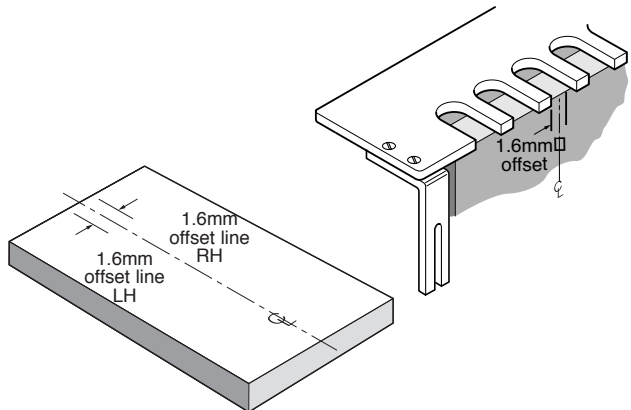
- 13 Place router onto template comb.
- 14 Switch on.
- 15 Carefully rout from left to right following the guide bush in each of the slots. Keep the guide bush against the left hand side of the comb finger, on all cuts.
- 16 Switch off router and remove from jig.
- 17 Examine each of the slots to ensure all the workpiece has been cleanly routed.
- 18 Remove template comb assembly.
- 19 Remove workpiece from jig.
- 20 Test fit joint.



For CDJ600

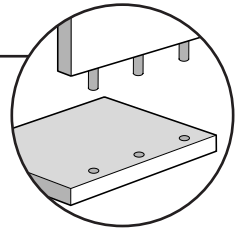
As above but set up sliding edge guide as follows:-

- 1 Fit same edge guides.
- 2 Draw a centre line on workpiece and draw a 1.6mm offset line to left and right of centre line.
- 3 Place one piece of workpiece into front clamp.
- 4 Fit template comb to jig.
- 5 For left hand side of jig align right hand 1.6mm line to left hand side of a template comb finger and vice versa for other end of jig.
- 6 Tighten front clamp knobs.
- 7 Slide edge guide against edge of timber.
- 8 Tighten edge guide locking knob.



Box comb joint too shallow = increase depth adjustment of cutter

Box comb joint too deep = decrease depth adjustment of cutter

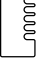





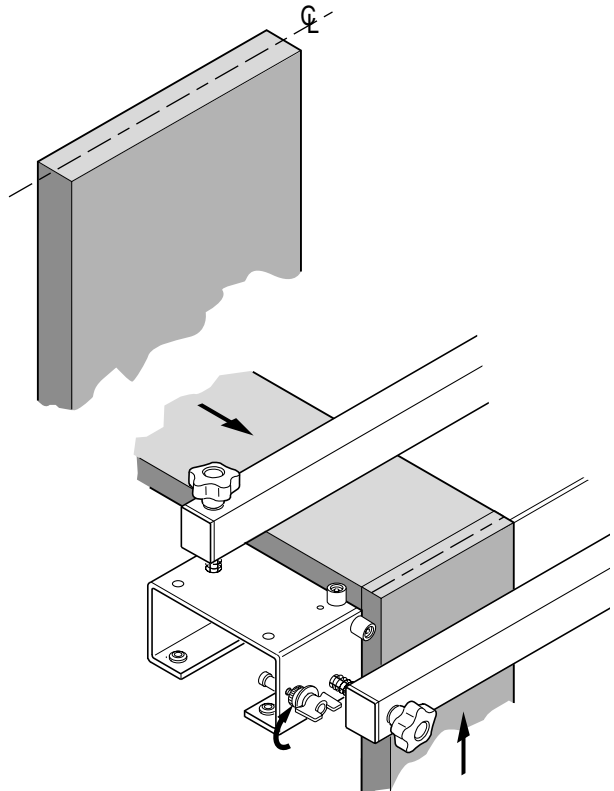
DOWEL JOINT TEMPLATE

Each part of joint is routed separately. (Drawings show CDJ300 only.)

Set Up

- ① Fit edge guides into holes according to table.
- ② Draw centre line on end of workpiece.
- ③ Place marked up workpiece into front clamp and push tight against front edge guide.
- ④ Repeat operation for right hand side.
- ⑤ Tighten clamp bar knobs to hold workpiece.
- ⑥ Place other piece of workpiece under top clamp and butt against workpiece already fitted.
- ⑦ Tighten top clamp knobs.
- ⑧ Ensure top of front workpiece is flush with back workpiece using a square.
- ⑨ Fit screws into brackets from underside and tighten with hex key.
- ⑩ Fit brackets to template comb with 32mm centre dowel holes towards front. Use inner slots for CDJ300/04 and outer slots for CDJ600/04. Fit washer and knobs to secure. Leave knobs loose.

Dimensions shown in mm.						
	Comb	Size	Colour	Hole	Dia.	Dia.
CDJ300/04	32mm	11.50x6 130x6	Grey Grey	U1 F2	15.8	3-10
CDJ600/04	32mm	100x10* 12.40x10.5	Silver Grey	U1 F2	15.8	3-10

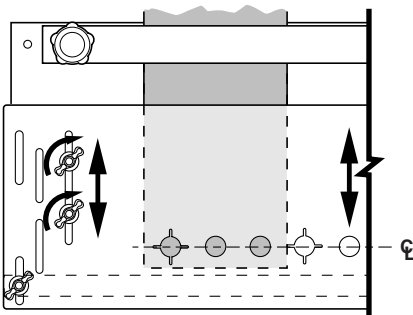
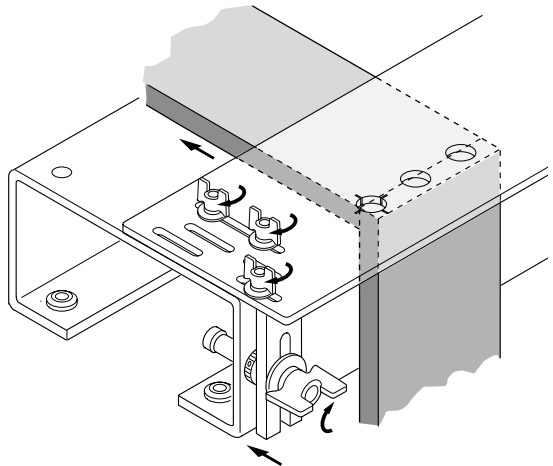
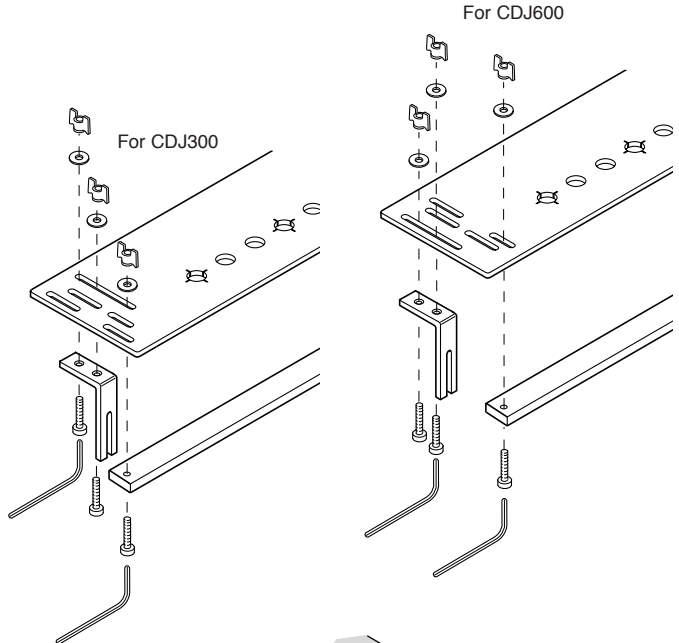


* From CDJ600 jig.

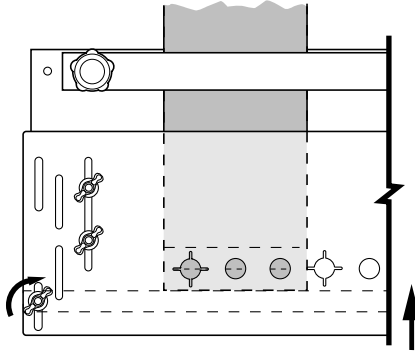
- ⑪ Fit two screws into fence bar and then fit assembly to two inner slots on template using two washers and knobs. Leave knobs loose.
- ⑫ Turn adjustment stops until they are tight against jig body.
- ⑬ Fit template comb assembly onto jig. Tighten comb adjustment knobs.
- ⑭ Adjust comb position so that sight marks on dowel holes line up with centre line on workpiece. Tighten the four bracket knobs.



To create symmetrical dowel joints, it may be necessary to move timber away from the edge guides. A packing piece must be used.

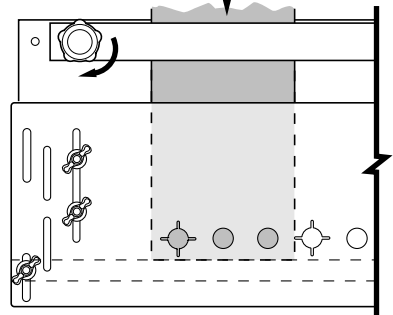
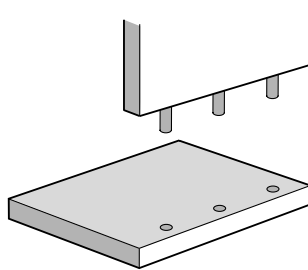


- 15 Adjust position of fence bar so that it touches the edge of the workpiece in the front clamp. Tighten fence bar knobs.
- 16 Fit guide bush to router.
- 17 Fit suitable diameter router dowel drill into router.
- 18 Set the plunge depth on the router.



Routing the Dowel Joint on End of Workpiece

- 19 Place router onto template comb.
- 20 Switch on.
- 21 Plunge down until depth stop limits plunge.
- 22 Repeat for number of dowel holes.
- 23 Switch off router and remove from jig.
- 24 Examine each of the holes to ensure all the workpiece has been cleanly bored.
- 25 Remove front workpiece from jig.



Routing the Dowel Joint on Face of Workpiece

- 26 Loosen top clamp and move workpiece towards fence bar.
- 27 Tighten top clamp.
- 28 Place router onto template comb.
- 29 Switch on.

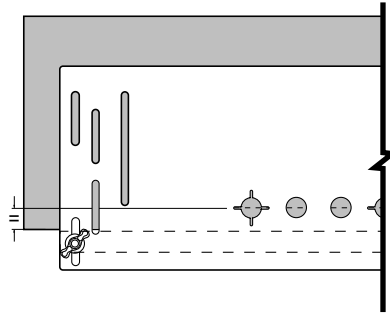


- 30 Plunge down until depth stop limits plunge.
- 31 Repeat for number of dowel holes.
- 32 Switch off router and remove from jig.
- 33 Examine each of the holes to ensure all the workpiece has been cleanly bored.
- 34 Test fit joint.

Dowel joint too shallow = increase plunge depth of cutter.
Dowel joint too deep = decrease plunge depth of cutter.

Set Up for Dowel Template when off Jig

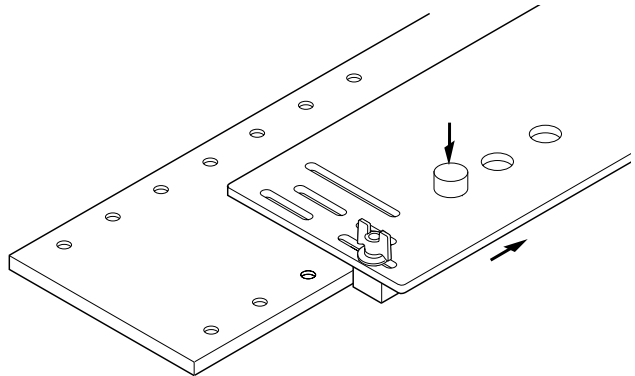
- ① Remove all the brackets.
- ② Leave fence bar knobs loose.
- ③ Mark up workpiece with position of dowel holes from edge. Ensure holes are parallel to edge.
- ④ Place template onto workpiece and align centre of dowel holes onto marked position on workpiece. Clamp template with clamps.
- ⑤ Adjust fence bar to edge of workpiece and tighten knobs.
- ⑥ Loosen clamps and reposition template to correct position for drilling.



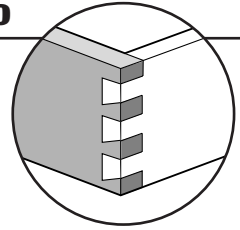
Routing of Dowel Holes off Jig



- ⑦ Place router onto template comb.
- ⑧ Switch on.
- ⑨ Plunge down until depth stop limits plunge.
- ⑩ Repeat for number of dowel holes.
- ⑪ Switch off router and remove from jig.
- ⑫ Examine each of the holes to ensure all the workpiece has been cleanly bored.



- ⑬ If a longer series of dowel holes are required (longer than template), place suitable size dowel pin into last hole and move whole template long, ensuring template is located over dowel pin.
- ⑭ Test fit holes to suit fixing.

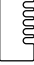







THROUGH DOVETAIL TEMPLATE

Each part of joint is routed separately. Offset is 15.8mm to centre of tail for 1/2" dovetail and 25.3mm for 3/4" dovetail (Drawings show CDJ300 only.)

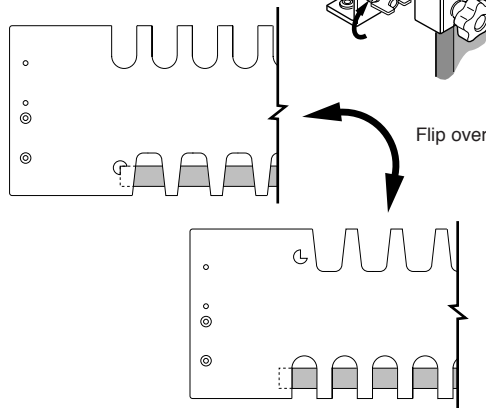
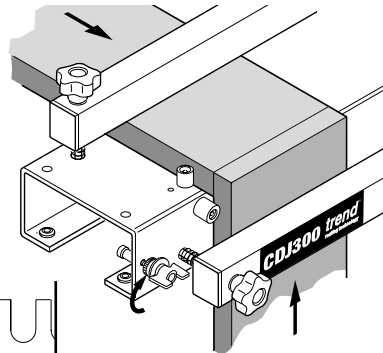
Set Up

- ① Fit edge guide into holes according to table.
- ② Place one piece of workpiece into front clamp bar and push tight against edge guide.
- ③ Tighten front clamp bar knobs to hold workpiece.
- ④ Place a waste piece under top clamp bar and butt against workpiece already fitted. Waste piece must be 5mm thicker than workpiece.
- ⑤ With a square ensure top of front piece of workpiece is flush with back piece of workpiece.
- ⑥ Tighten top clamp bar knobs.
- ⑦ Fit brackets to template comb with tapered slot towards front.
- ⑧ Fit template comb assembly.
- ⑨ Adjust stop to line up sight mark on template to back of workpiece.
- ⑩ Lock stop using hex key.
- ⑪ Repeat for other side. Ensure template is parallel to workpiece.
- ⑫ Loosen screws holding template comb to brackets, and remove comb. Leave brackets attached to jig.

Dimensions shown in mm.								
	Comb	Size	Colour	Hole	Dia.	Dia.	Dia.	Dia.
CDJ300/05	1/2"	21.90x5.6	Brown	F2	15.8	12.7	11.1	8
CDJ600/05	1/2"	100x10*	Silver	F2	15.8	12.7	11.1	8
CDJ600/06	3/4"	100x10*	Silver	F2	22	19	15.8	12.7



Waste piece must be 5mm thicker than workpiece.

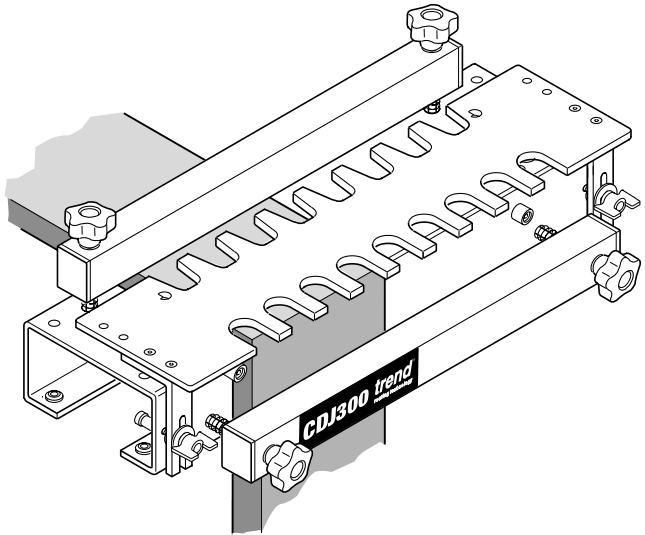


- ⑬ Flip over template comb with parallel slot towards front.
- ⑭ Refit template comb to brackets and tighten screws.

Routing the Tails



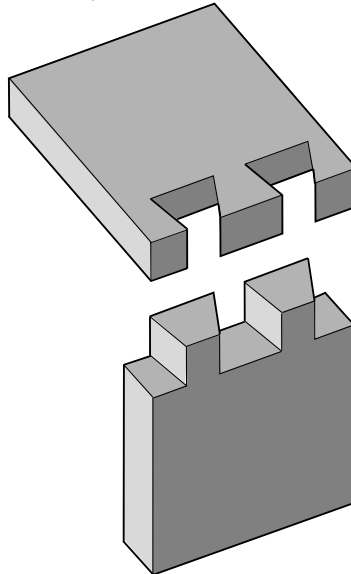
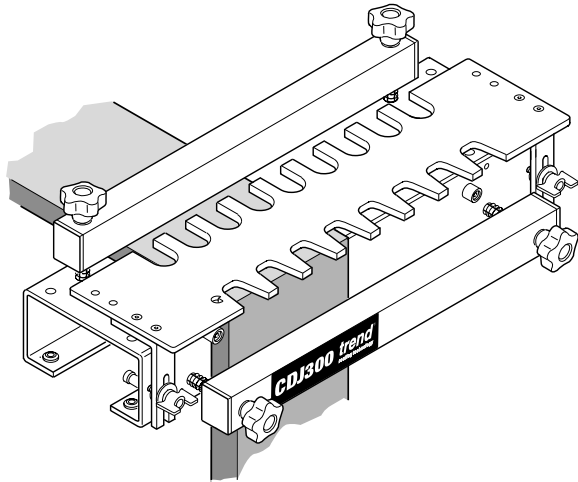
- ⑮ Fit guide bush to router according to the table.
- ⑯ Fit dovetail cutter to router according to the table.
- ⑰ Adjust the height of the cutter to equal workpiece thickness. This can be achieved by drawing the thickness of the pin board onto the tail board and vice versa.
- ⑱ Place router onto template comb.
- ⑲ Switch on.
- ⑳ Carefully rout from left to right following the guide bush in each of the slots. Take gentle back and forth cuts to rout out the pocket for the tail.
- ㉑ Switch off router and remove from jig.
- ㉒ Examine each of the slots to ensure all the workpiece has been cleanly routed.
- ㉓ Remove template comb assembly.
- ㉔ Remove workpiece from jig.



Routing the Pins 

- ②5 Loosen screws holding template comb to brackets, and remove comb. Leave brackets attached to jig.
- ②6 Flip over template comb 180° with tapered slot towards front.
- ②7 Refit template comb to brackets and tighten screws.
- ②8 Fit guide bush to router according to table.
- ②9 Fit straight cutter into router according to table.
- ③0 Adjust the height of the cutter to equal workpiece thickness.
- ③1 Place router onto template comb.
- ③2 Switch on.
- ③3 Carefully rout from left to right following the guide bush in each of the slots. Take light cuts to rout out the pocket for the tail.
- ③4 Switch off router and remove from jig.
- ③5 Examine each of the slots to ensure all the workpiece has been cleanly routed.
- ③6 Remove template comb assembly.
- ③7 Remove workpiece from jig.
- ③8 Test fit joint.
- ③9 After use, keep jig fitted to workboard and store carefully.

After use, store jig carefully.



Joint too loose = move template for pin away from jig body.
Joint too tight = move template for pins towards jig body.

MAINTENANCE

Please use only Trend original spare parts and accessories.

This jig has been designed to operate over a long period of time with a minimum of maintenance. Continual satisfactory operation depends upon proper tool care and regular cleaning.

Cleaning

- Regularly clean the jig and remove resin build-up on all threads.

Lubrication

- Your jig requires no additional lubrication.

Storage

- After use, store jig carefully in a cupboard.

ENVIRONMENTAL PROTECTION

Recycle raw materials instead of disposing as waste.

Packaging should be sorted for environmental-friendly recycling.

The product and its accessories at the end of their life should be sorted for environmental friendly recycling.

GUARANTEE

The jig carries a manufacturers guarantee in accordance with the conditions on the enclosed guarantee card.

Please use only Trend original spare parts.

CDJ300 & CDJ600 - SPARE PARTS LIST			v6.0 01/2018
No.	Qty.	Desc.	Ref.
1	1	Jig Body CDJ300	WP-CDJ300/01
	1	Jig Body CDJ600	WP-CDJ600/01
2	2	Clamping Bar with Grip CDJ300	WP-CDJ300/02
	2	Clamping Bar with Grip CDJ600	WP-CDJ600/02
3	4	Spring	WP-CDJ/03
4	4	Washer 8.5mm x 16.5mm x 1.5mm	WP-CDJ/04
5	4	Clamp Knob Male M8 x 80mm CDJ300	WP-CDJ/05
	2	Clamp Knob Male M8 x 80mm CDJ600	WP-CDJ/05
6	4	Edge Guide 10mmx10mm Dia CDJ300 Silver	WP-CDJ300/06
	4	Edge Guide 10mmx10mm Dia CDJ600 Silver	WP-CDJ600/06
7	4	Machine Screw Csk M4 x 16mm Skt	WP-SCW/84
8	1	Template Comb 1/2 Lapped CDJ300	WP-CDJ300/08
	1	Template Comb 1/2 Lapped CDJ600	WP-CDJ600/08
9	2	Template Comb Bracket	WP-CDJ300/09
10	4	Machine Screw Csk M4 x 6mm Skt	WP-SCW/77
11	1	Trend CDJ300 Label	WP-CDJ300/11
	1	Trend CDJ600 Label	WP-CDJ600/11
12	2	Machine Screw Csk M6 x 40mm Skt	WP-SCW/81
13	2	Knob Female M6	WP-CDJ/13
14	2	Washer 6.5mm x 24.5mm x 1.5mm <2004	WP-WASH/12
	2	Washer 8.5mm x 23.5mm x 2mm <2004	WP-WASH/17
15	2	Comb Adjustment Stop M6 >2004	WP-NUT/15
16	4	Set Screw M5 x 5mm	WP-CDJ/16
17	4	Rubber Foot	WP-CDJ/17
18	1	Hex Key 2.5mm A/F	WP-AP/25
19	1	Hex Key 4mm A/F	WP-AP/04
20	1	Guide Bush 15.8mm x 6mm	GB158
21	2	Machine Screw Csk M5 x 8mm Slot	WP-SCW/09
22	4	Self Tapping Screw Csk No.8 x 25mm Pozi	WP-SCW/100
23	1	Dovetail Cutter 12.7mm Dia x 104 Deg	C041A
24	1	Manual	MANU/CDJ
FOR CDJ600			
46	2	Knob Female M6 CDJ600	WP-CDJ/46
67	1	Sliding Stop Bar Left CDJ600	WP-CDJ600/67
68	1	Sliding Stop Bar Right CDJ600	WP-CDJ600/68
69	1	Label Scale Pack (Left & Right) CDJ600	WP-CDJ600/69
70	2	Sliding Stop U Bracket CDJ600	WP-CDJ600/70

CDJ300 & CDJ600 - SPARE PARTS LIST			v6.0 01/2018
No.	Qty.	Desc.	Ref.
71	2	Sliding Stop Spacer CDJ600	WP-CDJ600/71
72	2	Sliding Stop Clamp Spacer (Hole) CDJ600	WP-CDJ600/72
73	2	Sliding Stop Clamp Spacer (Tapped) CDJ600	WP-CDJ600/73
74	4	Machine Screw Csk M4 x 12 Skt CDJ600	WP-SCW/78
75	4	Machine Screw Csk M4 x 25mm Skt CDJ600	WP-SCW/79
76	8	Shim 6mm x 10mm x 0.2mm CDJ600	WP-CDJ600/76
77	2	Set Screw Hex M6 x 35mm CDJ600	WP-CDJ600/77
FOR CDJ600 <04/2010			
9	2	Template Comb Bracket CDJ600 <04/2010	WP-CDJ600/09
12	2	Machine Screw Csk M8 x 50mm CDJ600 <04/2010	WP-SCW/82
13	2	Knob Female M8 CDJ600 <2010	WP-CDJ600/13
14	2	Nylon Spacer for M6 CDJ600 >2000 <04/2010	WP-CDJ600/14
15	2	Comb Adjustment Stop M8 CDJ600 <04/2010	WP-NUT/09
19	1	Hex Key 5mm A/F CDJ600 <04/2010	WP-AP/03
1/4" LAPPED CDJ300/01 & CDJ600/01			
7	4	Machine Screw Csk M4 x 6mm Slot	WP-SCW/84
9	2	Template Comb Bracket CDJ300	WP-CDJ300/09
	2	Template Comb Bracket CDJ600	WP-CDJ600/09
10	4	Machine Screw Csk M4 x 6mm Skt	WP-SCW/77
19	1	Hex Key 2.5mm A/F	WP-AP/25
21	2	Machine Screw Csk M5 x 8mm Slot	WP-SCW/09
25	1	Template Comb 1/4 Lapped CDJ300	WP-CDJ300/25
	1	Template Comb 1/4 Lapped CDJ600	WP-CDJ600/25
26	2	Edge Guide 15.8mm Dia x 6mm CDJ300 Green	WP-CDJ300/26
	2	Edge Guide 20.1mm Dia x 10.5mm CDJ600 Green	WP-CDJ600/26
27	2	Edge Guide 28.7mm Dia x 4mm CDJ300 Green	WP-CDJ300/27
	0	Edge Guide 10mm Dia x 10mm CDJ600 Silver	WP-CDJ600/06
28	1	Guide Bush 7.8mm x 4mm	GB78
29	1	Dovetail Cutter 6.0mm Dia x 98 Deg	C154
1/2" BOX CDJ300/02 & CDJ600/02			
7	4	Machine Screw Csk M4 x 16mm Slot	WP-SCW/84
9	2	Template Comb Bracket CDJ300	WP-CDJ300/09
	2	Template Comb Bracket CDJ600	WP-CDJ600/09
10	4	Machine Screw Csk M4 x 6mm Skt	WP-SCW/77
19	1	Hex Key 2.5mm A/F	WP-AP/25
21	2	Machine Screw Csk M5 x 8mm Slot	WP-SCW/09
30	1	Template Comb 1/2 Box CDJ300	WP-CDJ300/30
	1	Template Comb 1/2 Box CDJ600	WP-CDJ600/30
31	2	Edge Guide 19.7mm Dia x 6mm CDJ300 Red	WP-CDJ300/31
	2	Edge Guide 11.3mm Dia x 8.5mm CDJ600 Red	WP-CDJ600/31
32	2	Edge Guide 17.3mm Dia x 31mm CDJ300 Red	WP-CDJ300/32
	2	Edge Guide 10mm x 33mm Dia CDJ600 Red	WP-CDJ600/32
33	2	Machine Screw Csk M4 x 40mm Skt	WP-SCW/80

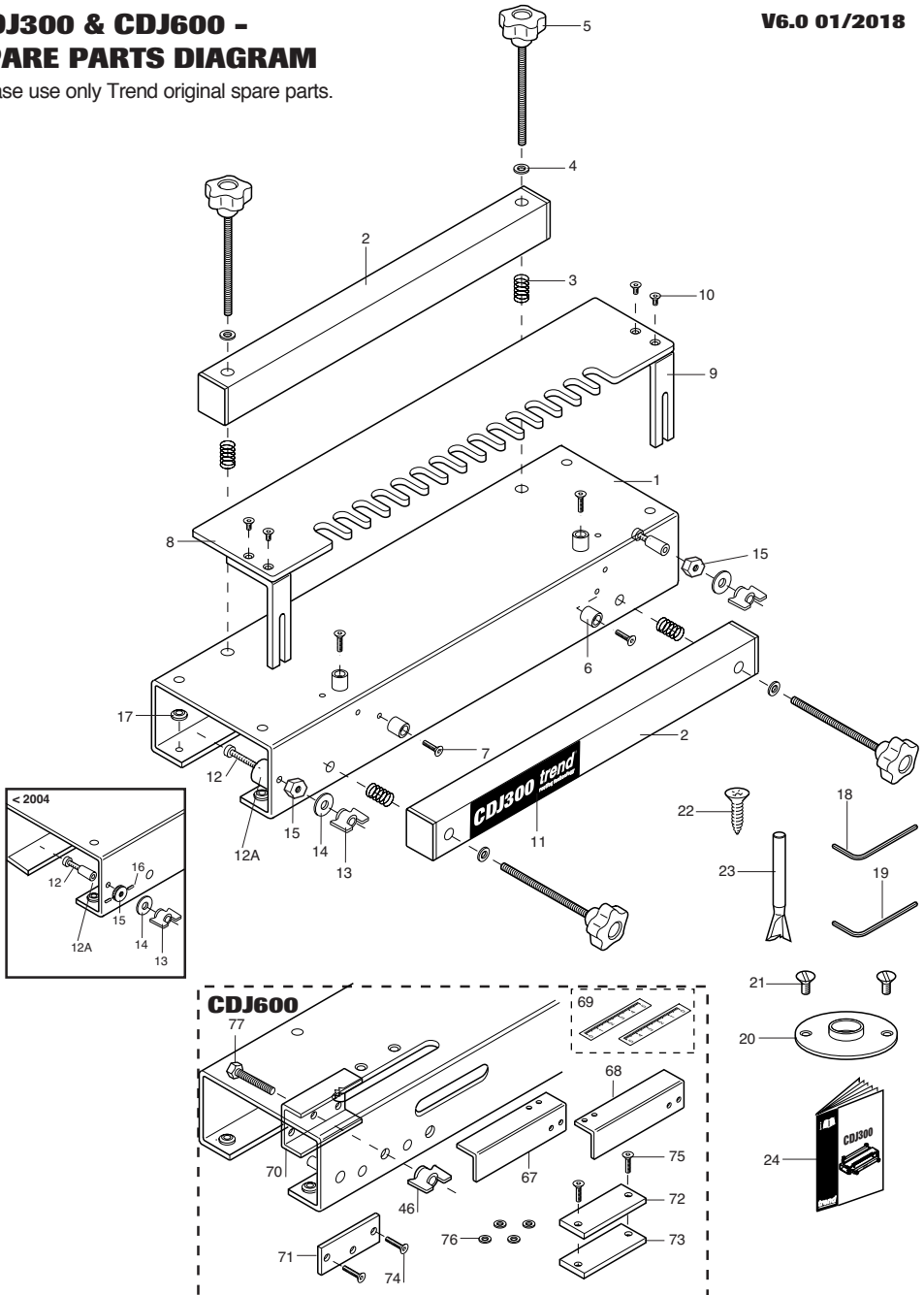
CDJ300 & CDJ600 - SPARE PARTS LIST			v6.0 01/2018
No.	Qty.	Desc.	Ref.
34	1	Guide Bush 15.8mm x 4mm >2010	GB158/B
35	1	Straight Cutter 12.55mm Dia x 25mm Cut	C021A
8MM BOX CDJ300/03 & CDJ600/03			
7	4	Machine Screw Csk M4 x 16mm Slot	WP-SCW/84
9	2	Template Comb Bracket CDJ300	WP-CDJ300/09
	1	Template Comb Bracket CDJ600	WP-CDJ600/09
10	4	Machine Screw Csk M4 x 6mm Skt	WP-SCW/77
19	1	Hex Key 2.5mm A/F	WP-AP/25
21	2	Machine Screw Csk M5 x 8mm Slot	WP-SCW/09
33	2	Machine Screw Csk M4 x 40mm Skt	WP-SCW/80
36	1	Template Comb 8mm Box CDJ300	WP-CDJ300/36
	1	Template Comb 8mm Box CDJ600	WP-CDJ600/36
37	2	Edge Guide 14mm Dia x 6mm CDJ300 Blue	WP-CDJ300/37
	2	Edge Guide Stepped 10/26mm Dia CDJ600 Blue	WP-CDJ600/37
37A	2	Edge Guide 21mm Dia x 25mm CDJ300 Blue	WP-CDJ300/37A
38	1	Straight Cutter 8mm Dia x 25mm Cut	C012A
59	1	Guide Bush 11.1mm x 3mm <2010	GB111/B
	1	Guide Bush 11.1mm x 4mm >2010	GB111/C
59A	1	Guide Bush 11.1mm x 5.5mm T3	GB111/B
32MM DOWEL CDJ300/04 & CDJ600/04			
9	2	Template Comb Bracket CDJ300	WP-CDJ300/09
	2	Template Comb Bracket CDJ600	WP-CDJ600/09
21	2	Machine Screw Csk M5 x 8mm Slot	WP-SCW/09
34	1	Guide Bush 15.8mm x 4mm >2010	GB158/B
39	1	Template Dowel 32mm CDJ300	WP-CDJ300/39
	1	Template Dowel 32mm CDJ600	WP-CDJ600/39
40	1	Fence Bar Dowel Template CDJ300	WP-CDJ300/40
41	2	Edge Guide 11.5mm Dia x 6mm CDJ300 Grey	WP-CDJ300/41
	0	Edge Guide 10mm Dia x 10mm CDJ600 Silver	WP-CDJ600/06
42	2	Edge Guide 13mm Dia x 6mm CDJ300 Grey	WP-CDJ300/42
	2	Edge Guide 12.4mm Dia x 10.5mm CDJ600 Grey	WP-CDJ600/42
43	4	Machine Screw Cap M4 x 20mm Skt	WP-SCW/78
44	4	Knob Female M4	WP-CDJ/44
45	4	Washer 4.3mm x 9mm x 0.8mm	WP-WASH/04
46	2	Knob Female M6	WP-CDJ/46
47	2	Machine Screw Cap M6 x 25mm Skt	WP-SCW/79
48	2	Washer 6.4mm x 12mm x 1.5mm	WP-WASH/12
49	1	Dowel Pin Hole Stop 3mm Dia Pin	WP-CDJ/49
50	1	Dowel Pin Hole Stop 5mm Dia Pin	WP-CDJ/50
51	1	Dowel Pin Hole Stop 6mm Dia Pin	WP-CDJ/51
52	1	Dowel Pin Hole Stop 8mm Dia Pin	WP-CDJ/52
53	1	Dowel Pin Hole Stop 10mm Dia Pin	WP-CDJ/53
54	1	Hex Key 3mm A/F	WP-AP/03

CDJ300 & CDJ600 - SPARE PARTS LIST			v6.0 01/2018
No.	Qty.	Desc.	Ref.
55	1	Hex Key 5mm A/F	WP-AP/05
56	1	Router Dowel Drill 3mm Dia x 14mm Cut	C180
	1	Router Dowel Drill 5mm Dia x 35mm Cut	C174
	1	Router Dowel Drill 6mm Dia x 35mm Cut	C175
	1	Router Dowel Drill 8mm Dia x 35mm Cut	C176
	1	Router Dowel Drill 10mm Dia x 35mm Cut	C177
1/2" THROUGH CDJ300/05 & CDJ600/05			
7	4	Machine Screw Csk M4 x 16mm Slot (CDJ300)	WP-SCW/84
9	2	Template Comb Bracket CDJ300	WP-CDJ300/09
	2	Template Comb Bracket CDJ600	WP-CDJ600/09
10	4	Machine Screw Csk M4 x 6mm Socket	WP-SCW/77
19	1	Hex Key 2.5mm A/F	WP-AP/25
21	2	Machine Screw Csk M5 x 8mm Slot	WP-SCW/09
34	1	Guide Bush 15.8mm x 4mm	GB158/B
57	1	Template Comb 1/2 Through CDJ600	WP-CDJ600/57
58	2	Edge Guide 21.9mm Dia x 5.6mm CDJ300 Brown	WP-CDJ300/58
	0	Edge Guide 10mm Dia x 10mm CDJ600 Silver	WP-CDJ600/06
59	1	Guide Bush 11.1mm x 3mm <2010	GB111/B
	1	Guide Bush 11.1mm x 4mm >2010	GB111/C
59A	1	Guide Bush 11.1mm x 5.6mm T3	GB111/B
60	1	Straight Cutter 8mm Dia x 25mm	C012A
61	1	Dovetail Cutter 12.7mm Dia x 98 Deg	C178
3/4" THROUGH CDJ300/06 & CDJ600/06			
7	4	Machine Screw Csk M4 x 16mm Skt (CDJ300)	WP-SCW/84
9	2	Template Comb Bracket CDJ300	WP-CDJ300/09
	2	Template Comb Bracket CDJ600	WP-CDJ600/09
10	4	Machine Screw Csk M4 x 6mm Socket	WP-SCW/77
19	1	Hex Key 2.5mm A/F	WP-AP/25
21	2	Machine Screw Csk M5 x 8mm Slot	WP-SCW/09
34	1	Guide Bush 15.8mm x 4mm >2010	GB158/B
62	1	Template Comb 3/4 Through CDJ300	WP-CDJ300/62
	1	Template Comb 3/4 Through CDJ600	WP-CDJ600/62
63	2	Edge Guide 16.4mm Dia x 6mm CDJ300 Violet	WP-CDJ300/63
	0	Edge Guide 10mm Dia x 10mm CDJ600 Silver	WP-CDJ600/06
64	1	Guide Bush 22mm x 4mm	GB22/A
65	1	Straight Cutter 12.7mm Dia x 25mm	C021
66	1	Dovetail Cutter 19mm Dia x 97 Deg	C179

**CDJ300 & CDJ600 -
SPARE PARTS DIAGRAM**

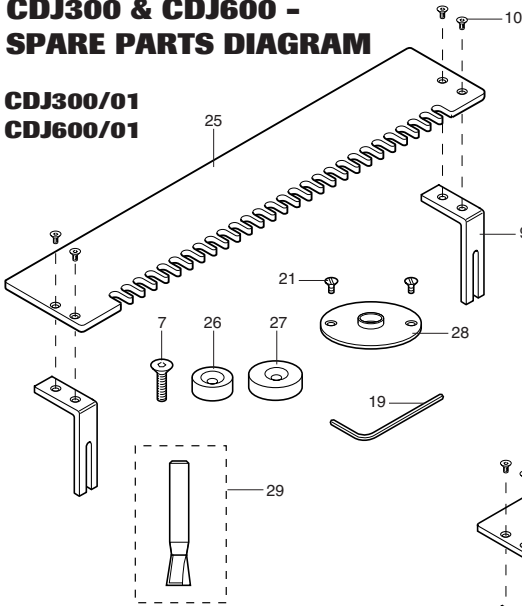
Please use only Trend original spare parts.

V6.0 01/2018

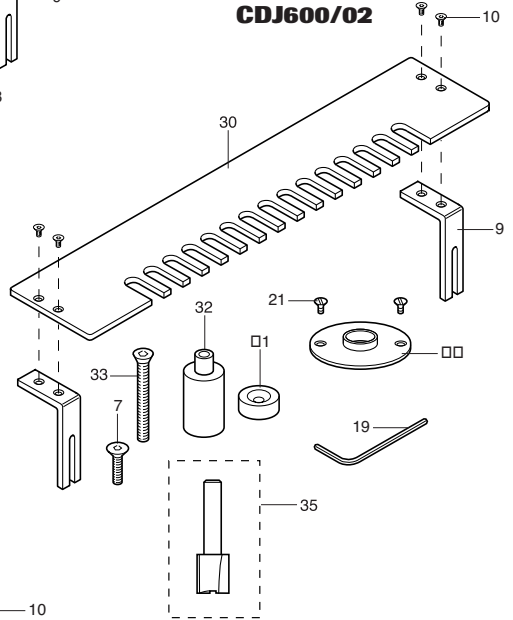


**CDJ300 & CDJ600 -
SPARE PARTS DIAGRAM**

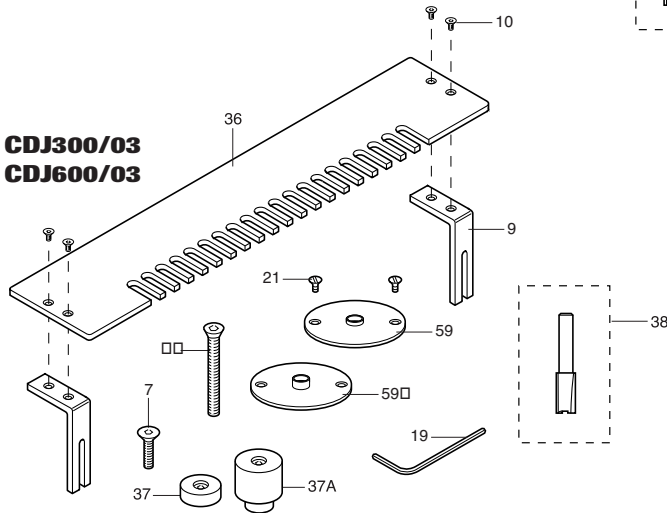
**CDJ300/01
CDJ600/01**



**CDJ300/02
CDJ600/02**



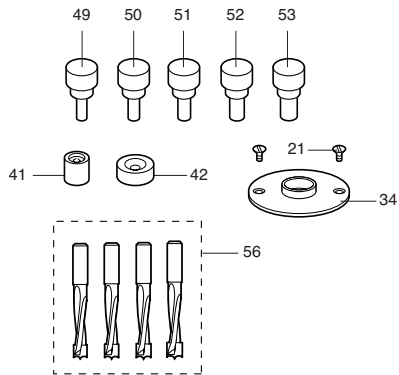
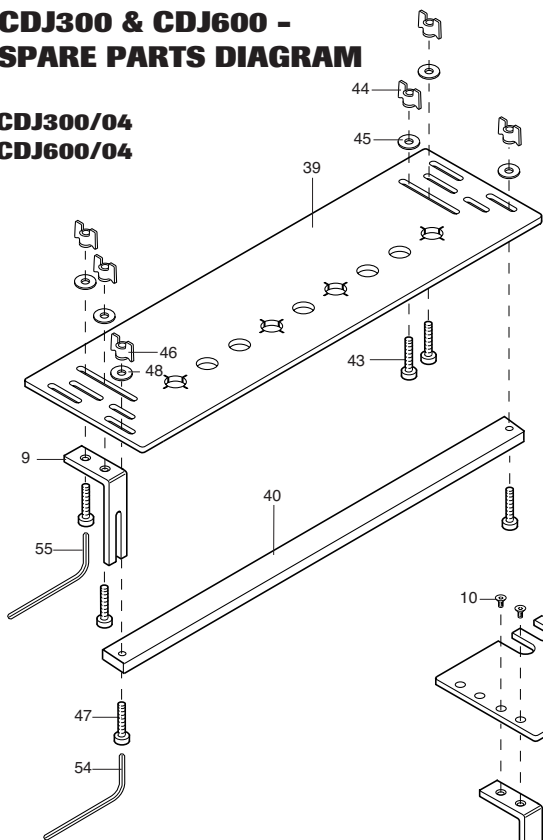
**CDJ300/03
CDJ600/03**



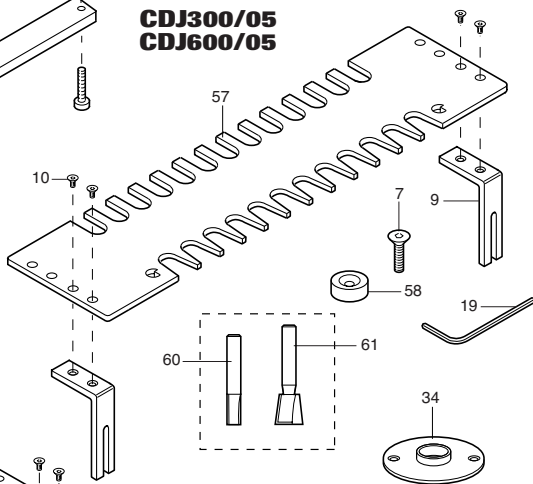
**CDJ300 & CDJ600 -
SPARE PARTS DIAGRAM**

V6.0 01/2018

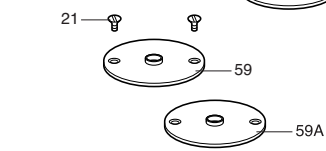
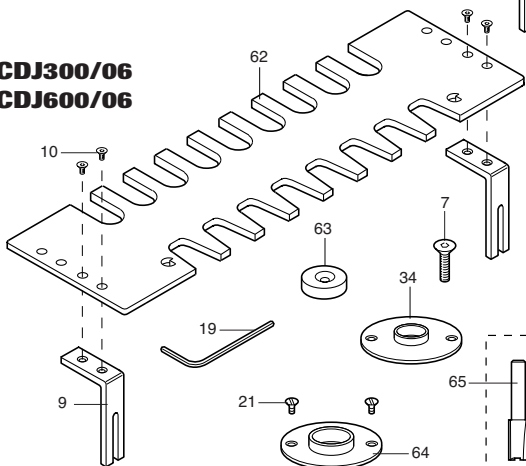
**CDJ300/04
CDJ600/04**



**CDJ300/05
CDJ600/05**



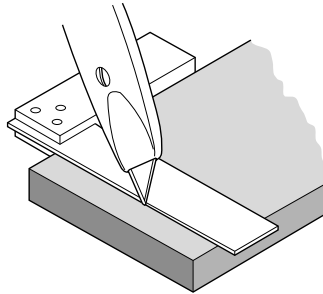
**CDJ300/06
CDJ600/06**



TROUBLE SHOOTING



- **Tear out** - this occurs when cutting across the grain and can be overcome by scribing the ends of the timber with a marking knife or gauge at the height of the cutter.
- **Lapped Dovetail joint too loose** - increase depth adjustment of cutter.
- **Lapped Dovetail joint too tight** - decrease depth adjustment of cutter.
- **Lapped Dovetail joint too shallow** - move template comb towards the jig body by adjusting the lock stop.
- **Lapped Dovetail joint too deep** - move template comb away from the jig body by adjusting the lock stop.
- **Box comb joint too shallow** - increase depth adjustment of cutter.
- **Box comb joint too deep** - decrease depth adjustment of cutter.
- **Through dovetail joint too loose** - move template for pin away from jig body.
- **Through dovetail joint too tight** - move template for pin towards jig body.



NOTES

MANU/CDJ v6.0



RECYCLABLE

Trend Machinery & Cutting Tools Ltd.

Odhams Trading Estate St Albans Road

Watford WD24 7TR England

Tel: 0044(0)1923 249911

technical@trendm.co.uk

www.trend-uk.com