



CRT/MK3

EN Original Instructions	P.21
DE Übersetzung Der Originalanleitung	P.28
FR Traduction Des Instructions Originales	P.36
NL Vertaling Van De Originele Instructies	P.44
SE Översättning Av De Ursprungliga Instruktionerna	P.52
IT Istruzioni originali	P.59
PL Oryginalne instrukcje	P.67
ES Instrucciones originales	P.75



Fig. 1

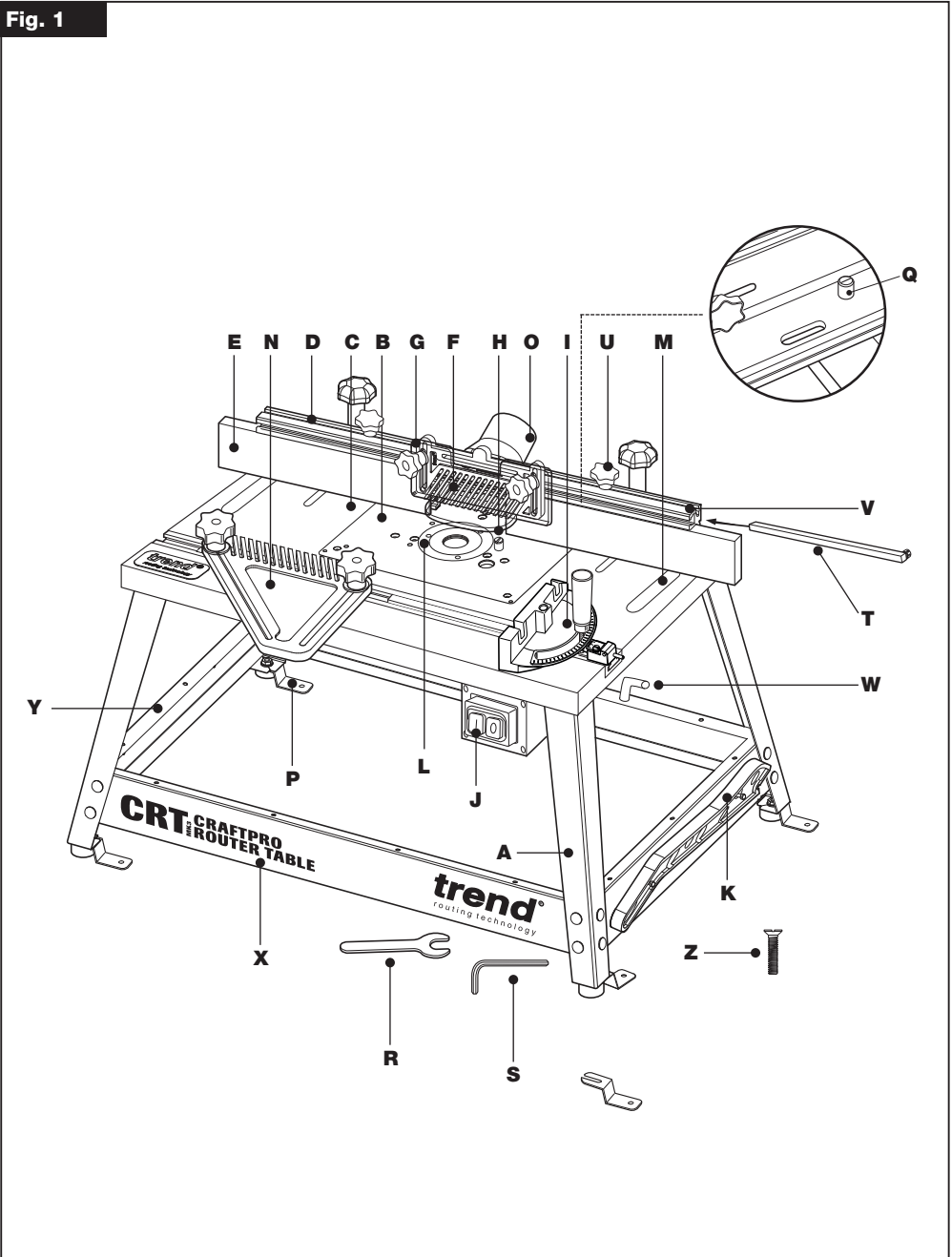


Fig. 2

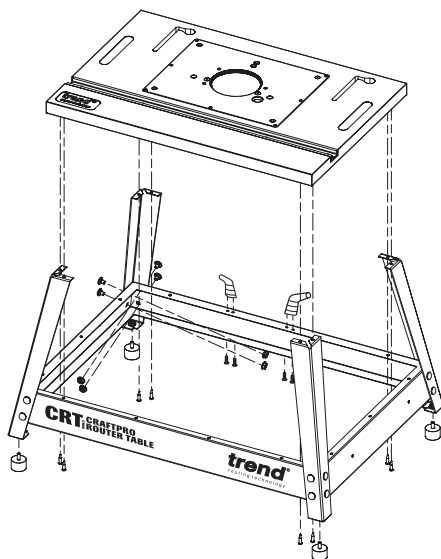


Fig. 3

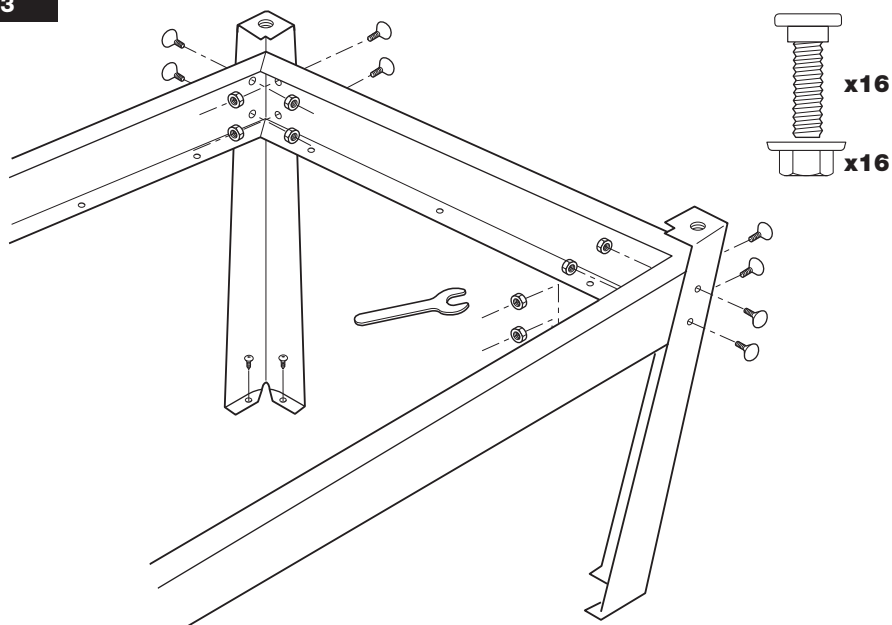


Fig. 4

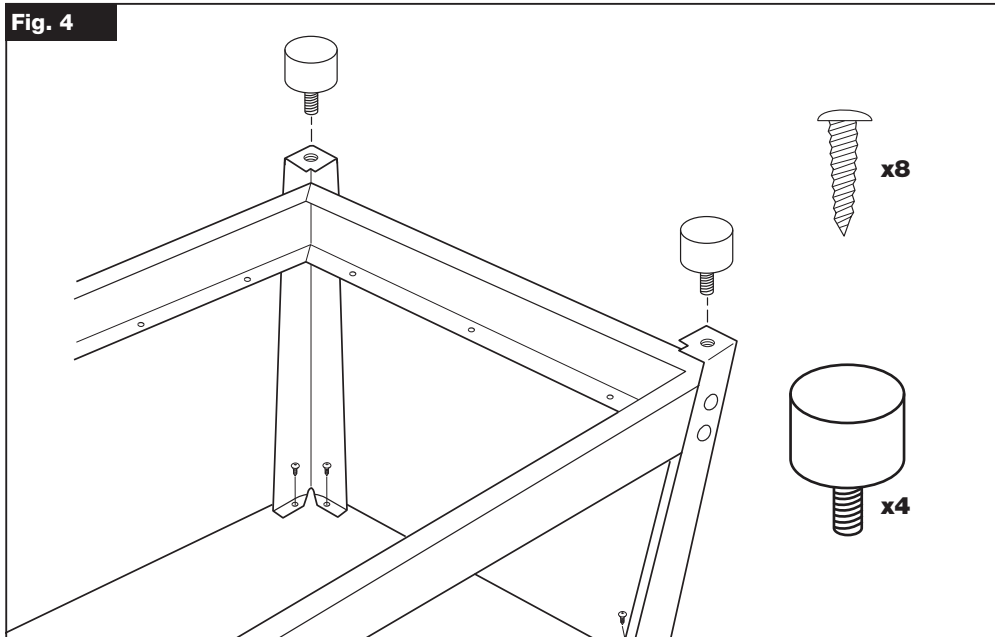


Fig. 5

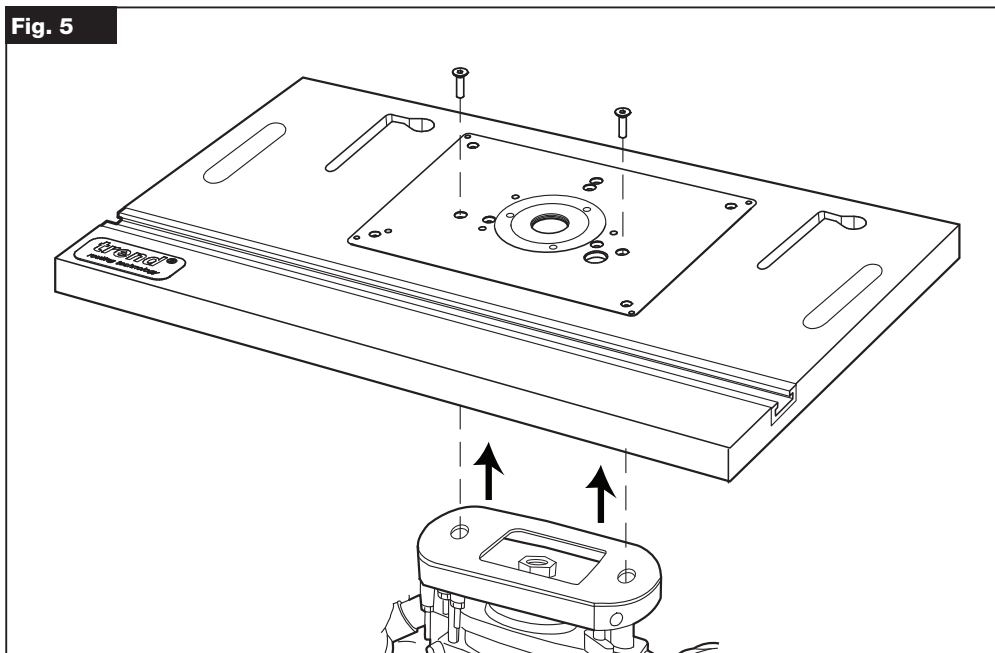


Fig. 6

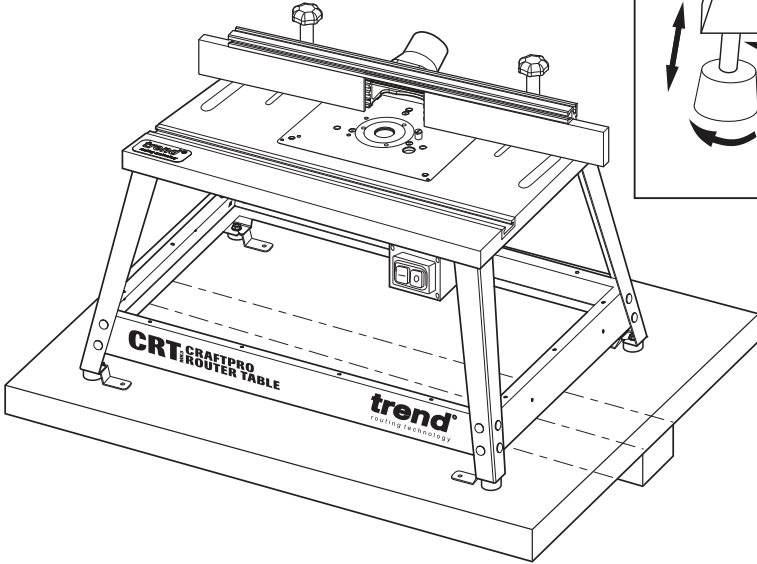


Fig. 6a

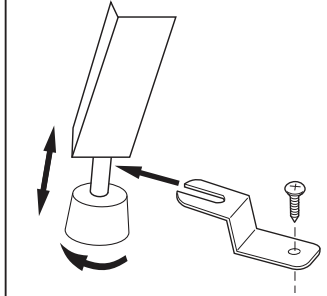


Fig. 7

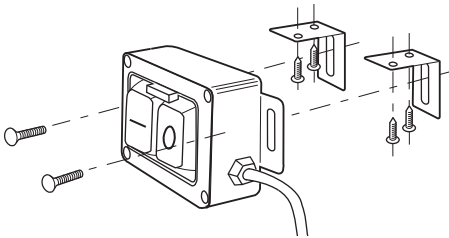


Fig. 7a

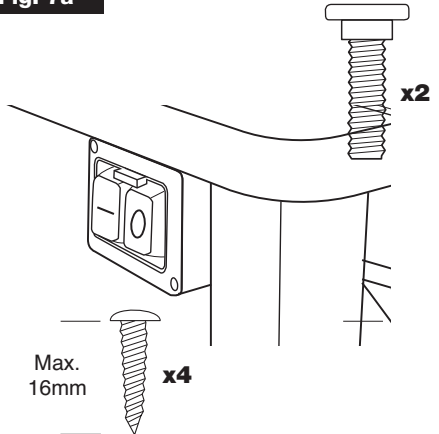


Fig. 8

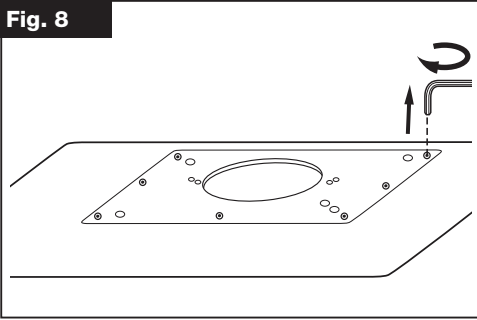


Fig. 9

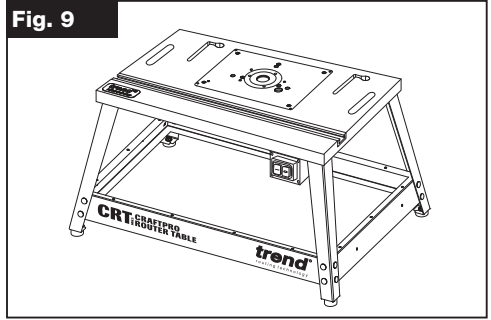


Fig. 9a

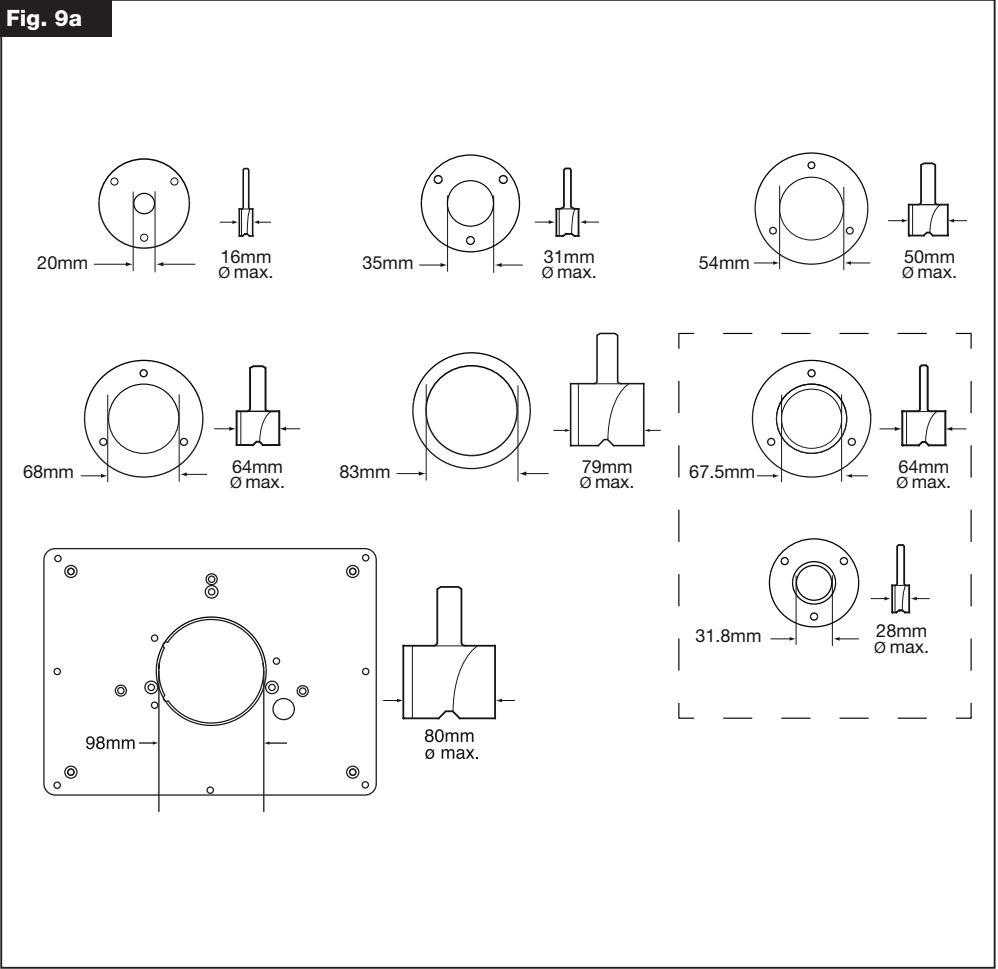


Fig. 9b

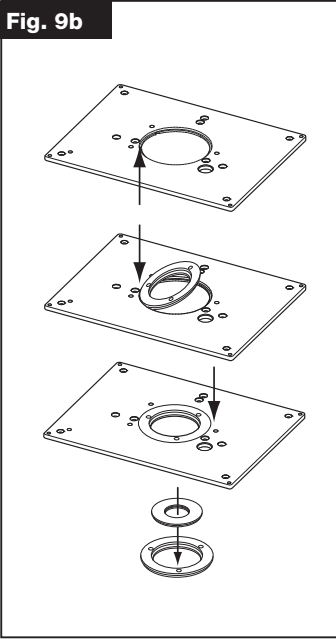


Fig. 10

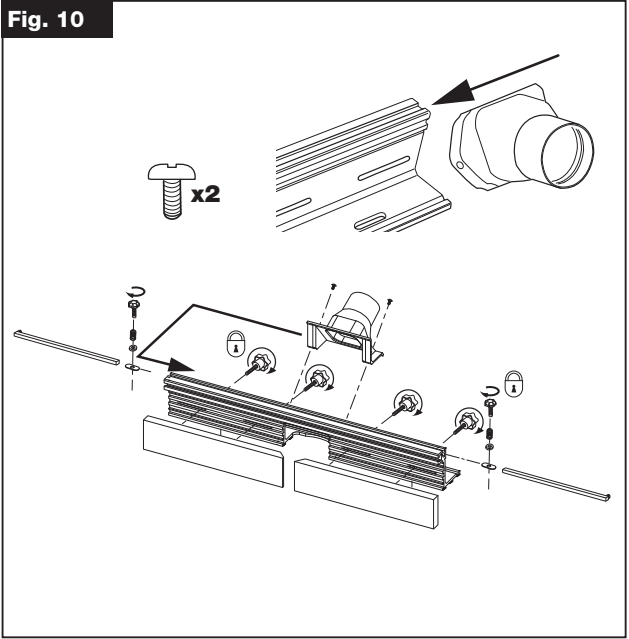


Fig. 10a

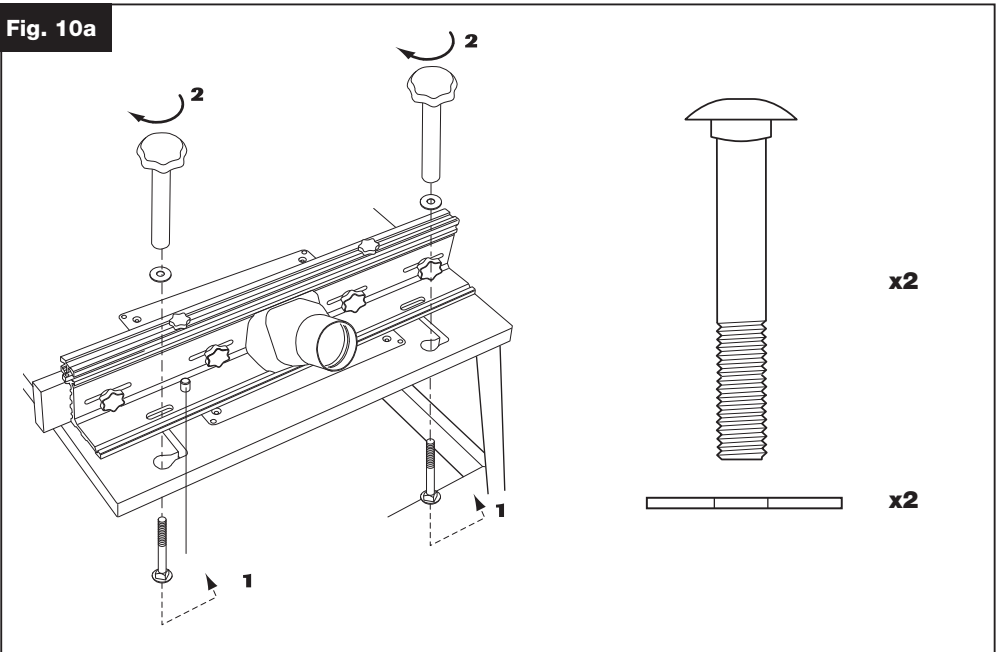


Fig. 11

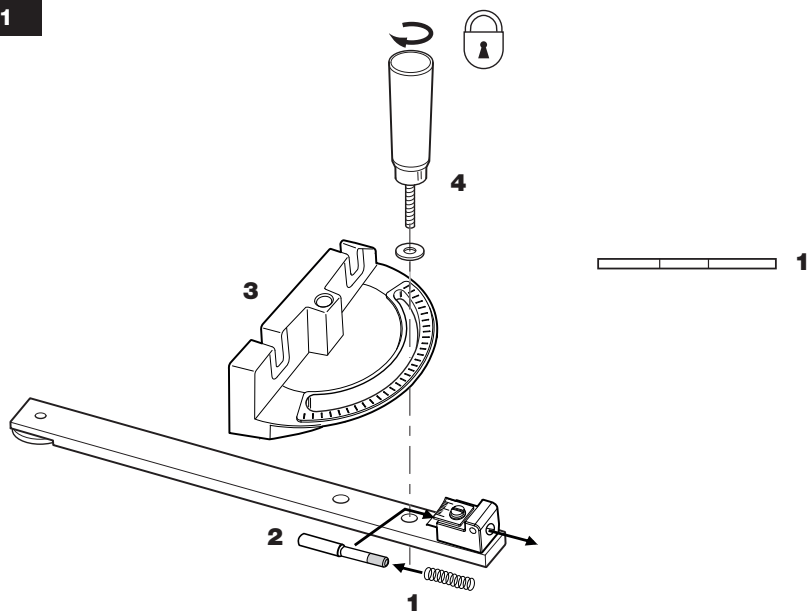


Fig. 12

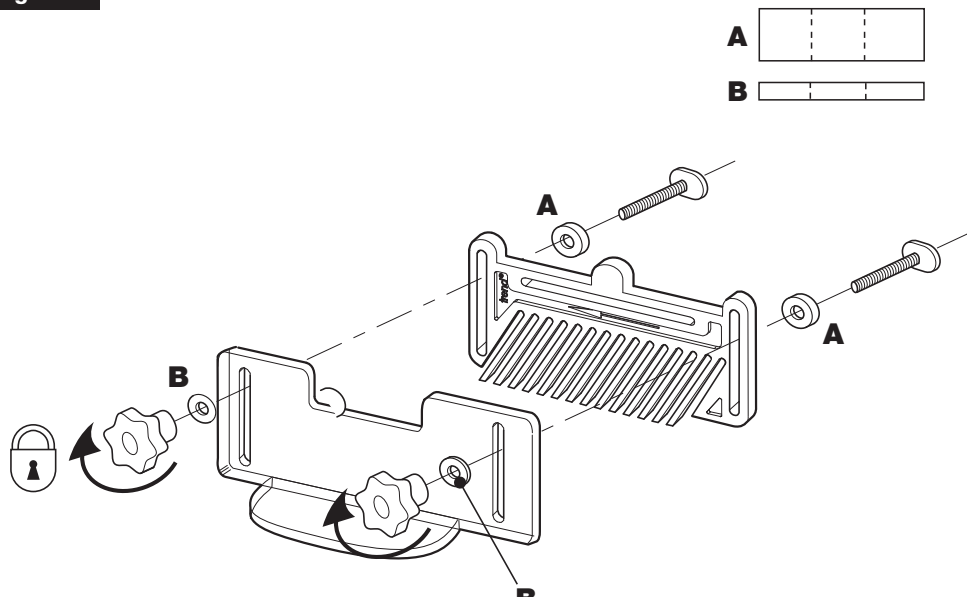


Fig. 12a

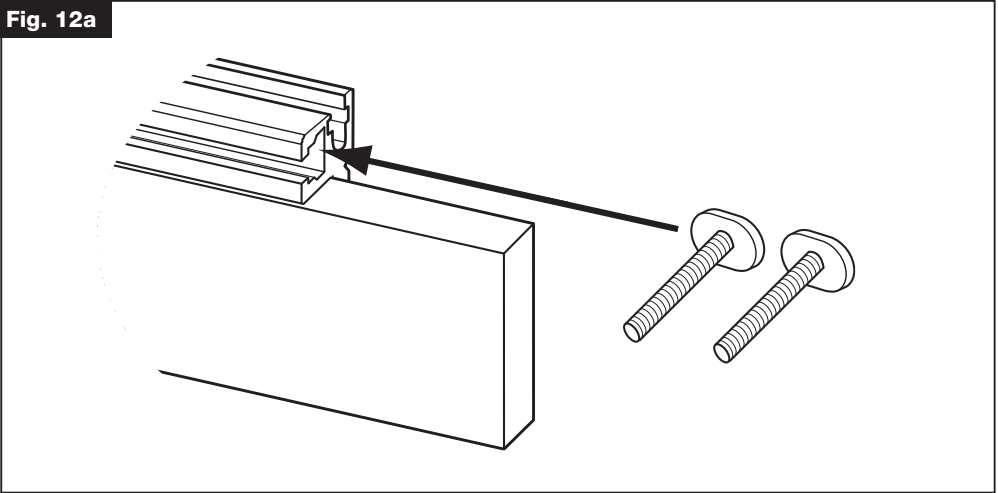


Fig. 12b

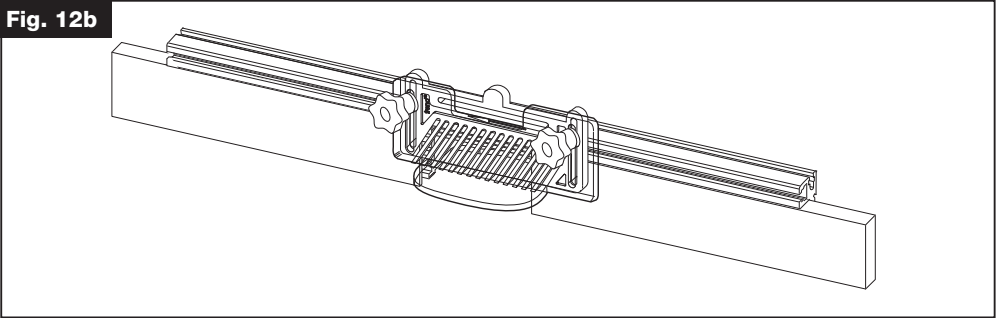


Fig. 12c

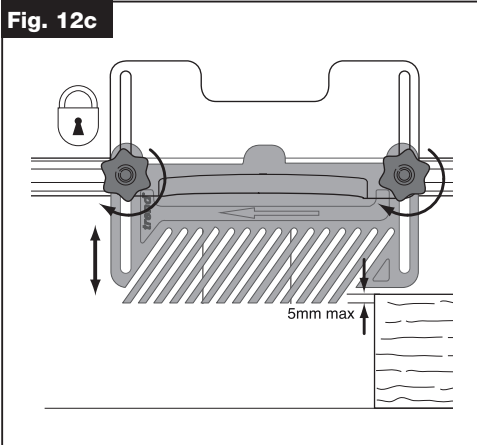


Fig. 12d

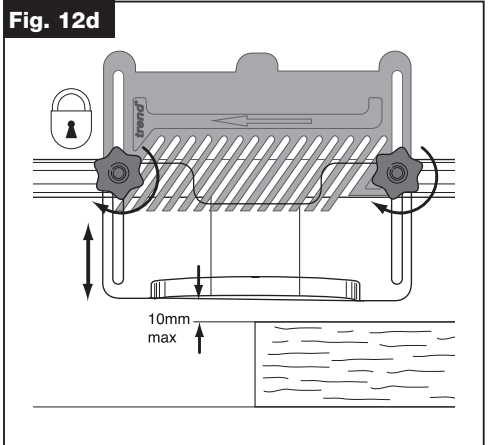


Fig. 13

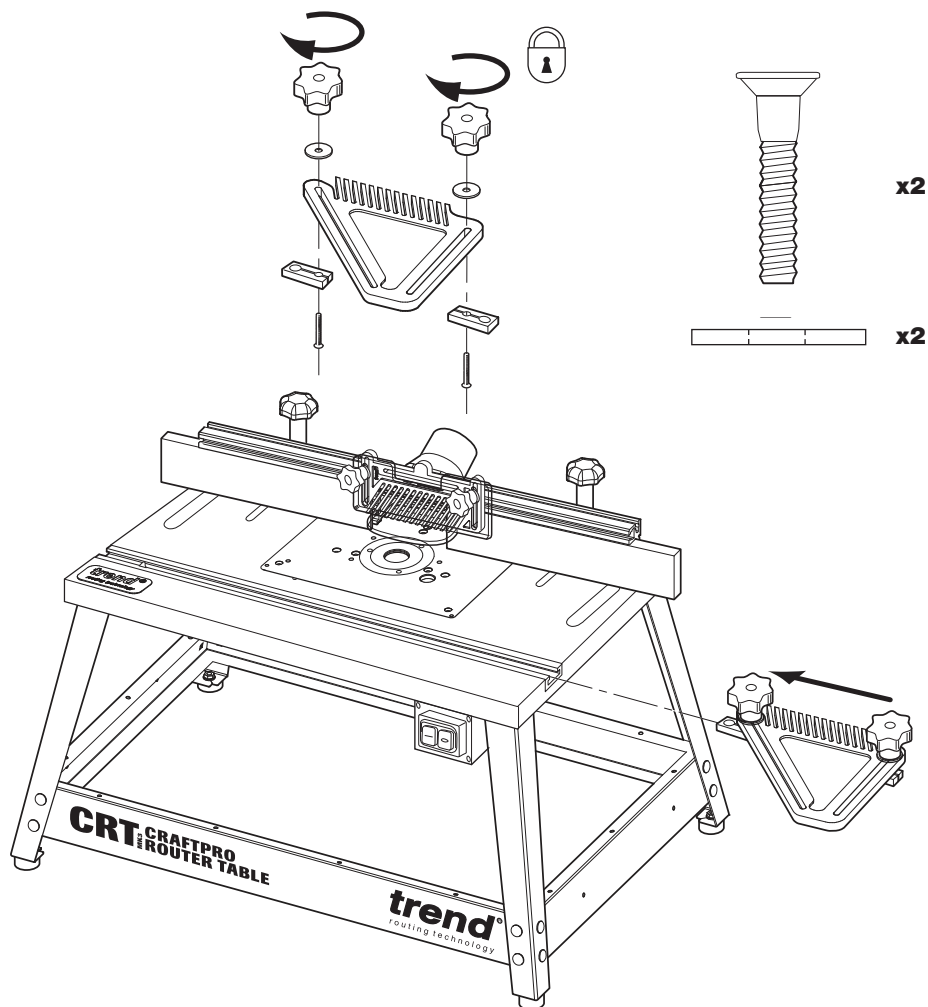


Fig. 13a

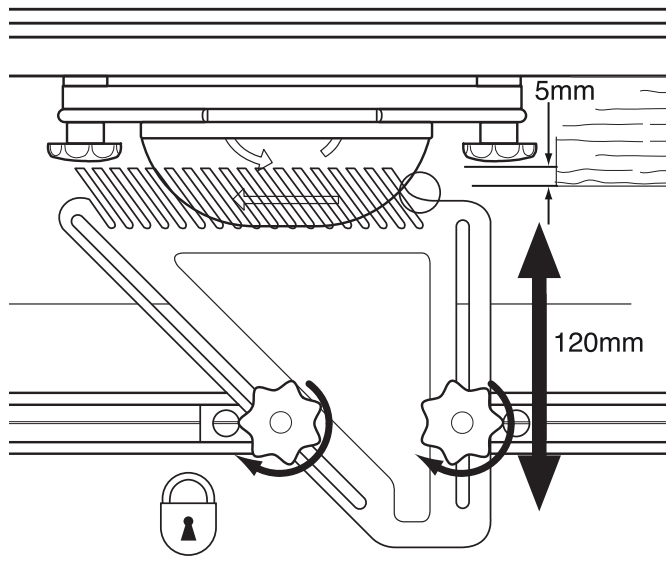


Fig. 14

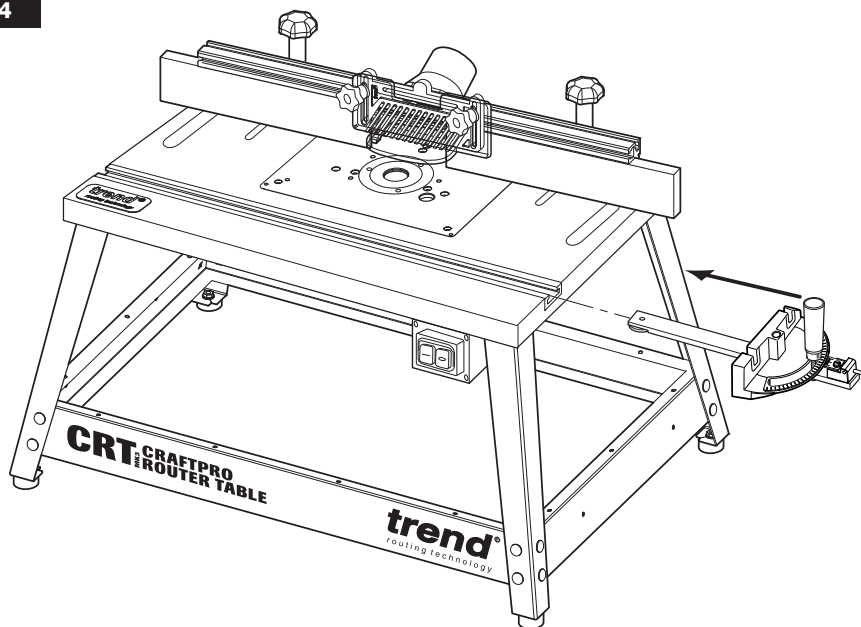


Fig. 15

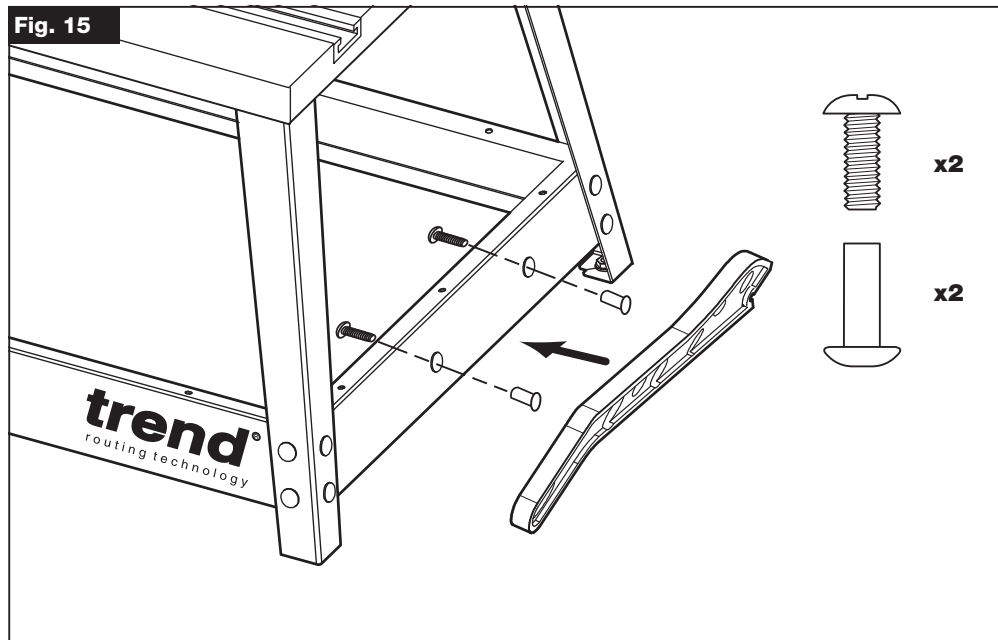


Fig. 16

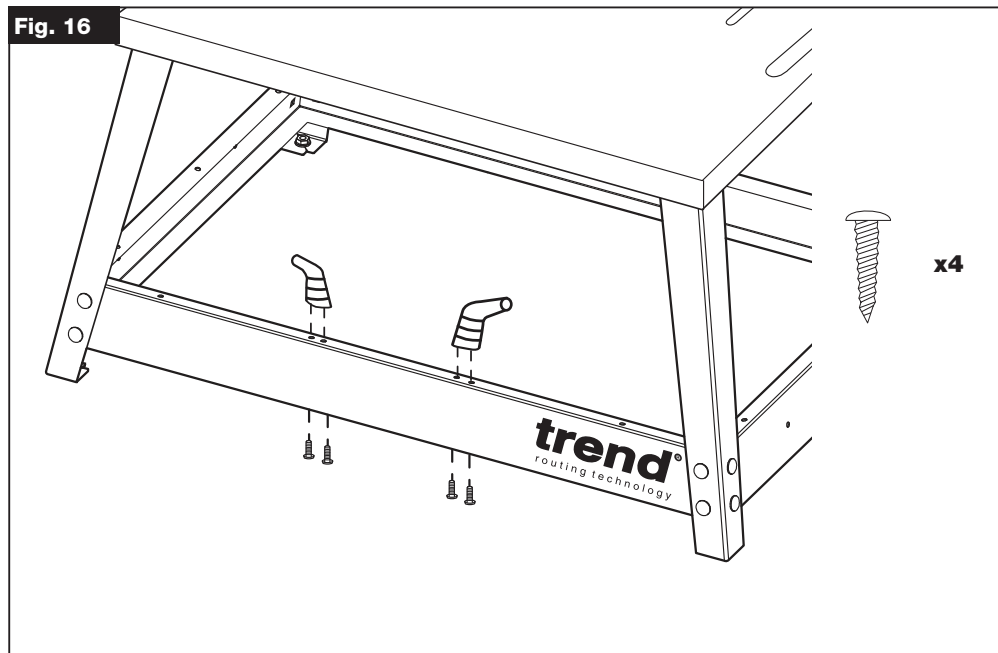


Fig. 17

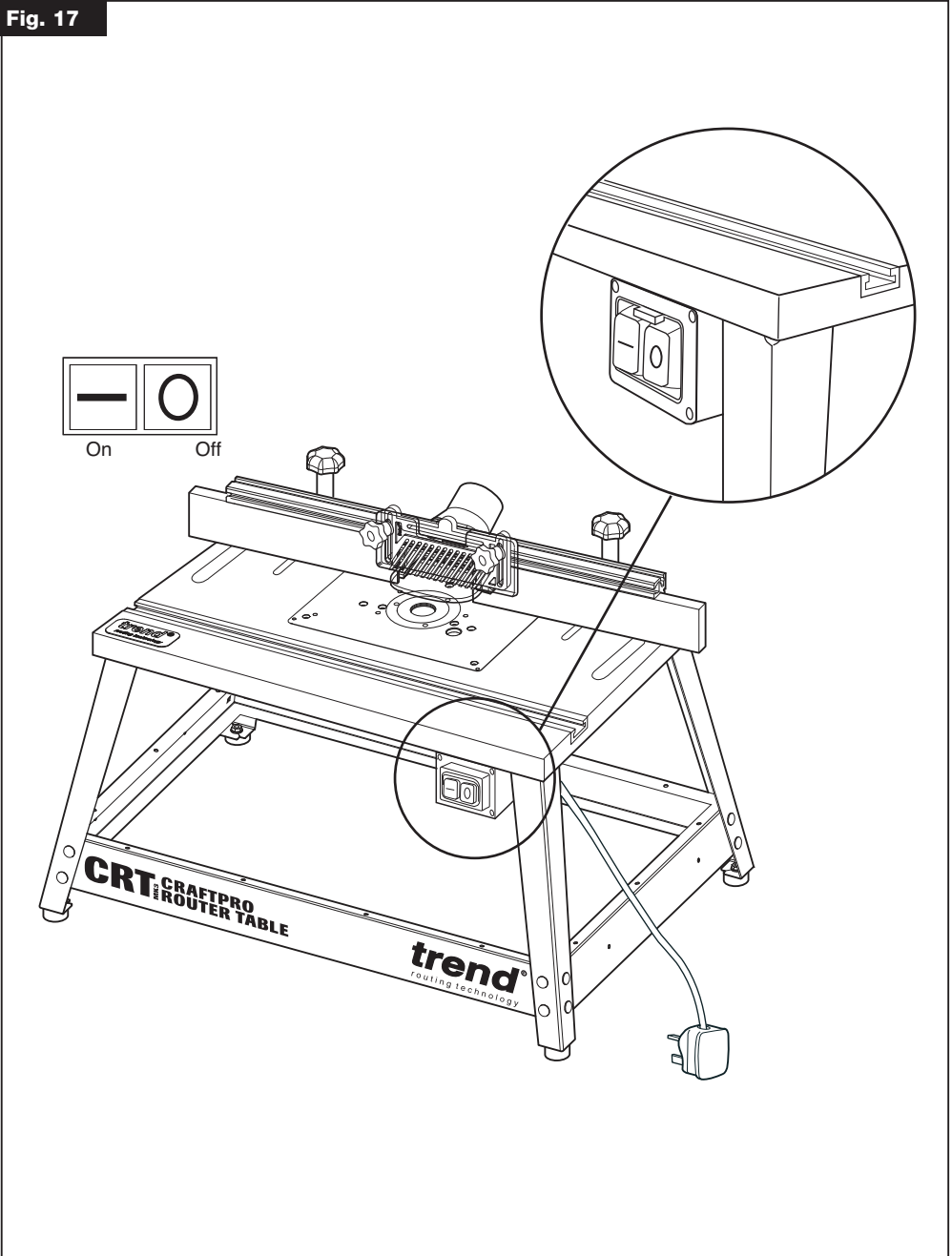


Fig. 18

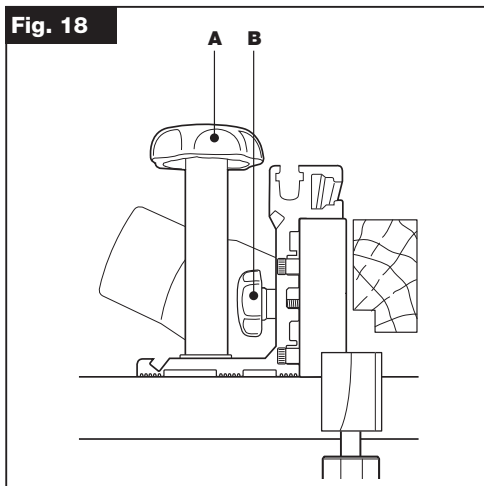


Fig. 18a

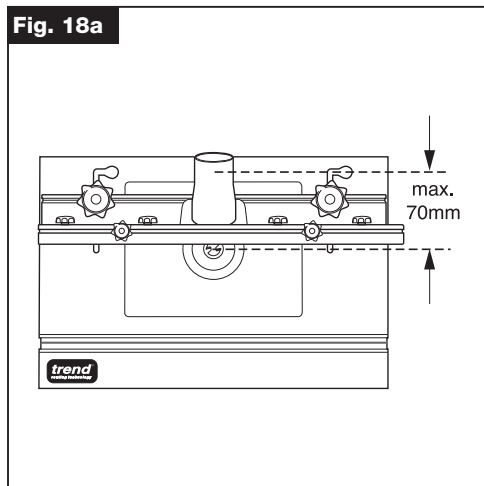


Fig. 18b

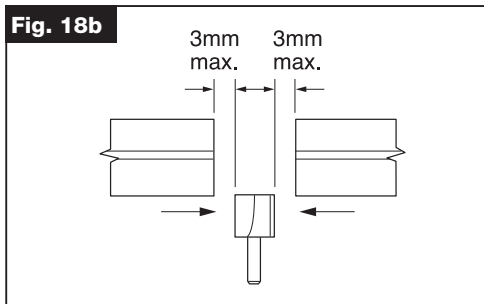


Fig. 19

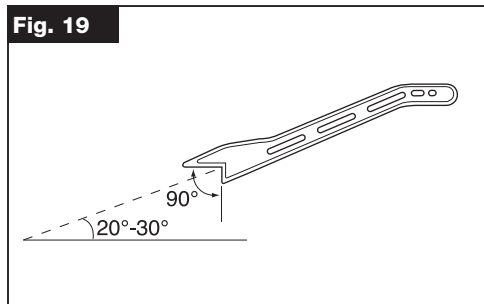


Fig. 20

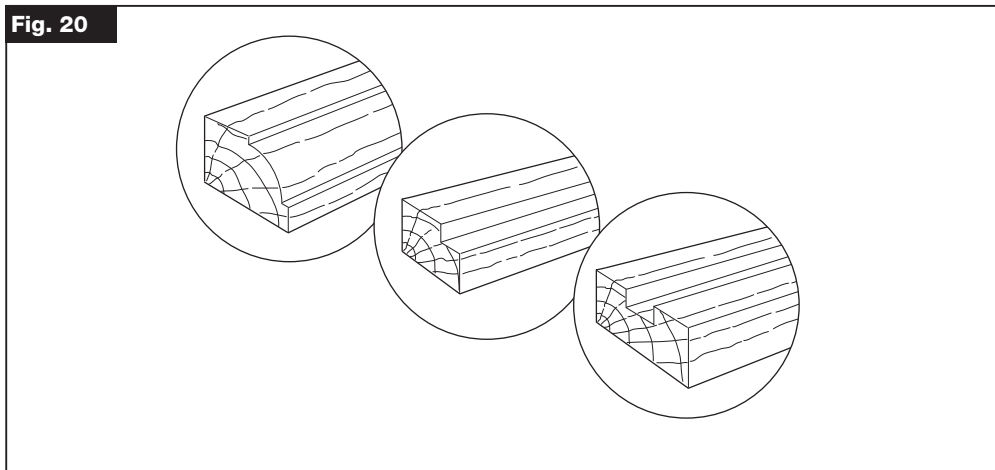
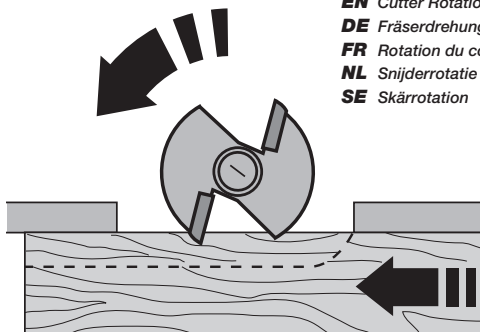


Fig. 21



- EN** Cutter Rotation
- DE** Fräserdrehung
- FR** Rotation du couteau
- NL** Snijderrotatie
- SE** Skärrotation

- EN** Feed Direction
- DE** Vorschubrichtung
- FR** Sens d'avancement
- NL** Doorvoerrichting
- SE** Matningsriktning

Fig. 21a

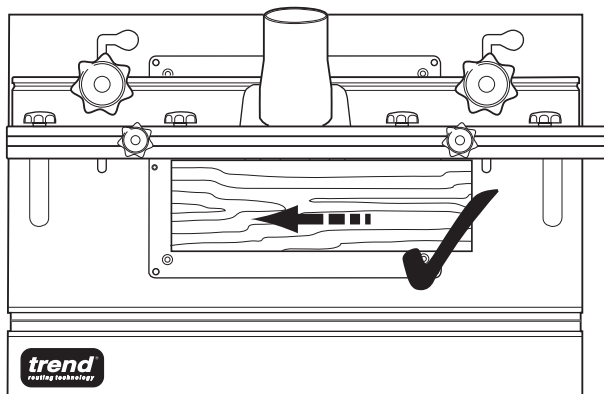


Fig. 21b

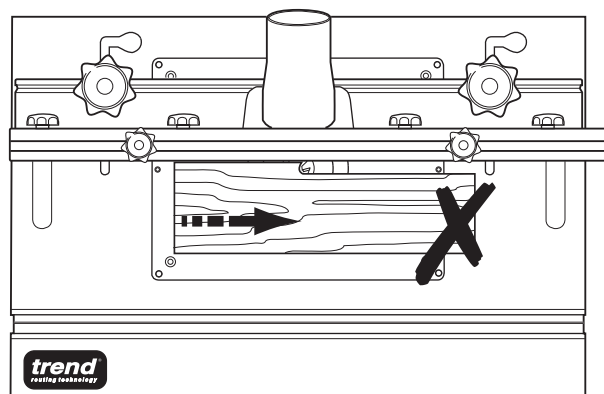


Fig. 22

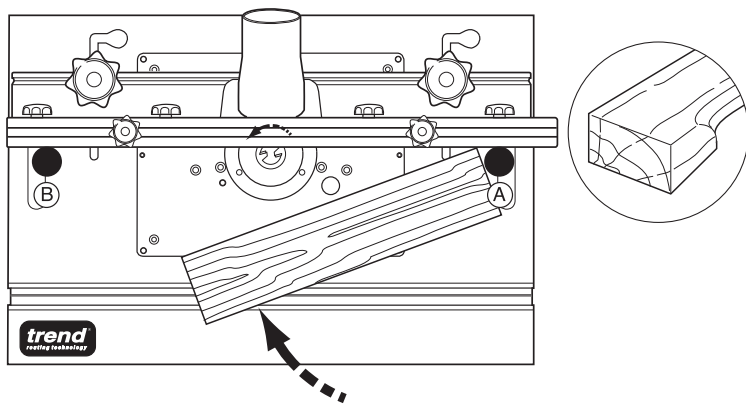


Fig. 22a

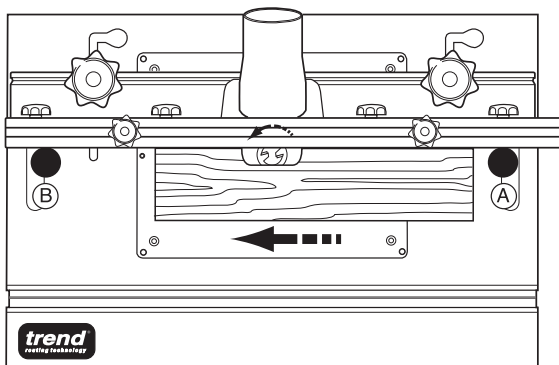


Fig. 22b

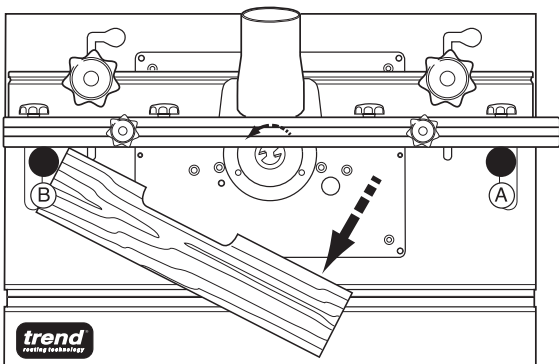


Fig. 23

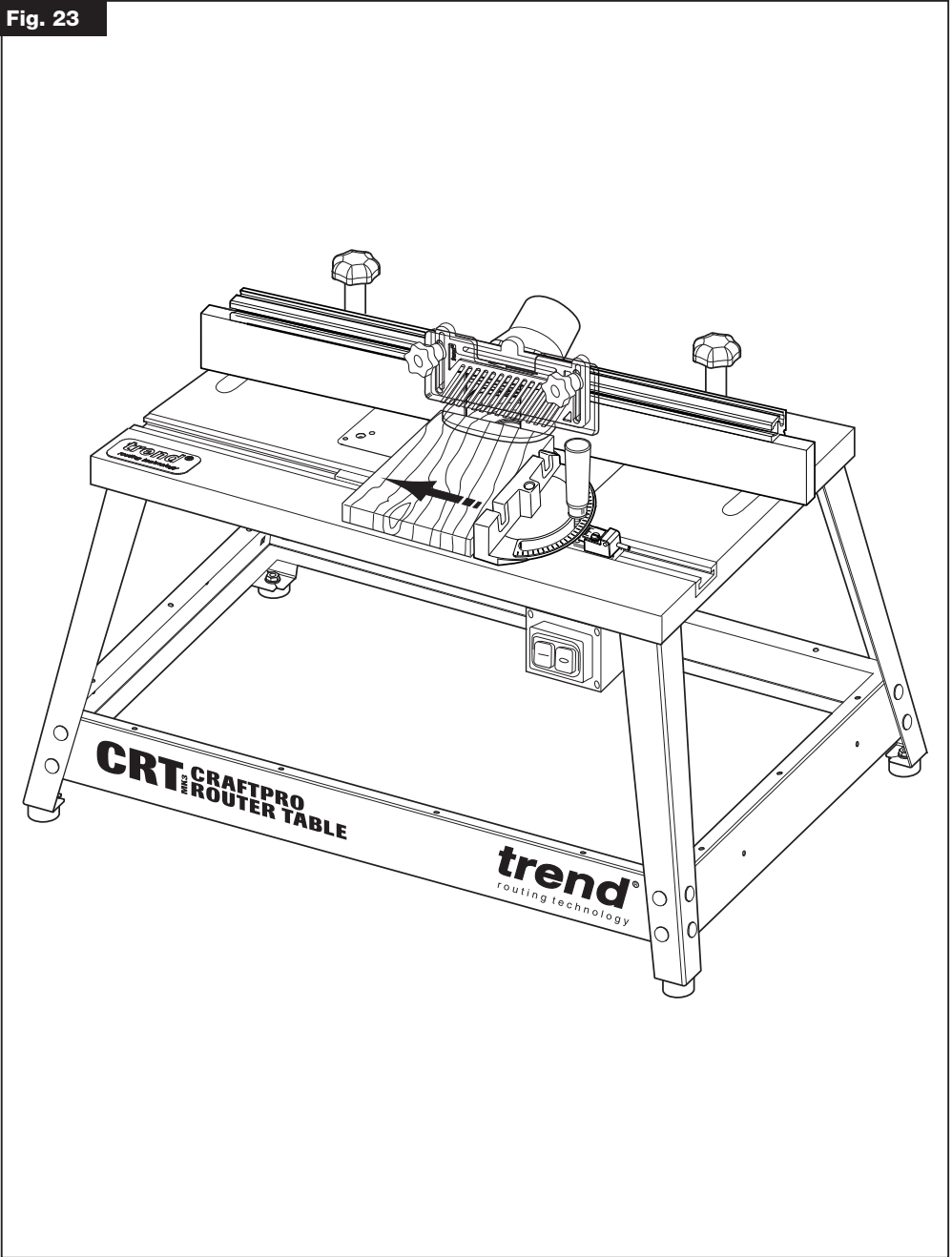


Fig. 24

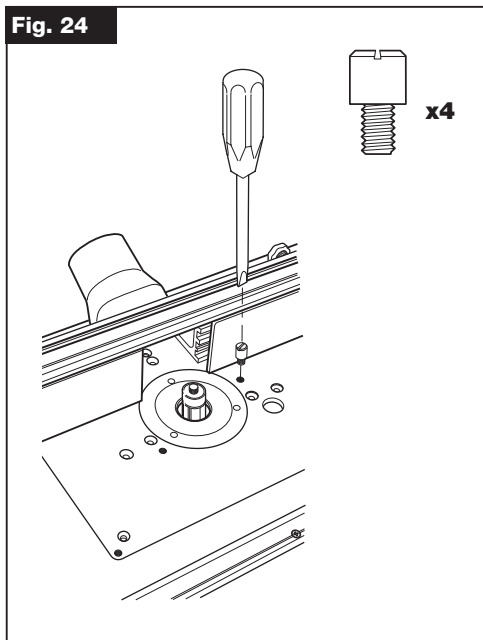


Fig. 24a

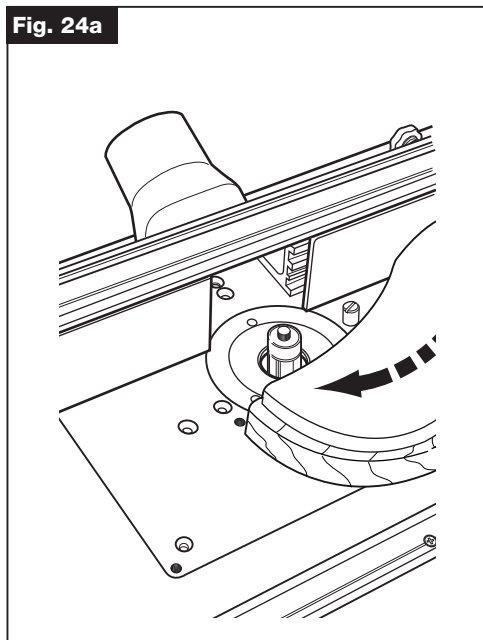


Fig. 24b

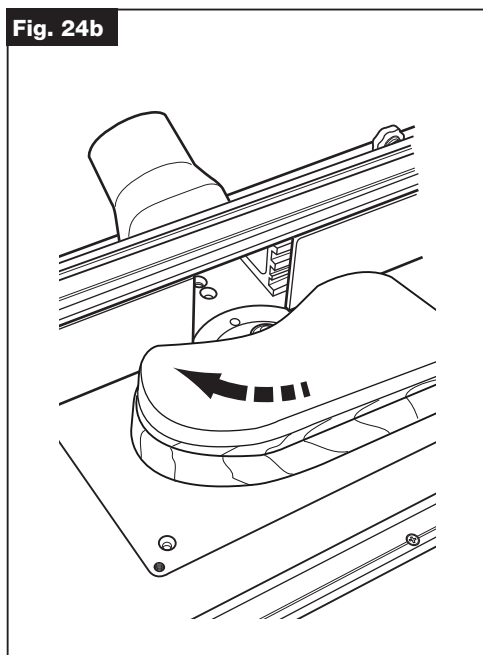


Fig. 24c

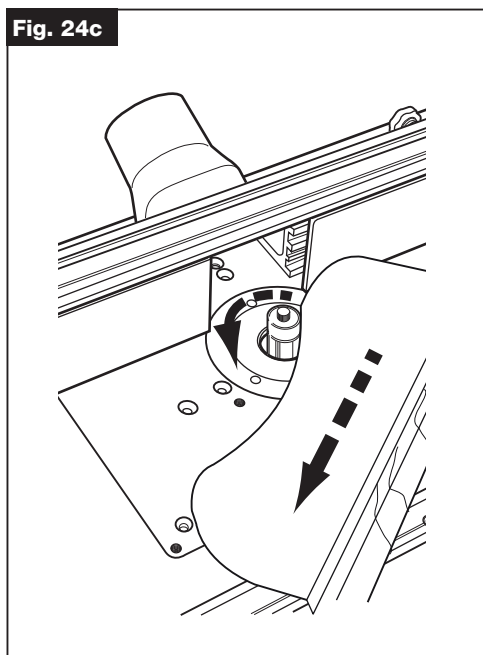


Fig. 25

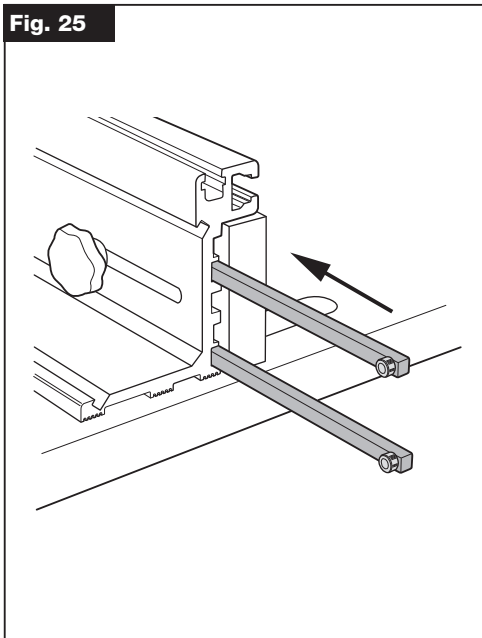


Fig. 25a

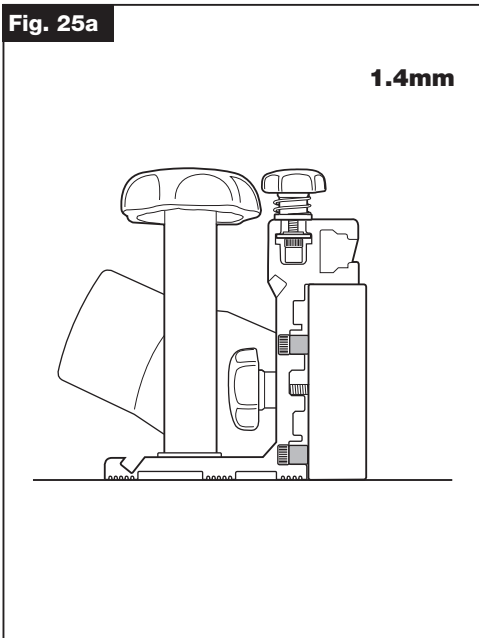


Fig. 26

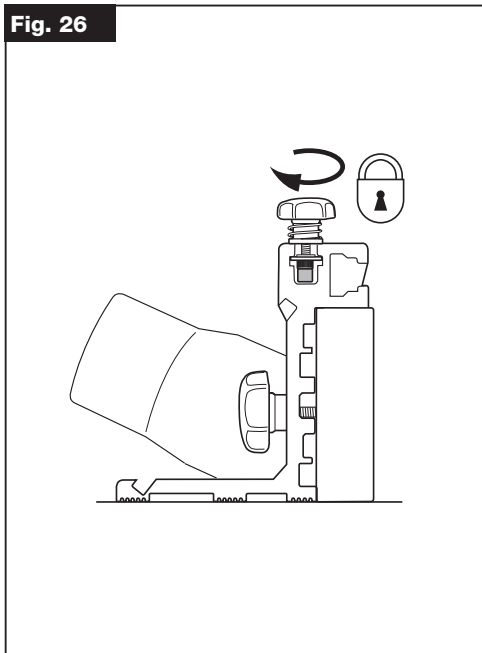


Fig. 26a

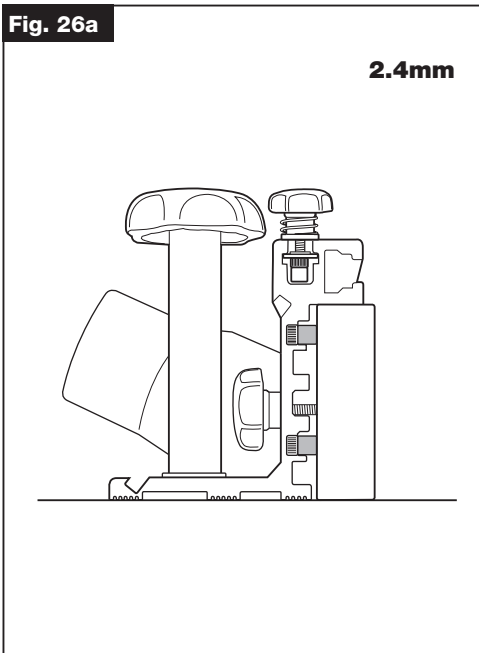


Fig. 27

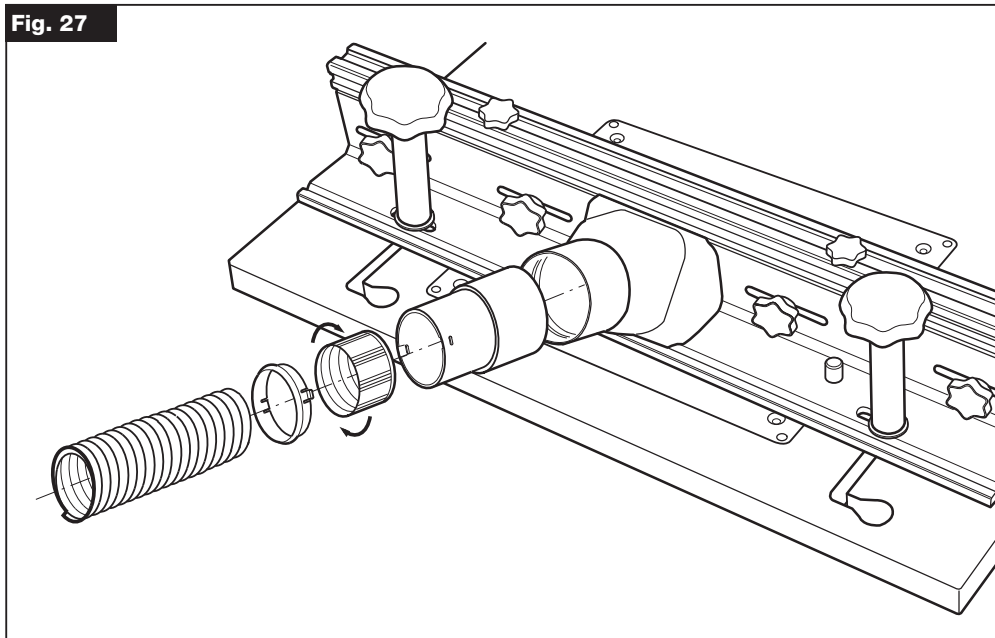
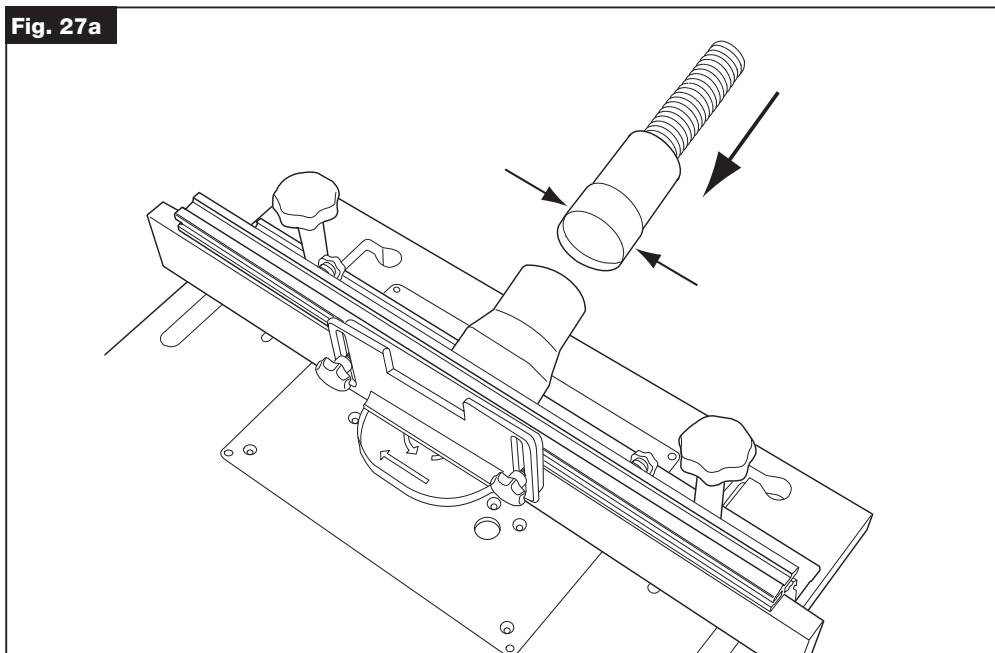


Fig. 27a



EN – CRT/MK3

Dear Customer,

Thank you for purchasing this Trend product, which should give lasting performance if used in accordance with these instructions.



CAUTION: Read the instructions before using the machine

Definitions: Safety Guidelines

The definitions below describe the level of severity for each signal word. Please read the manual and pay attention to these symbols.

The following symbols are used throughout this manual:



WARNING:

Indicates a potentially hazardous situation which, if not avoided, could result in death or serious injury.



CAUTION:

Indicates a potentially hazardous situation which, if not avoided, may result in minor or moderate injury.

NOTICE: Indicates a practice **not related to personal injury** which, if not avoided, **may result in property damage**.



Denotes risk of electric shock.



Denotes risk of fire.

Additional Symbols Used



Wear Personal Protective Equipment (PPE).

Ear, eye and respiratory protection must be worn.



Denotes risk of personal injury, loss of life or damage to the tool in case of non-observance of the instructions in this manual.



Refer to the instruction manual of your power tool.

ROUTER TABLE CRT/MK3

TECHNICAL DATA

Voltage	UK & Eire Europe	V _{AC} V _{AC}	240/115 230
On/Off switch			No-volt release
Dimensions	Width x depth	mm	610 x 405
Table height		mm	410
Cutter diameter max. Cutter height max.		mm mm	80 50
Loss of cutting depth due to table thickness		mm	6.35
Workpiece height max.		mm	60
Workpiece length max.*		mm	590
Weight		kg	13.6

* Unless a workpiece support is used.

Fuses		
UK & Eire	230V tools	13 Amperes, in plug
UK & Eire	115V tools	16 Amperes, main
Europe	230V tools	16 Amperes, main

INTENDED USE

The unit is intended for stationary operation of portable routers for the cutting of wood or wood based material when suitable cutter is fitted.

It is not intended for continuous production or production line use.

This router table is a professional product.

DO NOT use under wet conditions or in presence of flammable liquids or gases.

DO NOT let children come into contact with this appliance. Supervision is required when inexperienced operators use this appliance.

This product is not intended for use by persons (including children) suffering from diminished physical, sensory or mental abilities ; lack of experience, knowledge or skills unless they are supervised by a person responsible for their safety. Children should never be left alone with this product.



EN 60745-1:2009 + A11:2010 Annex M & EN 60745-2-17:2010 Annex M

Safety of working stands for operation with hand-held motor-operated electric tools.

Annex M applies to working stands (router table) with or without mains supply, and intended to be used in combination with hand-held electric tools but not intended for continuous production or production line use.

**GENERAL WORKING STAND (ROUTER TABLE)
SAFETY RULES**



WARNING! Read all instructions. Failure to follow all instructions listed below may result in electric shock, fire and/or serious injury. The term "router" in all of the warnings listed below refers to your mains operated (corded) router power tool or battery operated (cordless) router power tool.

Observe the safety regulations in the instruction manual of the router power tool to be used.

SAVE THESE INSTRUCTIONS

1. General router table safety (Annex M)

- a) Disconnect the plug from the power source before making any adjustments or changing accessories. Accidental starting of the router is a cause of some accidents.
- b) Properly assemble the router table before mounting the router. Proper assembly is important to prevent risk of collapse.
- c) Securely fasten the router to the router table before use. Router shifting on the router table can cause loss of control.
- d) Place the router table on a solid, flat and level surface. When the router table can shift or rock, the router or workpiece cannot be steadily or safely controlled.
- e) Do not overload the router table or use as a ladder or scaffolding. Overloading or standing on the router table causes the table to be top heavy and likely to tip over.
- f) The router table is for use with the routers listed in the manual only. The router table must not be used with any other power tool. Fitting of a tool not intended for a router table can cause an injury.
- g) Insert rings. Use the correct table rings in relation to the size of the cutter tool.
- h) Always wear suitable personal protective equipment. This includes hearing protection to reduce the risk of induced hearing loss; respiratory protection to reduce the risk of inhalation of harmful dust; gloves to avoid possible injuries when handling cutter block and rough material due to sharp edges; safety glasses to avoid eye injury caused by flying particles;
- i) Possible contact of the cutter block with hand and fingers of the operator. Ensure correct guard is fitted and

adjusted to prevent accessibility to portions of the cutter tool not being used;

- j) Possible kickback, an unexpected rapid reaction to uncontrolled guiding of small work pieces opposite to the direction of feed cutting. Use horizontal pressure devices when working narrow workpieces to ensure safe working;
 - k) Hazardous situation due to uncontrolled lift up of the workpiece.
 - l) When performing curved work, the necessity to guide the workpiece in the correct way to prevent cutting injuries. Use lead on pin, top pressure and guard system to ensure safe operation.
 - m) Incorrect use of cutter tools, workpiece and guiding devices may lead to dangerous situation. Ensure operator handles the workpiece correctly. Operator must use, adjust and operate workpiece clamps and guiding devices properly. Operator must ensure correct tool selection.
 - n) Unmaintained tools can cause uncontrolled situations. Use cutting tools which are sharpened, maintained and adjusted in accordance with the tool manufacturers instructions;
 - o) Possible contact with moving parts. Switch off the machine and pull the plug when changing or adjusting.
 - p) Keep hands away during straight work it. Use where possible pressure device in conjunction with the fence.
 - q) Missing stops can cause kickback. Use back and/or front stops fixed to the fence when doing stopped work.
 - r) Router mounting. Mount and secure the hand-held router to the router table properly.
 - s) Possible mistake of tool position: Fit the cutter tooling to the machine correctly and feed the workpiece against the direction of spindle rotation.
 - t) Cutter speed. Select the correct speed corresponding to the tooling and material being used.
 - u) Incorrect adjustment of fences. Fences shall be adjusted in relation to the different work. A false fence can be made and secured to the fence cheeks, an is used to minimise the gap between cutting tool and fence plate.
 - v) Workpiece size. See technical data section of table manual for workpiece dimensions the working stand is intended for. For longer lengths a workpiece support is required.
 - w) Maximum tool cutter diameter. See technical data section of router table manual for the maximum cutter tool diameter the working stand is recommended for.
 - x) When machining wood. Use the correct size dust collecting spout and hose to suit back fence dust spout aperture.
- 2. Work area**
- a) Keep work area clean and well lit. Cluttered and dark areas invite accidents.
 - b) Do not operate router and router table in explosive atmospheres, such as in the presence of flammable liquids, gases or dust. Routers and router table switches create sparks which may ignite the dust or fumes.

c) Keep children and bystanders away while operating a power tool. Distractions can cause you to lose control.

3. Electrical safety

a) Router and router table switch plugs must match the outlet. Never modify the plug in any way. Do not use adapter plugs with earthed (grounded) power tools. Unmodified plugs and matching outlets will reduce risk of electric shock.

b) Avoid body contact with earthed or grounded surfaces such as pipes, radiators, ranges and refrigerators. There is an increased risk of electric shock if your body is earthed or grounded.

c) Do not expose router and router table to rain or wet conditions. Water entering a router or router table switch will increase the risk of electric shock.

d) Do not abuse the cord. Never use the cord for carrying, pulling or unplugging the router and router table switch. Keep cord away from heat, oil, sharp edges or moving parts. Damaged or entangled cords increase the risk of electric shock.

e) When operating a router and router table outdoors, use an extension cord suitable for outdoor use. Use of a cord suitable for outdoor use reduces the risk of electric shock.

4. Personal safety

a) Stay alert, watch what you are doing and use common sense when operating a router and router table. Do not use while you are tired or under the influence of drugs, alcohol or medication. A moment of inattention while operating a router and router table may result in serious personal injury.

b) Use safety equipment. Always wear eye protection. Safety equipment such as dust mask, non-skid safety shoes, hard hat, or hearing protection used for appropriate conditions will reduce personal injuries.

c) Avoid accidental starting. Ensure the switch is in the off position before plugging in. Carrying routers with your finger on the switch or plugging in routers that have the switch on invite accidents.

d) Remove any adjusting key or wrench before turning the router and router table on. A wrench or a key left attached to a rotating part of the router may result in personal injury.

e) Do not overreach. Keep proper footing and balance at all times. This enables better control of the workpiece in unexpected situations.

f) Dress properly. Do not wear loose clothing or jewellery. Keep your hair, clothing and gloves away from moving parts. Loose clothes, jewellery or long hair can be caught in moving parts.

g) Connect router table to dust extraction devices. Use of these devices can reduce dust related hazards.

5. Router and router table use and care

a) Do not force the router. Use the correct router cutter for your application. The router will do the job better and safer for which it was designed.

b) Do not use the router or router table of the switch does not turn it on and off. Any router that cannot be controlled with the switch is dangerous and must be repaired.

c) Disconnect the plug from the power source before making any adjustments, changing accessories, or sorting router and router table. Such preventative safety measures reduce the risk if starting the power tool accidentally.

d) Store idle routers and router tables out of the reach of children and do not allow persons unfamiliar with the router or router table or these instructions to operate the tool. Routers and router tables are dangerous in the hands of untrained users.

e) Maintain router and router table. Check for misalignment or binding of moving parts, breakage of parts and any other condition that may affect the tools operation. If damaged, have the router or router table repaired before use. Many accidents are caused by poorly maintained power tools.

f) Keep cutting tools sharp and clean. Properly maintained cutting tools with sharp cutting edges are less likely to bind and are easier to control.

g) Use the router, router table, accessories and tool bits etc., in accordance with these instructions and in the manner intended for the particular type of router, taking in account the working conditions and the work to be performed. Use of the router or router table for operations different from intended could result in a hazardous situation.



ELECTRICAL SAFETY

Power Supply

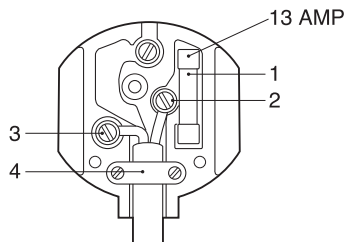


WARNING: Before any maintenance work, isolate mains plug from power source

Mains Plug Replacement (UK & Ireland only)

Always check the condition of the cable and plug before starting with your work. Should your mains plug need replacing and you are competent to do this, proceed as instructed below. If you are in doubt, contact an authorised Trend repair agent or a qualified electrician.

- Disconnect the plug from the supply.
- Cut off the plug and dispose of it safely; a plug with bared copper conductors is dangerous if engaged in a live socket outlet.
- Only fit 13 Amperes BS 1363A approved plugs fitted with a 13 Amp A.S.T.A approved BS 1362 fuse (1).
- The cable wire colours, or a letter, will be marked at the connection points of most good quality plugs. Attach the wires to their respective points in the plug (see below). Brown is for Live (L) (2) and Blue is for Neutral (N) (3).
- Before replacing the top cover of the mains plug ensure that the cable restraint (4) is holding the outer sheath of the cable firmly and that the two leads are correctly fixed at the terminal screws.



For 115V units with a power rating exceeding 1500W we recommend to use a plug to BS4343 standard.

Using an Extension Cable

- If an extension cable is required, use an approved triple core extension cable suitable for the power input of this tool (see technical data). The minimum conductor size is 1.5mm².
- When using a cable reel, always unwind the cable completely.
- Also refer to the table below.

Conductor size (mm ²)		Cable rating (Amperes)					
0.75		6					
1.00		10					
1.50		15					
2.50		20					
4.00		25					
Cable length (m)							
		7.5	15	25	30	45	60
Voltage	Amperes	Cable rating (Amperes)					
115	0 - 2.0	6	6	6	6	6	10
	2.1 - 3.4	6	6	6	6	15	15
	3.5 - 5.0	6	6	10	15	20	20
	5.1 - 7.0	10	10	15	20	20	25
	7.1 - 12.0	15	15	20	25	25	-
	12.1 - 20.0	20	20	25	-	-	-
230	0 - 2.0	6	6	6	6	6	6
	2.1 - 3.4	6	6	6	6	6	6
	3.5 - 5.0	6	6	6	6	10	15
	5.1 - 7.0	10	10	10	10	15	15
	7.1 - 12.0	15	15	15	15	20	20
	12.1 - 20.0	20	20	20	20	25	-

RESIDUAL RISKS

In spite of the application of the relevant safety regulations and implementation of safety devices, certain residual risks cannot be avoided.

These are:-

- Impairment of hearing.
- Risk of personal injury due to flying particles.
- Risk of burns due to accessories becoming hot during operation.
- Risk of personal injury due to prolonged use.

MARKINGS ON TABLE

The following pictures are shown on the tool.



Read instruction manual before use.

Date Code Position

The year of manufacture is on a label next to the rating plate.

ITEMS ENCLOSED

- 1 x Table top
- 4 x Legs, and fixing screws
- 4 x Leg rails
- 1 x Back fence and scale
- 2 x Fence cheeks
- 4 x Fence cheek knobs
- 1 x Top guard, top pressure and fixing knob assembly
- 1 x Dust spout and fixing screws
- 2 x Back fence fixing knobs and bolts
- 1 x Side pressure and fixing knob assembly
- 2 x Edge planing rods
- 2 x Edge planing rod locking knob assemblies
- 16 x Leg rail fixing screws and nuts
- 1 x Insert plate and fixing screws
- 1 x No-volt release switch and fixing screws
- 1 x Mitre fence assembly
- 6 x Insert rings
- 1 x Lead-on pin
- 1 x Pushstick and pushstick park assembly bolts
- 2 x Table top scales (fitted)
- 4 x Bench mounting brackets and screws
- 2 x Cable management clips and screws
- 1 x Spanner 10mm A/F
- 1 x Hex key 3mm A/F
- 1 x Router screw fixing pack
- 1 x Instructions
- 1 x Guarantee card

DESCRIPTION OF PARTS - (Fig. 1)

- A.** Legs
- B.** Insert plate
- C.** Table top
- D.** Back fence
- E.** Fence cheek
- F.** Top pressure
- G.** Top guard
- H.** Lead-on pin
- I.** Mitre fence
- J.** Switch
- K.** Pushstick
- L.** Insert rings
- M.** Table top scales
- N.** Side pressure
- O.** Dust spout
- P.** Bench mounting bracket
- Q.** Lead-on pin park
- R.** Spanner
- S.** Hex key 3mm AF
- T.** Edge planing rod
- U.** Edge planing rod locking assembly
- V.** Backfence scale
- W.** Cable management clips
- X.** Leg rails long
- Y.** Leg rails short
- Z.** Router fixing screw pack

ITEMS REQUIRED

- Phillips® No.2. screwdriver.
- Router.
- Hand tools.
- User made bench.
- Spanner 8mm A/F for mitre fence.
- Slotted screwdriver for lead on pin.

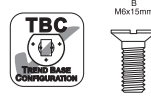
ASSEMBLY

Assembly of Table and Leg Frame - (Fig. 2)

Leg Assembly - (Fig. 3)

Bench Top Assembly - (Fig. 4)

Router Compatibility



Make	Router Model	Screw x Qty
TREND	T3, T4, T5	B X 2
TREND	T10, T11, T12, T14	B X 3
CMT	CMT1E	B X 3
DEWALT	DW613, 614, 615	B X 2
DEWALT	DW624, 625E, DWE625, 627	B X 3
ELU	MOF96(E) MK2	B X 2
ELU	MOF131, 177 (E) MK2	B X 3
PERLES	OF808(E) > 1999	B X 2

Mounting Router to Insert Plate - (Fig. 5)

Mounting Table to Workbench or Workboard - (Fig. 6 & 6a)

The router table can be mounted onto a suitable workbench or workboard. Ensure the legs of the table are supported and do not overhang.

A recommended working height is 900mm from table top to floor.

Mounting No Volt Release Switch - (Fig. 7 & 7a)

The switch can be positioned at the front of the table or on the right hand side.



CAUTION: Ensure working position is comfortable and that the table is secured to a work bench. Ensure workbench is stable and secure.

Levelling the Insert Plate - (Fig. 8)

The insert plate can be levelled to the table top by adjusting the seven set screws with the hex key.

Fitting Insert Rings - (Fig. 9, 9a & 9b)



WARNING: Always ensure insert rings are a tight fit in the insert plate. Replace damaged or loose rings immediately.

Back Fence Assembly - (Fig. 10)

Fitting Back Fence - (Fig. 10a)

Assembling Mitre Fence - (Fig. 11)

**Fitting Top Guard & Top Pressure
- (Fig. 12, 12a, 12b, 12c & 12d)**

Fitting Side Pressure - (Fig. 13 & 13a)

Fitting Mitre Fence - (Fig. 14)

Fitting Pushstick Park - (Fig. 15)

**Fitting Cable Management Clips
- (Fig. 16)**



OPERATION

 **No-Volt Release Switch - (Fig. 17)**

- Plug machine into socket.
- Put plug of switch into mains supply.
- Switch on router.
- Press green button to switch on. To switch off press red button.


 **WARNING: Isolate from power supply when making any adjustments.**

**Back Fence Adjustment
- (Fig. 18, 18a & 18b)**

- Adjust back fence position by loosening the two knobs (A) and pushing the fence forwards or backwards.
- Lock fence position by tightening the two knobs (A).

Pushstick Operation - (Fig. 19)

The pushstick has been designed for use with a router table, and should always be used when making any cut less than 300mm in length or, when feeding the last 300mm of a longer cut. The birds mouth is 90° and should be angled at between 20° to 30° to the workpiece to suit the height of the machinist.

 **CAUTION: Do not use the pushstick as a lever or for uses other than those envisaged.**



CAUTION: Compliance with the safety requirements of the regulations in force is nullified by any modification or tampering with the pushstick.

**Edge Moulding and Grooving
- (Fig. 20)**

- Isolate from power source.
- Fit cutter.
- Set back fence position.
- Set top and side pressures.
- Fit guard.
- Check all knobs are tight.
- Plug into power supply.
- Switch on.
- Feed right to left.
- Switch off.

Feed Direction - (Fig. 21, 21a & 21b)

- Always work with constant, medium rate. Feeding too slow will result in burn marks and excessive heat build up of the cutter.
- Good results will be obtained by removing small amounts of material in several passes.
- Always feed work in the opposite direction to the direction of rotation of the router cutter.

**Stopped Moulding
- (Fig. 22, 22a & 22b)**

- Isolate from power supply.
- Fit cutter.
- Set back fence position.
- Fit some stops to back fence using cramps.
- Fit guard.
- Check all knobs are tight.
- Plug into power supply.
- Switch on.
- Drop material against infeed stop A and pivot into cutter.
- Feed right to left, until reaching outfeed limit stop B.
- Pivot at outfeed stop.
- Switch off.

Mitre Fence - (Fig. 23)

- Isolate from power supply.
- Fit cutter.
- Adjust angle of mitre fence by loosening knob and turning protractor head to line up angle required with arrow.

- Place component onto mitre fence.
- Plug into power supply.
- Feed right to left holding component securely.
- Switch off.



NOTICE: The mitre fence has fixing holes to allow a splash block to be secured using screws (not supplied).

Lead-on Pin

- (Fig. 24, 24a, 24b & 24c)

- Isolate from power supply.
- Fit lead-on pin into threaded hole using a slotted screwdriver.
- Move back fence back.
- Fit self guided cutter.
- Fit top guard.
- Plug into power supply.
- Support component onto the lead-on pin and swing into cutter and contact bearing guide.
- Mould component. n Switch off.



WARNING: Guard removed for clarity. Ensure guard is fitted when using self guided cutters.



NOTICE: The lead-in pin can be stored in the pin park hole in the back fence when not in use.

Edge Planing

- (Fig. 25, 25a, 26 & 26a)

- The rods can be parked in the T-slots in the top of the back fence.
- The rods are held by tightening the knobs.
- After use of the table, keep assembled and store properly.

ACCESSORIES

Please use only Trend original spare parts and accessories.

Hose and Connector Ref. CRT/4

- (Fig. 27 & 27a)

The back fence is provided with an extraction point for connection to suitable vacuum extractors. The internal hole diameter is 57mm (2-1/4").

- Only a vacuum extractor unit recommended for use in the workshop should be used.

MAINTENANCE



- The router table has been designed to operate over a long period of time with a minimum of maintenance. Continual satisfactory operation depends upon proper tool care and regular cleaning.
- Replace the cutter insert when worn out.

Cleaning

- Keep the grooves clear of sawdust. Regularly clean the table with a soft cloth.
- The pushstick is made of thermoplastic material which is resistant to solvents, oils, greases and water. Do not use concentrated acids or alkalies for cleaning.

Lubrication

- Your router table requires no additional lubrication. Do not use PTFE spray on the plastic components of the table.

Storage

- When not in use the table should be stored safely. It is advisable to cover the table.
- The pushstick is provided with holes to store easily on the table.

ENVIRONMENTAL PROTECTION



Recycle raw materials instead of disposing as waste.

Accessories and packaging should be sorted for environmental-friendly recycling.



Separate collection. This product must not be disposed of with normal household waste.

Household User

Local regulations may provide for separate collection of electrical products from the household, at municipal waste sites or by retailer when you purchase a new product. Please call Trend Customer Services for advice as to how to dispose of unwanted Trend electrical products in an environmentally safe way or visit www.trend-uk.com

Business Users

Please call Trend Customer Services for disposal of unwanted Trend electrical products.

WARRANTY

This unit carries a manufacturer's warranty in accordance with the conditions on our website www.trend-uk.com

DE - CRT/MK3

Verehrter Kunde,

Vielen Dank, dass Sie sich für dieses Produkt von Trend entschieden haben. Bitte beachten Sie diese Bedienungsanleitung. Nur so wird eine dauerhafte Leistung sichergestellt.

 **ACHTUNG: Lesen Sie vor dem Gebrauch des Geräts die Anleitungen, Definitionen:**

Definitionen: Sicherheitsrichtlinien

Die folgenden Definitionen beschreiben den Schweregrad für jedes Signalwort. Bitte lesen Sie die Betriebsanleitung und achten Sie auf diese Symbole.

Die folgenden Symbole werden in dieser Betriebsanleitung durchgängig verwendet:

 **WARNUNG:**

Weist auf eine potenziell gefährliche Situation hin, die, wenn sie nicht vermieden wird, zum Tod oder zu schweren Verletzungen führen kann.

 **VORSICHT:**

Weist auf eine potenziell gefährliche Situation hin, die, wenn sie nicht vermieden wird, zu leichten oder mittelschweren Verletzungen führen kann.

HINWEIS: Weist auf eine Praxis hin, die **sich nicht auf Personenschäden bezieht** und die, wenn sie nicht vermieden wird, zu **Sachschäden** führen kann.


 Weist auf das Risiko eines Stromschlags hin.

 Weist auf eine Brandgefahr hin.

Zusätzlich verwendete Symbole



Persönliche Schutzausrüstung (PSA) tragen. Gehör-, Augen- und Atemschutz müssen getragen werden.

 Weist auf die Gefahr von Personenschäden, Tod oder Beschädigung des Werkzeugs bei Nichtbeachtung der Anweisungen in dieser Betriebsanleitung hin.



Siehe Betriebsanleitung Ihres Elektrowerkzeugs.

FRÄSTISCH CRT/MK3

TECHNISCHE DATEN

Spannung	GB und Irland Europa	V _{AC} V _{AC}	240/115 230
Ein / Aus Schalter			Keine Vollfreigabe
Maße	Breite x Tiefe	mm	610 x 405
Tischhöhe		mm	410
Fräserdurchmesser max. Fräserhöhe max.		mm mm	80 50
Schnitttiefeverlust durch Tisch Dicke		mm	6.35
Werkstückhöhe max.		mm	60
Werkstücklänge max. *		mm	590
Gewicht		kg	13.6

*Bei Verwendung eines Werkstückträgers.

Sicherungen		
UK & Eire	230V Werkzeuge	13 Ampere, im Stecker
UK & Eire	115V Werkzeuge	16 Ampere, im Netz
Europa	230V Werkzeuge	16 Ampere, im Netz

VERWENDUNGSZWECK

Das Gerät ist für den stationären Betrieb von tragbaren Oberfräsen für das Bearbeiten von Holz oder Holzwerkstoffen vorgesehen, wenn ein geeigneter Fräser eingebaut ist.

Er ist nicht für die kontinuierliche Produktion oder den Einsatz in einer Produktionslinie vorgesehen.

Dieser Frästisch ist ein professionelles Produkt.

NICHT unter nassen Bedingungen oder in der Nähe von brennbaren Flüssigkeiten oder Gasen verwenden.

Lassen Sie Kinder **NIEMALS** mit diesem Gerät in Kontakt kommen. Beaufsichtigen Sie unerfahrene Bediener, wenn diese das Gerät verwenden.

Dieses Produkt ist nicht zur Verwendung durch Personen (einschließlich Kinder) bestimmt, die unter verminderten körperlichen, sensorischen oder geistigen Fähigkeiten leiden; es ihnen an Erfahrung, Wissen oder Fähigkeiten fehlt, es sei denn, sie werden von einer für ihre Sicherheit verantwortlichen Person beaufsichtigt. Kinder sollten mit diesem Produkt niemals allein gelassen werden.




EN 60745-1:2009 + A11:2010 Annex M & EN 60745-2-17:2010 Annex M

Sicherheit von Arbeitstischen für den Betrieb mit handgeführten motorbetriebenen Elektrowerkzeugen.

Anhang M gilt für Arbeitstische (Frästische) mit oder ohne Netzversorgung, die in Kombination mit handgeführten Elektrowerkzeugen verwendet werden sollen, aber nicht für die kontinuierliche Produktion oder den Einsatz in einer Fertigungsstraße bestimmt sind.

ALLGEMEINE SICHERHEITSREGELN FÜR ARBEITSTISCHE (FRÄSTISCHE)

 **WARNUNG! Lesen Sie alle Anweisungen sorgfältig durch. Die Nichtbeachtung aller unten aufgeführten Anweisungen kann zu Stromschlag, Feuer und/oder schweren Verletzungen führen. Der Begriff „Fräser“ in allen unten aufgeführten Warnhinweisen bezieht sich auf Ihr netzbetriebenes (kabelgebundenes) oder batteriebetriebenes (schnurloses) Fräs Werkzeug.**

Beachten Sie die Sicherheitsbestimmungen in der Betriebsanleitung des zu verwendenden Elektrowerkzeugs.

BEWAHREN SIE DIESE ANWEISUNGEN AUF

1. Allgemeine Sicherheit von Frästischen (Anhang M)

- a) Trennen Sie immer den Stecker von der Stromquelle, bevor Sie Einstellungen vornehmen oder Zubehörteile austauschen. Das versehentliche Starten des Fräsers ist Ursache für einige Unfälle.
- b) Bauen Sie den Frästisch vor dem Einbau des Fräsers ordnungsgemäß zusammen. Eine ordnungsgemäße Montage ist wichtig, um die Gefahr eines instabilen Frästisches zu verhindern.
- c) Befestigen Sie den Fräser vor der Verwendung sicher auf dem Frästisch. Das Verschieben des Fräsers auf dem Frästisch kann zum Kontrollverlust des Fräsers führen.
- d) Stellen Sie den Frästisch auf eine feste, flache und ebene Oberfläche. Verschiebt oder kippt der Frästisch, kann der Fräser oder das Werkstück nicht stabil oder sicher geführt werden.
- e) Überlasten Sie den Frästisch nicht und benutzen Sie ihn nicht als Steighilfe oder Plattform. Überlastung oder das Stehen auf dem Frästisch führt dazu, dass der Tisch kopflastig wird und umkippt.
- f) Der Frästisch ist nur zur Verwendung mit den in der Betriebsanleitung aufgeführten Fräsern bestimmt. Der Frästisch darf nicht mit einem anderen Elektrowerkzeug verwendet werden. Das Einsetzen eines Werkzeugs, das nicht für einen Frästisch bestimmt ist, kann Verletzungen verursachen.

- g) Einlegeringe. Verwenden Sie die richtigen Fräsringe im Verhältnis zur Größe des Fräs Werkzeugs.
- h) Tragen Sie stets geeignete persönliche Schutzausrüstung. Dazu gehören Gehörschutz, um das Risiko eines induzierten Hörverlusts zu verringern; Atemschutz, um das Risiko des Einatmens von schädlichem Staub zu reduzieren; Handschuhe, um mögliche Verletzungen beim Umgang mit Schneidwerk und rauem Material durch scharfe Kanten zu vermeiden; Schutzbrille, um Augenverletzungen durch umherfliegende Partikel zu vermeiden;
- i) Möglicher Kontakt des Schneidwerks mit der Hand und den Fingern des Bedieners. Stellen Sie sicher, dass die richtige Schutzvorrichtung angebracht und eingestellt ist, damit nicht benutzte Teile des Schneidwerkzeugs unzugänglich sind;
- j) Möglicher Rückschlag, eine unerwartet schnelle Reaktion auf unkontrollierte Führung kleiner Werkstücke entgegen der Vorschubrichtung. Verwenden Sie bei der Bearbeitung schmaler Werkstücke horizontale Spannvorrichtungen, um ein sicheres Arbeiten zu gewährleisten;
- k) Gefährliche Situation durch unkontrolliertes Anheben des Werkstücks.
- l) Bei der Bearbeitung von gebogenen Konturen muss das Werkstück in der richtigen Weise geführt werden, um Schnittverletzungen zu vermeiden. Verwenden Sie eine Eintrittsführung, ein Spann- und Schutzsystem, um einen sicheren Betrieb zu gewährleisten.
- m) Die unsachgemäße Verwendung von Schneidwerkzeugen, Werkstücken und Führungsvorrichtungen kann zu gefährlichen Situationen führen. Stellen Sie sicher, dass der Bediener das Werkstück richtig handhabt. Der Bediener muss die Werkstückklappen und Führungsvorrichtungen ordnungsgemäß verwenden, einstellen und bedienen. Der Bediener muss die korrekte Werkzeugauswahl sicherstellen.
- n) Nicht gewartete Werkzeuge können zu unkontrollierten Situationen führen. Verwenden Sie Schneidwerkzeuge, die gemäß den Anweisungen des Werkzeugherstellers geschärft, gewartet und eingestellt wurden;
- o) Möglicher Kontakt mit beweglichen Teilen. Schalten Sie das Gerät aus und trennen Sie den Stecker von der Stromquelle, wenn Sie Anpassungen oder Einstellungen vornehmen.
- p) Halten Sie während gerade geführten Arbeitsschritten die Hände fern. Verwenden Sie, wenn möglich, eine Spannvorrichtung in Verbindung mit einem Anschlag.
- q) Fehlende Anschlagpunkte können zu Rückschlägen führen. Verwenden Sie am Anschlag befestigte hintere und/oder vordere Anschlagpunkte, wenn Sie Arbeiten mit mehreren Arbeitsschritten ausführen.
- r) Montage des Fräsers. Montieren und sichern Sie den handgeführten Fräser ordnungsgemäß auf dem Frästisch.
- s) Möglicher Fehler der Werkzeugposition: Montieren Sie das Fräs Werkzeug korrekt an der Maschine und führen

Sie das Werkstück entgegen der Spindeldrehrichtung zu.

- t) Fräsgeschwindigkeit. Wählen Sie die richtige Geschwindigkeit entsprechend dem verwendeten Werkzeug und Material.
- u) Falsche Einstellung der Anschläge. Die Anschläge müssen im Verhältnis zu den verschiedenen Arbeiten angepasst werden. Ein Hilfsanschlag kann angefertigt und an den Anschlagwangen befestigt werden, um den Abstand zwischen Schneidwerkzeug und der Anschlagplatte zu minimieren.
- v) Größe des Werkstücks. Siehe Abschnitt „Technische Daten“ der Betriebsanleitung des Frästischs für die Werkstückabmessungen, für die der Frästisch ausgelegt ist. Bei größeren Längen ist eine Werkstückauflage erforderlich.
- w) Maximaler Fräserdurchmesser. Siehe Abschnitt „Technische Daten“ der Betriebsanleitung des Frästischs für den maximalen Fräserdurchmesser, für die der Frästisch ausgelegt ist.
- x) Bearbeitung von Holz. Verwenden Sie die richtige Größe der Staubsammeltülle und des Schlauchs für die Staubaustrittsöffnung des hinteren Anschlags.

2. Arbeitsbereich

- a) Halten Sie den Arbeitsbereich sauber und gut beleuchtet. Unübersichtliche und dunkle Bereiche können eine Unfallgefahr darstellen.
- b) Betreiben Sie den Fräser und den Frästisch nicht in explosionsgefährdeten Atmosphären, z. B. in Gegenwart von brennbaren Flüssigkeiten, Gasen oder Staub. Die Schalter des Fräasers und des Frästischs erzeugen Funken, die den Staub oder die Dämpfe entzünden können.
- c) Halten Sie Kinder und umstehende Personen fern, während Sie ein Elektrowerkzeug bedienen. Ablenkungen können dazu führen, dass Sie die Kontrolle über den Arbeitsgang verlieren.

3. Elektrische Sicherheit

- a) Die Netzstecker des Fräasers und des Frästischs müssen mit der Netzsteckdose übereinstimmen. Verändern Sie niemals den Netzstecker in irgendeiner Weise. Verwenden Sie keine Netzadapter mit geerdeten Elektrowerkzeugen. Unveränderte Netzstecker und passende Netzsteckdosen verringern das Risiko eines Stromschlags.
- b) Vermeiden Sie Körperkontakt mit geerdeten Oberflächen wie Rohren, Heizkörpern, Herden und Kühlschränken. Es besteht ein erhöhtes Risiko eines Stromschlags, wenn Ihr Körper geerdet ist.
- c) Setzen Sie den Fräser oder den Frästisch niemals Regen noch Nässe aus. Wasser, das in einen Schalter am Fräser oder Frästisch eindringt, erhöht das Risiko eines Stromschlags.
- d) Verwenden Sie das Kabel für keine anderen Zwecke. Verwenden Sie das Kabel niemals zum Tragen, Ziehen oder Herausziehen des Fräasers oder den Schalter am Frästisch. Kabel vor Hitze, Öl, scharfen Kanten oder beweglichen Teilen schützen. Beschädigte oder verworrene Kabel erhöhen das Risiko eines Stromschlags.
- e) Wenn Sie einen Fräser oder Frästisch im Freien betreiben, verwenden Sie ein für den Außeneinsatz

geeignetes Verlängerungskabel. Die Verwendung eines geeigneten Kabels für den Außeneinsatz verringert das Risiko eines Stromschlags.

4. Persönliche Sicherheit

- a) Bleiben Sie wachsam, achten Sie auf das, was Sie tun, und nutzen Sie Ihren gesunden Menschenverstand, wenn Sie mit einem Fräser oder einem Frästisch arbeiten. Bedienen Sie keine Werkzeuge, wenn Sie müde sind oder unter dem Einfluss von Drogen, Medikamenten oder Alkohol stehen. Ein Moment der Unachtsamkeit während der Arbeit mit einem Fräser oder Frästisch kann zu schweren Verletzungen führen.
 - b) Sicherheitsausrüstung verwenden. Tragen Sie immer eine Schutzbrille. Sicherheitsausrüstung wie Staubmaske, rutschfeste Sicherheitsschuhe, Schutzhelm oder Gehörschutz, die unter angemessenen Bedingungen verwendet werden, verringern Personenschäden.
 - c) Vermeiden Sie versehentliches Starten. Stellen Sie sicher, dass sich der Schalter in der Aus-Stellung befindet, bevor Sie den Netzstecker einstecken. Das Tragen von Fräsen mit dem Finger auf dem Schalter oder das Einstecken von Fräsen, bei denen der Schalter eingeschaltet ist, kann zu Unfällen führen.
 - d) Entfernen Sie alle Einstellschlüssel oder Schraubenschlüssel, bevor Sie den Fräser oder den Frästisch einschalten. Ein Schraubenschlüssel oder ein Schlüssel, der an einem rotierenden Teil des Fräasers befestigt ist, kann zu Verletzungen führen.
 - e) Überstrecken Sie sich bei Arbeiten mit dem Fräser nicht. Achten Sie immer auf einen guten Stand und das Gleichgewicht. Dies ermöglicht eine bessere Kontrolle des Werkstücks in unerwarteten Situationen.
 - f) Tragen Sie entsprechende Arbeitskleidung. Tragen Sie keine lose Kleidung oder Schmuck. Halten Sie Haare, Kleidung und Handschuhe von beweglichen Teilen fern. Lose Kleidung, Schmuck oder lange Haare können sich in beweglichen Teilen verfangen.
 - g) Schließen Sie den Frästisch an eine Staubabsaugvorrichtung an. Die Verwendung dieser Geräte kann staubbedingte Gefahren reduzieren.
- ## **5. Verwendung und Pflege von Fräsern und Frästischen**
- a) Arbeiten Sie nicht gewaltsam mit dem Fräser. Verwenden Sie den richtigen Fräser für Ihre Anwendung. Ein Fräser, der für die entsprechende Aufgabe entwickelt wurde, wird diese besser und sicherer durchführen.
 - b) Verwenden Sie den Fräser oder Frästisch nicht, wenn er sich nicht über den Netzschalter ein- oder ausschalten lässt. Jeder Fräser, der nicht über den Schalter ein- oder ausgeschaltet werden kann, stellt eine Gefahr dar und muss repariert werden.
 - c) Ziehen Sie den Netzstecker von der Stromquelle ab, bevor Sie Einstellungen vornehmen, Zubehörteile austauschen oder den Fräser und den Frästisch aufbewahren. Solche präventiven Sicherheitsmaßnahmen verringern das Risiko eines versehentlichen Starts des Elektrowerkzeugs.
 - d) Bewahren Sie ungenutzte Fräser oder Frästische

außerhalb der Reichweite von Kindern auf und verweigern Sie Personen, die mit dem Fräser oder dem Frästisch oder diesen Anweisungen nicht vertraut sind, die Nutzung des Werkzeugs. Fräser und Frästische sind in den Händen ungeschulter Benutzer gefährlich.

e) Warten des Fräser oder Frästischs. Prüfen Sie die beweglichen Teile auf Fehlausrichtung oder festen Sitz, beschädigte Teile und alle anderen Bedingungen, die den Betrieb der Werkzeuge beeinträchtigen können. Falls beschädigt, lassen Sie den Fräser oder den Frästisch vor der Verwendung reparieren. Viele Unfälle werden durch schlecht gewartete Elektrowerkzeuge verursacht.

f) Halten Sie die Schneidwerkzeuge scharf und sauber. Ordnungsgemäß gewartete Schneidwerkzeuge mit scharfen Schneidkanten fressen sich weniger leicht fest und sind leichter zu kontrollieren.

g) Verwenden Sie den Fräser, den Frästisch, das Zubehör und die Werkzeuge usw. in Übereinstimmung mit diesen Anweisungen und in der für den jeweiligen Fräser typ vorgesehenen Weise unter Berücksichtigung der Arbeitsbedingungen und der auszuführenden Arbeiten. Die Verwendung des Fräasers oder des Frästischs für andere als die vorgesehene Nutzung könnte zu einer gefährlichen Situation führen.



ELEKTRISCHE SICHERHEIT

Stromversorgung



WARNUNG: Ziehen Sie vor Wartungsarbeiten den Netzstecker aus der Netzsteckdose.

Verwendung eines Verlängerungskabels

- Wenn ein Verlängerungskabel erforderlich ist, verwenden Sie ein zugelassenes dreidriges Verlängerungskabel, das für die Stromlast dieses Geräts geeignet ist (siehe technische Daten). Der minimale Leiterquerschnitt beträgt 1,5 mm².
- Wenn Sie eine Kabeltrommel verwenden, wickeln Sie das Kabel immer vollständig ab.
- Beachten Sie auch die unten stehende Tabelle.

Leitergröße (mm ²)	Nennstromstärke des Kabels (Amperes)
0.75	6
1.00	10
1.50	15
2.50	20
4.00	25

Kabellänge (m)							
		7.5	15	25	30	45	60
Spannung (Ampere)	Ampere	Nennstromstärke					
230	0 - 2.0	6	6	6	6	6	6
	2.1 - 3.4	6	6	6	6	6	6
	3.5 - 5.0	6	6	6	6	10	15
	5.1 - 7.0	10	10	10	10	15	15
	7.1 - 12.0	15	15	15	15	20	20
	12.1 - 20.0	20	20	20	20	25	-

RESTRISIKEN

Trotz der Anwendung der relevanten Sicherheitsvorschriften und Umsetzung von Sicherheitsvorrichtungen können bestimmte Restrisiken nicht sein vermieden.

Diese sind:

- Schwerhörigkeit.
- Verletzungsgefahr durch fliegende Partikel.
- Verbrennungsgefahr durch Zubehör heiß während des Betriebs.
- Verletzungsgefahr bei längerem Gebrauch.

MARKIERUNGEN AUF DEM TISCH

Die folgenden Abbildungen sind auf dem Werkzeug dargestellt.



Betriebsanleitung vor Gebrauch lesen.

Position Datumcode

Das Baujahr ist auf einem Etikett neben dem Typenschild angegeben.

IM LIEFERUMFANG ENTHALTENE ARTIKEL

- 1 x Tischplatte
- 4 x Tischbeine und Befestigungsschrauben
- 4 x Beinschienen
- 1 x Hinterer Anschlag und Maßband
- 2 x Anschlagwangen
- 4 x Arretierknöpfe Anschlagwangen
- 1 x Oberer Schutz, Niederhalter und Arretierknopf
- 1 x Staubstutzen und Befestigungsschrauben
- 2 x Arretierknöpfe und -bolzen für hinteren Anschlag
- 1 x Seitenhalterung und Arretierknopf
- 2 x Kantenfrässtäbe

- 2 x Arretierknopf für Kantenfrässtäbe
- 16 x Befestigungsschrauben und -mutter für Beinschienen
- 1 x Einlegeplatte und Befestigungsschrauben
- 1 x Freigabeschalter bei Spannungsfreiheit und Befestigungsschrauben
- 1 x Gehrungsanschlag
- 6 x Einlegeringe
- 1 x Führungsstift
- 1 x Schiebestock und Befestigungsschrauben für Schiebstock-Halterung
- 2 x Tischplattenskalen (montiert)
- 4 x Tischbefestigungsklammern und Schrauben
- 2 x Kabelführungsclips und Schrauben
- 1 x Schraubenschlüssel 10 mm SW
- 1 x Innensechskantschlüssel 3 mm SW
- 1 x Befestigungsschraubenpaket für Fräse
- 1 x Anleitungen
- 1 x Garantiekarte

BESCHREIBUNG DER TEILE - (Fig. 1)

- A.** Tischbeine
- B.** Einlegeplatte
- C.** Tischplatte
- D.** Hinterer Anschlag
- E.** Anschlagwange
- F.** Niederhalter
- G.** Oberer Schutz
- H.** Führungsstift
- I.** Gehrungsanschlag
- J.** Schalter
- K.** Schiebestock
- L.** Einlegeringe
- M.** Tischplattenskalen
- N.** Seitenhalterung
- O.** Staubstutzen
- P.** Tischbefestigung
- Q.** Ablage Führungsstift
- R.** Schraubenschlüssel
- S.** Innensechskantschlüssel 3 mm SW
- T.** Kantenfrässtab
- U.** Arretierknopf für Kantenfrässtab
- V.** Skala hinterer Anschlag
- W.** Kabelführungsclips
- X.** Beinschienen lang
- Y.** Beinschienen kurz
- Z.** Befestigungsschraubenpaket für Fräse

ERFORDERLICHE ARTIKEL

- Kreuzschlitzschraubendreher Gr. 2
- Fräser.
- Handwerkzeuge.
- Selbstgebauter Tisch.
- Schraubenschlüssel 8 mm SW für Gehrungsanschlag.
- Schlitzschraubendreher für Führungsstift.

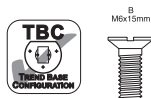
MONTAGE

Montage von Tisch und Gestell - (Fig. 2)

Gestellbaugruppe - (Fig. 3)

Montage auf der Werkbank - (Fig. 4)

Kompatibilität mit anderen Fräsen



Machen	Router-Modell	Schraube x Menge
TREND	T3, T4, T5	B X 2
TREND	T10, T11, T12, T14	B X 3
CMT	CMT1E	B X 3
DEWALT	DW613, 614, 615	B X 2
DEWALT	DW624, 625E, DWE625, 627E	B X 3
ELU	MOF96(E) MK2	B X 2
ELU	MOF131, 177 (E) MK2	B X 3
PERLES	OF808(E) > 1999	B X 2


Montage des Fräasers an der Einlegeplatte - (Fig. 5)

Montage des Tisches an Werkbank oder Arbeitsplatte - (Fig. 6 & 6a)

Der Frästisch kann auf einer geeigneten Werkbank oder Arbeitsplatte montiert werden. Stellen Sie sicher, dass die Beine des Tisches abgestützt sind und nicht überhängen. Eine empfohlene Arbeitshöhe beträgt 90 cm von der Tischplatte bis zum Boden.

**Freigabeschalter bei
Spannungsfreiheit montieren**
- (Fig. 7 & 7a)

Der Schalter kann an der Vorderseite des Tisches oder an der rechten Seite positioniert werden.

 **VORSICHT:** Stellen Sie sicher, dass die Arbeitshaltung bequem ist und dass der Tisch an einer Werkbank befestigt ist. Stellen Sie sicher, dass die Werkbank stabil und sicher ist.

Nivellierung der Einlegeplatte - (Fig. 8)
Die Einlegeplatte kann durch Einstellen der sieben Stellschrauben mit dem Sechskantschlüssel auf die Tischplatte nivelliert werden.

Montierte Einlegeringe
- (Fig. 9, 9a, 9b)

 **WARNUNG:** Stellen Sie immer sicher, dass die Einlegeringe fest in der Einlegeplatte sitzen. Ersetzen Sie beschädigte oder lose Ringe sofort.

Hinterer Anschlag - (Fig. 10)

Hinteren Anschlag montieren
- (Fig. 10a)

Gehrungsanschlag zusammenbauen
- (Fig. 11)

Oberer Schutz und Niederhalter montieren
- (Fig. 12, 12a, 12b, 12c & 12d)

Seitenhalter montieren
- (Fig. 13 & 13a)

Gehrungsanschlag montieren
- (Fig. 14)

Schiebestock-Halterung montieren
- (Fig. 15)

Kabelführungsclips montieren
- (Fig. 16)

BETRIEB



 **Freigabeschalter bei
Spannungsfreiheit - (Fig. 17)**

- Stecken Sie den Netzstecker der Maschine in die Netzsteckdose ein.
- Stecken Sie den Netzstecker des Schalters in die Stromversorgung.
- Schalten Sie den Fräser ein.
- Zum Einschalten grüne Taste betätigen. Zum Ausschalten rote Taste betätigen.

 **WARNUNG:** Trennen Sie den Fräser von der Stromversorgung, bevor Sie Einstellungen vornehmen.


Einstellen des hinteren Anschlags
- (Fig. 18, 18a & 18b)

- Stellen Sie die Position des hinteren Anschlags ein, indem Sie die beiden Arretierknöpfe (A) lösen und den Anschlag nach vorne oder hinten schieben.
- Sichern Sie die Position des Anschlags durch Festziehen der beiden Arretierknöpfe (A).

Verwendung des Schiebestocks
- (Fig. 19)

Der Schiebestock wurde für die Verwendung mit einem Frästisch entwickelt und sollte immer verwendet werden, wenn ein Schnitt von weniger als 300 mm Länge ausgeführt wird oder wenn die letzten 300 mm eines längeren Schnitts vorgeschoben werden. Das Auflagestück hat einen Winkel von 90° und sollte in einem Winkel von 20° bis 30° zum Werkstück aufgelegt werden, um der Körpergröße des Bedieners zu entsprechen.

 **VORSICHT:** Verwenden Sie den Schiebestock nicht als Hebel oder für andere als die vorgesehenen Zwecke.

 **VORSICHT:** Die Einhaltung der Sicherheitsanforderungen der geltenden Vorschriften ist durch jede Änderung oder Manipulation am Schiebestock nicht mehr gegeben.

Kantenformen und Nuten - (Fig. 20)

- Von der Stromversorgung trennen.
- Fräser montieren.
- Anschlagposition zurücksetzen.
- Niederhalter und Seitendruck einstellen.
- Schutz anbringen.
- Prüfen Sie, dass alle Arretierknöpfe fest angezogen sind.
- Netzstecker einstecken.
- Einschalten.
- Vorschub von rechts nach links.
- Ausschalten.

Vorschubrichtung - (Fig. 21, 21a & 21b)

- Immer mit konstanter, mittlerer Geschwindigkeit arbeiten. Ein zu langsamer Vorschub führt zu Brandflecken und übermäßigem Hitzestau des Schneidwerkzeugs.
- Gute Ergebnisse werden erzielt, wenn kleine Materialmengen in mehreren Durchgängen entfernt werden.
- Führen Sie die Arbeit immer entgegengesetzt zur Drehrichtung der Oberfräser zu.

Formgebung mit Stopps - (Fig. 22, 22a & 22b)

- Von der Stromversorgung trennen.
- Fräser montieren.
- Anschlagposition zurücksetzen.
- Befestigen Sie einige Anschläge mit Klemmen am hinteren Anschlag.
- Schutz anbringen.
- Prüfen Sie, dass alle Arretierknöpfe fest angezogen sind.
- Netzstecker einstecken.
- Einschalten.
- Legen Sie das Werkstück gegen den Einzugsanschlag A und schwenken Sie es in die Fräse.
- Vorschub von rechts nach links, bis Auslaufanschlag B erreicht ist.
- Am Auslaufanschlag herauschwenken.
- Ausschalten.

Gehrungsanschlag - (Fig. 23)

- Von der Stromversorgung trennen.
- Fräser montieren.
- Den Winkel des Gehrungsanschlags durch Lösen des Arretierknopfs und Drehen des Winkelmesserkopfes so einstellen, dass der gewünschte Winkel mit dem Pfeil übereinstimmt.

- Bauteil auf Gehrungsanschlag legen.
- Netzstecker einstecken.
- Führen Sie das Werkstück von rechts nach links und halten Sie es sicher fest.
- Ausschalten.



HINWEIS: Der Gehrungsanschlag hat Befestigungslöcher für die Befestigung einer Opferleiste mit Schrauben (nicht mitgeliefert).

Führungsstift - (Fig. 24, 24a, 24b & 24c)

- Von der Stromversorgung trennen.
- Führungsstift mit einem Schlitzschraubendreher in das Gewindeloch einsetzen.
- Hinteren Anschlag zurückschieben.
- Selbstgeführtes Fräs Werkzeug montieren.
- Oberen Schutz anbringen.
- Netzstecker einstecken.
- Werkstück am Führungsstift ansetzen und in Fräser und Kontaktlagerführung einschwenken.
- Formstück. n Ausschalten.



WARNUNG: Schutz zur besseren Ansicht entfernt. Stellen Sie sicher, dass die Schutzvorrichtung angebracht ist, wenn Sie einen selbstgeführten Fräser verwenden.



HINWEIS: Der Führungsstift kann in der Ablage im hinteren Anschlag aufbewahrt werden, wenn er nicht verwendet wird.

Kantenfräsen - (Fig. 25, 25a, 26 & 26a)

- Die Stäbe können in den T-Nuten im oberen Bereich des hinteren Anschlages abgelegt werden.
- Die Stäbe werden durch Festziehen der Arretierknöpfe gehalten.
- Lassen Sie nach dem Gebrauch des Frästischs diesen im zusammengebauten Zustand und bewahren Sie ihn ordnungsgemäß auf.

ZUBEHÖR

Bitte verwenden Sie nur Original-Ersatzteile und Zubehör von Trend.

Schlauch und Anschlussstück

Ref. CRT/4 - (Fig. 27 & 27a)

Der hintere Anschlag ist mit einer Absaugstelle zum Anschluss an eine geeignete Absaugeinrichtung versehen. Der innere Lochdurchmesser beträgt 57 mm (2-1/4").

- Es sollte nur eine für den Einsatz in der Werkstatt empfohlene Absaugeinrichtung verwendet werden



WARTUNG

Der Frästmisch ist so konzipiert, dass er über einen langen Zeitraum mit minimalem Wartungsaufwand verwendet werden kann. Ein dauerhaft zufriedenstellender Betrieb hängt von der richtigen Pflege und der regelmäßigen Reinigung ab.

- Tauschen Sie den Schneideinsatz aus, wenn er verschlissen ist.

Reinigung

- Halten Sie die Nuten und Rillen frei von Sägestaub. Den Frästmisch regelmäßig mit einem weichen Tuch reinigen.
- Der Schiebstock besteht aus thermoplastischem Material, das gegen Lösungsmittel, Öle, Fette und Wasser beständig ist. Verwenden Sie zur Reinigung keine konzentrierten Säuren oder Laugen.

Schmierung

- Ihr Frästmisch benötigt keine zusätzliche Schmierung. Verwenden Sie kein PTFE-Spray für die Kunststoffteile des Tisches.

Lagerung

- Wenn der Tisch nicht in Gebrauch ist, sollte er sicher aufbewahrt werden. Es wird empfohlen, den Tisch abzudecken.
- Der Schiebstock ist mit Löchern versehen, um ihn leicht auf dem Tisch verstauen zu können.

UMWELTSCHUTZ



Recyceln Sie Rohmaterialien, anstatt sie als Müll zu entsorgen.

Zubehör und Verpackung sollten für ein umweltfreundliches Recycling sortiert werden.



Separate Sammlung. Dieses Produkt darf nicht mit dem normalen Hausabfall entsorgt werden.

Private Benutzer

Regionale Vorschriften können die getrennte Sammlung von Elektroprodukten verlangen. Diese Geräte müssen bei städtischen Deponien entsorgt oder beim Kauf eines neuen Produkts zu dem Fachhändler zurückgebracht werden. Rufen Sie den Kundendienst von Trend an, um Rat in Bezug auf die Entsorgung von elektrischen Trend Produkten auf umweltgerechte Weise zu erhalten, oder besuchen Sie www.trend-uk.com

Gewerbliche Benutzer

Rufen Sie für die Entsorgung von elektrischen Trend Produkten den Kundendienst von Trend an.

GARANTIE

Dieses Gerät wird mit einer Herstellergarantie geliefert. Weitere Informationen finden Sie auf der Website www.trend-uk.com

FR - CRT/MK3

Cher Client, Merci d'avoir acheté ce produit Trend. Si vous l'utilisez conformément aux présentes instructions, il fonctionnera durablement.



ATTENTION: Lisez les consignes avant d'utiliser l'appareil.

Définitions : Directives de sécurité

Les définitions ci-dessous décrivent le niveau de gravité de chaque terme d'avertissement. Veuillez lire le manuel et prêter attention à ces symboles.

Les symboles suivants sont utilisés dans tout ce manuel :



AVERTISSEMENT:

Signale une situation potentiellement dangereuse qui si elle n'est pas évitée, pourrait conduire à des blessures graves voire mortelles.



ATTENTION:

Indique une situation potentiellement dangereuse qui si elle n'est pas évitée, peut conduire à des blessures mineures à modérées.

AVIS: Indique une pratique **non associée** à des **blessures** qui si elle n'est pas évitée, **peut** conduire à des **dommages aux biens**.



Signale un risque d'électrocution.



Signale un risque d'incendie.

Autres symboles utilisés



Porter les équipements de protection individuelle (EPI). Les protections auditives, oculaires et respiratoires doivent être portées.



Signale un risque de blessure, de perte de la vie ou de dommages à l'outil en cas de non-respect des instructions de ce manuel.



Consultez le manuel d'instructions de votre outil à moteur.

TABLE POUR DÉFONCEUSE CRT/MK3

CARACTÉRISTIQUES TECHNIQUES

Tension	Royaume-Uni et Irlande Europe	V _{AC}	240/115
		V _{AC}	230
Bouton ON / OFF			Déclenchement sans volt
Dimensions	Largeur x profondeur	mm	610 x 405
Hauteur de la table		mm	410
Diamètre de la fraise max.		mm	80
Hauteur de coupe max.		mm	50
Perte de profondeur de coupe due à la table épaisseur		mm	6.35
Hauteur de la pièce max.		mm	60
Longueur de la pièce max. *		mm	590
Poids		kg	13.6

*Sauf utilisation d'un support de pièce de travail

Fusibles		
Royaume-Uni et Irlande	Outils 230V	13 Ampères, dans la fiche
Royaume-Uni et Irlande	Outils 115V	16 Ampères, secteur
Europe	Outils 230V	16 Ampères, secteur

USAGE PRÉVU

L'appareil est prévu pour l'utilisation fixe de défonceuses portables, pour la découpe de bois ou de matériau à base de bois avec montage d'une fraise appropriée.

L'appareil n'est pas destiné à une production continue ni à une utilisation sur une chaîne de production.

Cette table pour défonceuse est un produit professionnel.

NE PAS utiliser en présence d'humidité, de liquides ou gaz inflammables.

NE PAS laisser les enfants entrer en contact avec cet appareil. Une supervision est indispensable en cas d'utilisation de cet appareil par des opérateurs inexpérimentés.

Ce produit n'est pas destiné à être utilisé par des personnes (y compris les enfants) aux capacités physiques, sensorielles ou mentales diminuées ; manquant d'expérience, de connaissances ou de compétences, sauf sous la supervision d'une personne responsable de leur sécurité. Les enfants ne doivent jamais être laissés seuls avec ce produit.



EN 60745-1:2009 + A11:2010 Annex M & EN 60745-2-17:2010 Annex M

Sécurité des supports de travail pour utilisation avec des outils électriques à main.

L'Annexe M s'applique aux supports de travail (table pour défonceuse) avec ou sans alimentation secteur, et destinés à être utilisés avec des outils électriques à main, mais non destinés à une production continue ou sur chaîne.

RÈGLES DE SÉCURITÉ GÉNÉRALES CONCERNANT LE SUPPORT DE TRAVAIL (TABLE POUR DÉFONCEUSE)



AVERTISSEMENT! Lisez toutes les instructions. Le non-respect de toutes les instructions mentionnées ci-dessous peut conduire à un choc électrique, à un incendie ou des blessures graves. Le terme "défonceuse" dans tous les avertissements ci-dessous désigne votre défonceuse à moteur sur secteur (filaire) ou sur batterie (sans fil).

Respectez les règlements de sécurité mentionnés dans le manuel d'instructions de la défonceuse à utiliser.

CONSERVEZ CES INSTRUCTIONS

1. Sécurité générale de la table pour défonceuse (Annexe M)

a) Débranchez la fiche de la source d'alimentation avant tout réglage ou changement d'accessoires. Le démarrage accidentel de la défonceuse est une cause de certains accidents.

b) Montez correctement la table pour défonceuse avant d'y fixer la défonceuse. Un montage correct est important pour éviter les risques d'écroulement.

c) Fixez correctement la défonceuse à la table avant utilisation. Le décalage de la défonceuse sur la table peut causer une perte de contrôle.

d) Placez la table pour défonceuse sur une surface résistante, plane et de niveau. Quand la table pour défonceuse peut glisser ou basculer, il n'est pas possible de maintenir fixe ou en sécurité la défonceuse ou la pièce de travail.

e) Ne surchargez pas la table pour défonceuse, et ne l'utilisez pas comme échelle ni échafaudage. La surcharge ou la montée sur la table de défonceuse peut déplacer vers le haut son centre de gravité et augmenter son risque de basculement.

f) La table pour défonceuse est destinée à être utilisée seulement avec les défonceuses mentionnées dans le manuel. La table pour défonceuse ne doit pas être utilisée avec tout autre outil à moteur. L'adaptation d'un outil non destiné à une table de défonceuse peut causer des blessures.

g) Bagues d'insert. Utilisez les bagues correctes pour la table en fonction de la dimension de l'outil de coupe.

h) Portez toujours les équipements de protection individuelle adaptés. Ceci inclut notamment les protections auditives pour réduire les risques de perte d'audition ; la protection respiratoire pour réduire le risque d'inhalation de poussières nocives ; les gants pour éviter des blessures possibles lors de la manutention des blocs-couteaux et matériaux bruts à bords coupants ; des lunettes de sécurité pour éviter les blessures aux yeux causés par les projections de particules ;

i) Contact possible du bloc-couteaux avec les mains et les doigts de l'opérateur. Assurez-vous d'avoir posé un protecteur correct et réglé pour éviter la possibilité d'accès aux parties de l'outil de coupe qui ne sont pas utilisées ;

j) Possibilité de retour, réaction rapide inattendue à un guidage non contrôlé de petites pièces de travail dans le sens opposé à l'avancement. Utilisez des systèmes d'appui horizontal pour travailler sur des pièces étroites et assurer la sécurité du travail ;

k) Situation dangereuse due à un relevage non contrôlé de la pièce de travail.

l) Pour des travaux courbes, il est indispensable de guider correctement la pièce de travail pour éviter les blessures par coupure. Utilisez une broche d'amorce, un système d'appui supérieur et de protection pour assurer la sécurité d'utilisation.

m) L'utilisation incorrecte d'outils de coupe, de pièces de travail et de systèmes de guidage peut conduire à une situation dangereuse. Assurez-vous que l'opérateur manipule correctement la pièce de travail. L'opérateur doit utiliser, régler et actionner correctement les serrés-joints et systèmes de guidage de la pièce de travail. L'opérateur doit s'assurer d'un choix correct d'outil.

n) Les outils mal entretenus peuvent provoquer des situations non contrôlées. Utilisez des outils de coupe affûtés, entretenus et réglés conformément aux instructions du fabricant ;

o) Contact possible avec des pièces mobile. Arrêtez la machine et retirez la prise pour le changement ou le réglage d'outil.

p) Gardez les mains à l'écart pendant le travail. Utilisez si possible un système d'appui associé au guide.

q) Des butées manquantes peuvent causer un retour. Utilisez les butées arrière et/ou avant fixées au guide pour des travaux sur distance limitée.

r) Fixation de la défonceuse. Montez et fixez la défonceuse à main correctement sur la table.

s) Erreur possible sur la position de l'outil : Fixez la fraise correctement sur la machine et faites avancer la pièce de travail à l'opposé de la rotation de la broche.

t) Vitesse de fraise. Sélectionnez la vitesse correcte correspondant à l'outil et au matériau utilisés.

u) Réglage incorrect des guides. Les guides doivent être réglés en fonction des différents travaux. Il est possible de fabriquer un faux guide pour le fixer aux joues du guide, de façon à réduire l'intervalle entre l'outil de coupe et la plaque du guide.

v) Dimension de la pièce de travail. Consultez la section Caractéristiques techniques du manuel de la table pour connaître les dimensions de pièces de travail pour laquelle le support est conçu. Pour des longueurs supérieures, un support de la pièce de travail est indispensable.

w) Diamètre maximal de l'outil de coupe. Consultez la section Caractéristiques techniques du manuel de la table pour défonceuse pour connaître le diamètre maximal de l'outil de coupe pour lequel le support de travail est recommandé.

x) Pour l'usinage de bois. Utilisez l'embout et le tuyau d'aspiration de poussière de dimension correcte adaptés à l'ouverture à l'arrière du guide.

2. Zone de travail

a) Maintenez la zone de travail propre et bien éclairée. Les espaces encombrés et sombres favorisent les accidents.

b) N'actionnez pas la défonceuse et sa table dans des atmosphères explosives, par exemple en présence de liquides, gaz ou poussières inflammables. Les interrupteurs de défonceuse et de table créent des étincelles qui pourraient enflammer les poussières ou les fumées.

c) Maintenez les enfants et les spectateurs à l'écart pendant l'utilisation de l'outil à moteur. Les distractions peuvent vous conduire à perdre le contrôle.

3. Sécurité électrique

a) Les fiches des interrupteurs de la défonceuse et de la table doivent correspondre aux prises. Ne modifiez jamais la fiche de quelque façon que ce soit. N'utilisez pas d'adaptateur avec les outils à moteur mis à la terre. Les fiches non modifiées sur des prises correspondantes réduisent le risque d'électrocution.

b) Évitez tout contact du corps avec des surfaces mises à la terre telles que canalisations, radiateurs, fourneaux et réfrigérateurs. Le risque d'électrocution est augmenté quand votre corps est mis à la terre.

c) N'exposez pas la défonceuse ni sa table à la pluie ou à l'humidité. La pénétration d'eau dans un interrupteur de défonceuse ou de table augmente le risque d'électrocution.

d) Ne maltraitez pas le cordon. N'utilisez jamais le cordon pour transporter, tirer ou débrancher la défonceuse ou l'interrupteur de la table. Maintenez le cordon à l'écart de la chaleur, de l'huile, des bords coupants ou des pièces mobiles. Les cordons endommagés ou emmêlés augmentent le risque d'électrocution.

e) Pour utiliser une défonceuse et sa table à l'extérieur, utilisez une rallonge conçue pour l'utilisation en extérieur. L'utilisation d'une rallonge conçue pour l'extérieur réduit le risque d'électrocution.

4. Sécurité des personnes

a) Restez attentif, surveillez ce que vous faites et faites preuve de bon sens pour utiliser une défonceuse et sa table. Ne les utilisez pas quand vous êtes fatigué ou sous l'influence de drogues, d'alcool ou de médicaments.

Un moment d'inattention pendant l'utilisation de la défonceuse et de sa table peut conduire à des blessures graves.

b) Utilisez les équipements de sécurité. Portez toujours une protection oculaire. Les équipements de sécurité tels que masque antipoussière, chaussures de sécurité antidérapantes, casque ou protections auditives utilisés dans les conditions appropriées réduisent les risques de blessure.

c) Évitez le démarrage accidentel. Assurez-vous que l'interrupteur est en position d'arrêt avant de brancher la machine. Le transport de la défonceuse avec le doigt sur l'interrupteur ou le branchement de la défonceuse avec l'interrupteur actionné favorise les accidents.

d) Retirez les clés ou outils de réglage avant de démarrer la défonceuse et la table. Une clé ou outil de réglage fixé à une pièce tournante de la défonceuse peut causer des blessures.

e) Ne travaillez pas en extension. Maintenez un appui et un équilibre correct à tout moment. Ceci permet un meilleur contrôle de la pièce de travail dans des situations inattendues.

f) Habillez-vous correctement. Ne portez pas de vêtements amples ni de bijoux. Maintenez les cheveux, les vêtements et les gants à l'écart des pièces mobiles. Les vêtements amples, bijoux ou cheveux longs peuvent être entraînés par les pièces mobiles.

g) Branchez la table pour défonceuse à des systèmes d'extraction de poussière. L'utilisation de ces systèmes peut réduire les dangers dus aux poussières.

5. Utilisation et entretien de la défonceuse et de sa table

a) Ne forcez pas sur la défonceuse. Utilisez la fraise de défonceuse adaptée à votre application. La défonceuse fera mieux et plus en sécurité le travail pour lequel elle a été conçue.

b) N'utilisez pas la défonceuse ni sa table si l'interrupteur ne permet pas de la mettre en route et de l'arrêter. Toute défonceuse qui ne peut pas être commandée par l'interrupteur est dangereuse et doit être réparée.

c) Débranchez la fiche de la source d'alimentation avant tout réglage, changement d'accessoire ou rangement de la défonceuse et de sa table. Ces mesures de sécurité préventives réduisent le risque en cas de démarrage accidentel de l'outil à moteur.

d) Stockez les défonceuses et tables hors de portée des enfants quand elles ne sont pas utilisées et ne laissez pas des personnes ne connaissant pas la défonceuse, sa table ou ses instructions utiliser l'outil. Les défonceuses et leurs tables sont dangereuses dans les mains d'utilisateurs non formés.

e) Entretenez la défonceuse et sa table. Recherchez des défauts d'alignement ou coincements de pièces mobiles, ruptures de pièces et toute autre condition pouvant gêner le fonctionnement des outils. Si elles sont endommagées, faites réparer la défonceuse ou sa table avant de les utiliser. Beaucoup d'accidents ont pour cause un mauvais entretien des outils à moteur.

f) Maintenez les outils de coupe affûtés et propres. Un entretien correct des outils de coupe à bords affûtés réduit la probabilité de coincement et facilite le contrôle.

g) Utilisez la défonceuse, sa table, les accessoires et outils etc. dans le respect des présentes instructions et de la façon prévue pour le type spécifique de défonceuse, en prenant en compte les conditions et le travail à effectuer. L'utilisation de la défonceuse pour des opérations différentes de celles prévues pourrait conduire à une situation dangereuse.



SÉCURITÉ ÉLECTRIQUE

Alimentation électrique



AVERTISSEMENT: Avant toute intervention d'entretien, isolez la fiche secteur de la source d'alimentation électrique

Utilisation d'une rallonge

- Si une rallonge est nécessaire, utilisez un câble de rallonge à trois conducteurs homologués, adaptée à la puissance d'entrée de cet outil (voir caractéristiques techniques). La section minimale des conducteurs est de 1,5 mm².
- En cas d'utilisation d'un dérouleur, toujours dérouler complètement le câble.
- Consulter aussi le tableau ci-dessous.

Taille du conducteur (mm ²)		Valeurs nominales du câble (Amperes)					
0.75		6					
1.00		10					
1.50		15					
2.50		20					
4.00		25					
Longueur de câble (m)							
		7.5	15	25	30	45	60
Tension (ampères)	Ampères	Valeurs nominales du câble					
230	0 - 2.0	6	6	6	6	6	6
	2.1 - 3.4	6	6	6	6	6	6
	3.5 - 5.0	6	6	6	6	10	15
	5.1 - 7.0	10	10	10	10	15	15
	7.1 - 12.0	15	15	15	15	20	20
	12.1 - 20.0	20	20	20	20	25	-

RISQUES RESIDUELS

Malgré l'application des mesures de sécurité applicables et l'utilisation de dispositifs de sécurité, certains risques résiduels ne peuvent pas être évités.

Ces risques sont les suivants:

- Trouble auditif.
- Risque de blessure corporelle en raison des particules volantes.
- Risque de brûlures en raison de l'échauffement des accessoires lors du fonctionnement.
- Risque de blessure corporelle en raison d'une utilisation prolongée.

MARQUAGES SUR LA TABLE

Les illustrations suivantes sont présentées sur l'outil.



Lire le manuel d'instructions avant l'utilisation.

Position du code de date

L'année de fabrication est sur une étiquette à côté de la plaque signalétique.

ARTICLES LIVRÉS

- 1 x Plan de travail
- 4 x Pieds, avec vis de fixation
- 4 x Rails de pieds
- 1 x Guide arrière avec graduation
- 2 x Jous de guide
- 4 x Boutons de jous de guide
- 1 x Ensemble de protecteur supérieur, appui supérieur et bouton de fixation
- 1 x Embout d'aspiration de poussière avec vis de fixation
- 2 x Boutons et vis de fixation de guide arrière
- 1 x Ensemble appui latéral et bouton de fixation
- 2 x Tiges de rabotage de chant
- 2 x Ensembles bouton de verrouillage de tige de rabotage de chant
- 16 x Vis de fixation de rail de pied avec écrous
- 1 x Plaque d'insert avec vis de fixation
- 1 x Interrupteur d'ouverture hors tension avec vis de fixation
- 1 x Ensemble de guide d'onglet
- 6 x Bagues d'insert
- 1 x Broche d'amorce
- 1 x Tige de poussée avec vis d'ensemble de logement de tige de poussée
- 2 x Graduations de plan de travail (montées)
- 4 x Supports et vis de fixation d'établi

- 2 x Colliers et vis de gestion des câbles
- 1 x Clé plate 10 mm sur plats
- 1 x Clé Allen 3 mm sur plats
- 1 x Ensemble de fixation par vis de défonceuse
- 1 x Manuel d'instructions
- 1 x Carte de garantie

DESCRIPTION DES PIÈCES - (Fig. 1)

- A.** Pieds
- B.** Plaque d'insert
- C.** Plan de travail
- D.** Guide arrière
- E.** Joue de guide
- F.** Appui supérieur
- G.** Guide supérieur
- H.** Broche d'amorce
- I.** Guide d'onglet
- J.** Interrupteur
- K.** Tige de poussée
- L.** Bagues d'insert
- M.** Graduations de plan de travail
- N.** Appui latéral
- O.** Embout d'aspiration de poussière
- P.** Support de fixation d'établi
- Q.** Logement de broche d'amorce
- R.** Clé plate
- S.** Clé Allen 3 mm sur plats
- T.** Tige de rabotage de chant
- U.** Ensemble de verrouillage de tige de rabotage de chant
- V.** Graduation de guide arrière
- W.** Colliers de gestion des câbles
- X.** Rails de pied longs
- Y.** Rails de pied courts
- Z.** Ensemble de vis de fixation de défonceuse

ARTICLES NÉCESSAIRES

- Tournevis Phillips® n° 2
- Défonceuse.
- Outils à main.
- Établi fourni par l'utilisateur.
- Clé plate de 8 mm sur plats pour le guide d'onglet
- Tournevis plat pour la broche d'amorce.

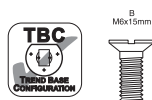
MONTAGE

Montage de la table et du cadre des pieds - (Fig. 2)

Montage des pieds - (Fig. 3)

Montage du plan du travail - (Fig. 4)

Compatibilité avec les défonceuses



Marque	Modèle de routeur	Vis x Quantité
TREND	T3, T4, T5	B X 2
TREND	T10, T11, T12, T14	B X 3
CMT	CMT1E	B X 3
DEWALT	DW613, 614, 615	B X 2
DEWALT	DW624, 625E, DWE625, 627E	B X 3
ELU	MOF96(E) MK2	B X 2
ELU	MOF131, 177 (E) MK2	B X 3
PERLES	OF808(E) > 1999	B X 2

Montage de la défonceuse sur la plaque d'insert - (Fig. 5)

Montage de la table sur l'établi ou la table de travail - (Fig. 6 & 6a)

La table pour défonceuse peut se monter sur un établi ou un plan de travail adapté. Assurez-vous que les pieds de la table sont soutenus et ne sont pas en porte-à-faux.

La hauteur de travail recommandée est de 90 cm du plan de travail au sol.

Montage de l'interrupteur déclencheur hors tension - (Fig. 7 & 7a)

L'interrupteur peut être positionné à l'avant de la table ou du côté droit.



ATTENTION: Assurez-vous que la position de travail est confortable et que la table est fixée à un établi.

Assurez-vous que l'établi est stable et robuste.

Mise à niveau de la plaque d'insert

- (Fig. 8)

La plaque d'insert peut être mise à niveau par rapport au plan de travail en réglant les sept vis de pression à l'aide de la clé Allen.

Pose des bagues d'insert

- (Fig. 9, 9a & 9b)



AVERTISSEMENT: Assurez-vous que les bagues d'insert sont bien ajustées dans la plaque d'insert. Remplacez immédiatement les bagues endommagées ou avec du jeu.

Montage du guide arrière - (Fig. 10))

Pose du guide arrière - (Fig. 10a)

Montage du guide d'onglet - (Fig. 11)

Pose du protecteur supérieur et de l'appui supérieur

- (Fig. 12, 12a, 12b, 12c & 12d)

Pose de l'appui latéral - (Fig. 13 & 13a)

Pose du guide d'onglet - (Fig. 14)

Pose du logement de tige de poussée

- (Fig. 15)

Pose des colliers de gestion des câbles - (Fig. 16)



UTILISATION



Interrupteur déclencheur hors tension - (Fig. 17)

- Branchez la machine sur la prise.
- Insérez la fiche de l'interrupteur dans la prise d'alimentation secteur.
- Mettez en route la défonceuse.
- Appuyez sur le bouton vert pour la mettre en route. Appuyez sur le bouton rouge pour l'arrêter.



AVERTISSEMENT: Isolez de l'alimentation électrique pour tout réglage.

Réglage du guide arrière

- (Fig. 18, 18a & 18b)

- Réglez la position du guide arrière en desserrant les deux boutons (A) et en poussant le guide vers l'avant ou vers l'arrière.
- Verrouillez la position du guide en serrant les deux boutons (A).

Utilisation de la tige de poussée

- (Fig. 19)

La tige de poussée a été conçue pour être utilisée avec une table pour défonceuse et doit toujours être utilisée pour toute coupe de moins de 300 mm de long ou pour l'avancement des derniers 300 mm d'une coupe plus longue. Le bec est à 90° et doit être incliné de 20° à 30° par rapport à la pièce de travail en fonction de la taille de l'opérateur.



ATTENTION: Ne pas utiliser la tige de poussée comme levier ni pour d'autres utilisations que celles prévues.



ATTENTION: La conformité aux exigences de sécurité des règlements applicables est annulée par toute modification ou bricolage de la tige de poussée.

Moulurage et rainurage - (Fig. 20)

- Isolez de la source d'alimentation.
- Posez la fraise.
- Réglez la position du guide arrière.
- Réglez les appuis supérieur et latéral.
- Posez le protecteur.
- Vérifiez que tous les boutons sont bien serrés.
- Branchez la fiche sur la prise d'alimentation.
- Mettez en route.
- Faites avancer de droite à gauche.
- Arrêtez la machine.

Sens d'avancement

- (Fig. 21, 21a & 21b)

- Travaillez toujours à vitesse moyenne et constante. Un avancement trop lent conduit à des marques de brûlures et à un échauffement excessif de la fraise.

- Vous obtiendrez de bons résultats en enlevant de petites quantités de matériau en plusieurs passes
- Faites toujours avancer dans le sens opposé à la rotation de la fraise de la défonceuse.

Moulurage buté

- (Fig. 22, 22a & 22b)

- Isolez de la source d'alimentation.
- Posez la fraise.
- Réglez la position du guide arrière.
- Posez des butées sur le guide arrière à l'aide de crampons.
- Posez le protecteur.
- Vérifiez que tous les boutons sont bien serrés.
- Branchez la fiche sur la prise d'alimentation.
- Mettez en route.
- Déposez le matériau contre la butée d'avancement A et faites pivoter vers la fraise.
- Faites avancer de droite à gauche, jusqu'à la butée de limite de sortie B.
- Faites pivoter à la butée de sortie.
- Arrêtez la machine.

Guide d'onglet - (Fig. 23)

- Isolez de la source d'alimentation.
- Posez la fraise.
- Réglez l'angle du guide d'onglet en desserrant le bouton et en tournant la tête du rapporteur pour aligner l'angle voulu sur la flèche.
- Placez le composant sur le guide d'onglet.
- Branchez la fiche sur la prise d'alimentation.
- Faites avancer de la droite vers la gauche en maintenant fermement le composant.
- Arrêtez la machine.



AVIS: Le guide d'onglet a des trous de fixation pour permettre la fixation d'un martyre par des vis (non fournies).

Broche d'amorce

- (Fig. 24, 24a, 24b & 24c)

- Isolez de la source d'alimentation.
- Posez la broche d'amorce sur le trou fileté à l'aide d'un tournevis plat.
- Reculez le guide arrière.
- Posez une fraise autoguidée.
- Posez le protecteur supérieur.
- Branchez la fiche sur la prise d'alimentation.

- Soutenez le composant sur la broche d'amorce et faites basculer vers la fraise pour entrer en contact avec le guide du roulement.
- Moulurez le composant. Coupez l'alimentation.



AVERTISSEMENT: Protecteur déposé pour une meilleure visibilité. Assurez-vous que le protecteur est posé en cas d'utilisation de fraises autoguidées.



AVIS: La broche d'amorce peut être rangée dans le trou de logement du guide arrière quand elle n'est pas utilisée.

Rabotage de chant

- (Fig. 25, 25a, 26 & 26a)

- Les tiges peuvent être rangées dans les fentes en T en haut du guide arrière.
- Les tiges sont maintenues par serrage des boutons
- Après utilisation de la table, gardez-la montée et rangez-la correctement.

ACCESSOIRES

N'utilisez que des pièces de rechange d'origine et accessoires Trend.

Tuyau et raccord Réf. CRT/4

- (Fig. 27 & 27a)

Le guide arrière est fourni avec un point d'extraction permettant le branchement d'extracteurs à aspiration adaptés. Le diamètre intérieur du trou est de 57 mm (2-1/4").

- N'utilisez qu'un extracteur à aspiration recommandé pour utilisation en atelier.



ENTRETIEN

La table pour défonceuse a été conçue pour fonctionner longtemps avec un minimum d'entretien. Votre satisfaction du fonctionnement dépend des soins et d'un nettoyage régulier de l'appareil.

- Remplacez l'insert de fraise quand il est usé.

Nettoyage

- Dégagez la sciure des gorges. Nettoyez régulièrement la table avec un chiffon doux.
- La tige de poussée est en matériau thermoplastique qui résiste aux solvants, aux huiles, aux graisses et à l'eau. Ne pas utiliser d'acides ni de bases concentrés pour le nettoyage.

Lubrification

- Votre table pour défonceuse n'exige aucune lubrification supplémentaire. Ne pas utiliser de bombe au Teflon (PTFE) sur les composants en plastique de la table.

Stockage

- La table doit être rangée en sécurité quand elle n'est pas utilisée. Il est recommandé de couvrir la table.
- La tige de poussée est équipée de trous pour la ranger facilement sur la table.

PROTECTION DE L'ENVIRONNEMENT



Recyclez les matières premières au lieu de les éliminer comme déchets.

Les accessoires et les emballages doivent être triés pour un recyclage respectueux de l'environnement.



Collecte séparée. Ce produit ne doit pas être jeté avec les ordures ménagères.

Usage domestique

Les réglementations locales peuvent prévoir une collecte séparée des produits électriques domestiques, auprès d'une décharge municipale ou du revendeur lorsque vous achetez un nouveau produit.

Veuillez contacter le service client Trend pour obtenir des conseils sur la façon d'éliminer des produits électriques Trend indésirables dans le respect de l'environnement ou bien visitez la page **www.trend-uk.com**

Usage professionnel

Contactez le service client Trend pour éliminer des produits électriques Trend indésirables.

GARANTIE

Cet appareil est couvert par une garantie du fabricant conformément aux conditions de notre site

www.trend-uk.com

NL - CRT/MK3

Gewaardeerde klant,
Hartelijk dank voor het aanschaffen van dit product van Trend. Dit product zal lang meegaan als u het volgens de onderstaande instructies gebruikt. Definities: Veiligheidsrichtlijnen



OPGELET: Lees de instructies voordat u de machine gebruikt

Definities: Veiligheidsrichtlijnen

De onderstaande definities geven de ernst aan van elk signaalwoord. Lees de handleiding en let op deze symbolen.

In deze handleiding worden de volgende symbolen gebruikt:



WAARSCHUWING:

Wijst op een mogelijk gevaarlijke situatie die, als deze niet wordt voorkomen, kan leiden tot **de dood of ernstig letsel**.



OPGELET:

Wijst op een mogelijk gevaarlijke situatie die, als deze niet wordt voorkomen, kan leiden tot **licht of beperkt letsel**.

OPMERKING: Geef een werkwijze aan, **niet in verband met letsel** die, als deze niet wordt voorkomen, kan leiden tot **materiële schade**.



Geeft risico op elektrische schokken aan.



Geeft risico op brand aan.

Andere symbolen



Draag persoonlijke beschermingsmiddelen (PBM's). Oor-, oog- en ademhalingsbescherming moet worden gedragen.



Wijst op risico op letsel, de dood of beschadiging van het gereedschap indien de aanwijzingen in deze handleiding niet worden opgevolgd.



Zie de handleiding van het elektrische gereedschap.

FREESTAFEL CRT/MK3

TECHNISCHE GEGEVENS

Spanning	VK en Ierland Europa	V _{AC} V _{AC}	240/115 230
Aan / uit knop			Geen volt- release
Dimensies	Breedte x diepte	mm	610 x 405
Tafel hoogte		mm	410
Freesdiameter max. Snijhoogte max.		mm mm	80 50
Verlies van zaagdiepte door tafel dikte		mm	6.35
Werkstuk hoogte max.		mm	60
Werkstuk lengte max. *		mm	590
Gewicht		kg	13.6

*Tenzij een werkstuk ondersteuning wordt gebruikt

Zekeringen		
VK en Ierland Europa	230V gereedschap	13 Ampère, in stekker
VK en Ierland Europa	115V gereedschap	16 ampère, netvoeding
Europa	230V gereedschap	16 ampère, netvoeding

TOEPASSING

Deze tafel is bedoeld voor de vaste opstelling van bovenfreesen, voor het bewerken van hout en houtachtige materialen, met gebruik van een geschikte frees.

Deze tafel is niet bedoeld voor continue productie of inzet op een productielijn.

Deze freestafel is een product voor beroepsmatig gebruik.

NIET GEBRUIKEN onder natte omstandigheden of in de aanwezigheid van brandbare vloeistoffen of gassen.

VOORKOM dat kinderen aan dit product kunnen komen. Bij gebruik van dit product door onervaren gebruikers is toezicht vereist.

Dit product is niet bedoeld voor gebruik door personen (waaronder kinderen) met beperkte fysieke, sensorische of mentale capaciteit; of met gebrek aan ervaring, kennis of vaardigheden, tenzij onder toezicht van een persoon die verantwoordelijk is voor hun veiligheid. Laat nooit kinderen alleen met dit product.



EN 60745-1:2009 + A11:2010 Annex M & EN 60745-2-17:2010 Annex M

Veiligheid van houders voor stationair gebruik voor toepassing met handgereedschap met elektrische aandrijving.

Annex M is van toepassing op houders voor stationair gebruik (freestafels) met of zonder netvoeding, en bedoeld voor toepassing samen met handgereedschap met elektrische aandrijving, maar niet bedoeld voor continue productie of inzet op een productielijn.

ALGEMENE VEILIGHEIDSREGELS VOOR HOUDERS VOOR STATIONAIR GEBRUIK (FREESTAFELS)



WAARSCHUWING! Lees de **gebruiksaanwijzing volledig. Het niet opvolgen van onderstaande aanwijzingen kan leiden tot elektrische schokken, brand en/of ernstig letsel. In de onderstaande waarschuwingen verwijst de term "bovenfrees" zowel naar een bovenfrees met netvoeding als naar een bovenfrees met accuvoeding.**

Volg de veiligheidsvoorschriften in de gebruiksaanwijzing van het elektrische gereedschap dat u gebruikt.

Bewaar deze gebruiksaanwijzing

1. Algemene veiligheid van freestafels (Annex M)

a) Neem de stekker uit het stopcontact voordat u instellingen wijzigt of accessoires verwisselt. Onbedoelde inschakeling van de bovenfrees kan tot ongevallen leiden.

b) Monteer de freestafel geheel voordat u de bovenfrees er in zet. Juiste montage is belangrijk om instorten te voorkomen.

c) Zet de bovenfrees voor gebruik goed vast in de freestafel. Als de bovenfrees in de freestafel beweegt kan dit leiden tot verlies van de beheersing over het gereedschap.

d) Plaats de freestafel op een stevig, vlak en horizontaal oppervlak. Als de freestafel kan verschuiven of wiebelen is het niet mogelijk de bovenfrees of het werkstuk goed en veilig te beheersen.

e) Voorkom overbelasting van de freestafel, en gebruik deze niet als ladder of steiger. Overbelasting, of staan op de freestafel maakt het geheel topzwaar, met kans op kantelen.

f) De freestafel is alleen bedoeld voor gebruik met de in de handleiding genoemde bovenfreesen. De freestafel mag niet met ander elektrisch gereedschap worden gebruikt. Het monteren van gereedschap dat niet bedoeld is voor een freestafel leidt tot letsel.

g) Plaats de inlegingen. Gebruik de juiste tafel inlegingen voor de doorsnede van de frees.

h) Draag altijd de vereiste persoonlijke beschermingsmiddelen. Deze omvatten gehoorbescherming om het risico op gehoorbeschadiging te verminderen; ademhalingsbescherming om het risico

op inademen van schadelijk stof te verminderen; handschoenen om letsel te voorkomen bij het omgaan met frezen en ruwe materialen met scherpe randen; veiligheidsbril om oogletsel door rondvliegende deeltjes te voorkomen;

i) De frees kan in aanraking komen met de handen en vingers van de gebruiker. Verzeker dat de juiste afscherming is gemonteerd en is juist is afgesteld om blootstelling van niet-gebruikte delen van de frees te voorkomen.

j) Er kan terugslag voorkomen. Dit is een onverwacht snelle reactie op het onbeheerst doorvoeren van kleine werkstukken, in de richting tegengesteld aan de doorvoerrichting. Gebruik bij het bewerken van smalle werkstukken horizontale aandrukvoorzieningen om veilig werken te verzekeren.

k) Gevaar door het onbeheerst naar boven komen van het werkstuk.

l) Bij gebogen vormen moet het werkstuk goed geleid worden om slijwonden te voorkomen. Gebruik een geleidepen, aandrukken van boven, en geschikte afscherming om de veiligheid bij het werken te verzekeren.

m) Onjuist gebruik van frezen, werkstukken en geleidevoorzieningen kan tot gevaarlijke situaties leiden. Verzeker dat de gebruiker op de juiste manier omgaat met het werkstuk. De gebruiker moet de werkstukklemmen en geleidevoorzieningen op de juiste manier gebruiken en instellen. De gebruiker moet het juiste gereedschap (frezen) kiezen.

n) Gereedschap dat niet goed onderhouden is kan leiden tot onbeheerste situaties. Gebruik frezen die zijn geslepen, onderhouden en ingesteld in overeenstemming met de aanwijzingen van de fabrikant daarvan.

o) Er bestaat risico op het aanraken van bewegende delen. Bij het verwisselen van frezen of doen van instellingen moet de machine worden uitgeschakeld en de stekker uit het stopcontact worden genomen.

p) Hou uw handen weg van bewegende delen. Gebruik indien mogelijk aandrukvoorzieningen in combinatie met de geleider.

q) Ontbrekende aanslagen (stops) kunnen leiden tot terugslag (kickback). Bij bewerkingen over een beperkte lengte moeten er voor- en/of achteraanslagen worden gemonteerd op de geleider.

r) Monteren van de bovenfrees Monteer de bovenfrees op de juiste manier in de freestafel en zet deze goed vast.

s) Mogelijke onjuiste plaatsing van het gereedschap: monteer de frees op de juiste manier in de bovenfrees, voer het werkstuk door tegen de draairichting van de freesas in.

t) Draaisnelheid van de frees. Kies de juiste draaisnelheid voor de gemonteerde frees en het bewerkte materiaal.

u) Onjuiste instelling van de geleiders. De geleiders moeten juist worden ingesteld, afhankelijk van de toepassing. U kunt een hulpgeleider maken en bevestigen op de twee kanten van de geleider. Dit

minimaliseert de tussenruimte tussen de frees en de (hulp) geleider.

v) Afmeting van het werkstuk. De werkstukafmetingen waar deze freestafel bedoeld voor is vindt u in de "Technische gegevens" in de handleiding Voor grotere lengtes is een werkstukondersteuning vereist.

w) Maximale freesdiameter. De maximale freesdiameter waar deze freestafel bedoeld voor is vindt u in de "Technische gegevens" in de handleiding.

x) Houtbewerking. Gebruik een stofafzuigadapter en stofslang van de juiste afmetingen voor de afzuigaansluiting van de geleider.

2. Werkomgeving

a) Hou de werkomgeving schoon en zorg voor goede verlichting. Rommel en slecht licht leiden al snel tot ongevallen.

b) Gebruik de bovenfrees en freestafel niet in een explosieve atmosfeer, b.v. door de aanwezigheid van brandbare vloeistoffen, gassen of stof. Bovenfreesen en de schakelaars in freestafels veroorzaken vonken die stof of dampen kunnen ontsteken.

c) Hou kinderen en bezoekers uit de buurt tijdens het werken met elektrisch gereedschap. Afleiding kan leiden tot verlies van beheersing over het gereedschap.

3. Elektrische veiligheid

a) De stekkers van de bovenfrees en freestafel moeten overeenkomen met het stopcontact. Pas de stekker nooit aan. Gebruikt nooit stekkeradapters met geaard elektrisch gereedschap. Ongemodificeerde stekkers en de juiste stopcontacten verminderen het risico op elektrische schokken.

b) Zorg dat uw lichaam geen aanraking maakt met geaarde oppervlakken zoals buizen, radiators, fornuizen en koelkasten. Er is een groter risico op elektrische schokken als uw lichaam geaard is.

c) Stel de bovenfrees en freestafel niet bloot aan de regen of vocht. Als er water in de bovenfrees of freestafel dringt verhoogt dit het risico op elektrische schokken.

d) Behandel het netsnoer zorgvuldig. Gebruik het netsnoer nooit om de bovenfrees en schakelaar van de freestafel te dragen, er aan te trekken, of uit het stopcontact te trekken. Hou het netsnoer weg van hitte, olie, scherpe randen en bewegende delen. Beschadigde of verstrikte netsnoeren verhogen het risico op elektrische schokken.

e) Indien een bovenfrees en freestafel buiten worden gebruikt moet het verlengsnoer geschikt zijn voor buitengebruik. Het gebruik van een snoer geschikt voor buitengebruik vermindert het risico op elektrische schokken.

4. Persoonlijke veiligheid

a) Let altijd goed op, kijk waar u mee bezig bent en denk goed na bij het gebruik van een bovenfrees en freestafel. Gebruik deze niet als u moe bent, of onder de invloed van alcohol, drugs of medicijnen bent. Een moment van onoplettendheid bij het gebruik van een bovenfrees en freestafel kan leiden tot ernstig letsel.

b) Gebruik persoonlijke beschermingsmiddelen. Draag altijd oogbescherming. Persoonlijke beschermingsmiddelen zoals een stofmasker,

antislip veiligheidsschoenen, veiligheidshelm en gehoorbescherming voor de betreffende omstandigheden verlagen het risico op letsel.

c) Voorkom onbedoelde inschakeling. Verzeker dat de schakelaar op UIT staat voordat u de stekker in het stopcontact steekt. Als u een bovenfrees draagt met de vinger op de schakelaar, of de stekker in het stopcontact steekt als de bovenfrees ingeschakeld is vraagt u om een ongeval.

d) Verwijder instelsleutels, enz. voordat u de bovenfrees en freestafel inschakelt. Een sleutel die op een draaiende deel van de bovenfrees zit kan leiden tot letsel.

e) Reik niet te ver. Zorg dat u altijd stabiel staat en uw evenwicht niet kunt verliezen. Dit verzekert een betere beheersing van het werkstuk in onverwachte situaties.

f) Draag geschikte kleding. Draag geen loshangende kleding of sieraden. Hou uw haar, kleding en handschoenen uit de buurt van bewegende delen. Loshangende kleding, sieraden en lang haar kunnen worden aangeprepen door bewegende delen.

g) Sluit de freestafel aan op een stofafzuiging. Het gebruik van stofafzuiging kan gevaar i.v.m. stof verminderen.

5. Gebruik en verzorging van de bovenfrees en freestafel

a) Forceer de bovenfrees niet. Gebruik de juiste frees in uw bovenfrees, afhankelijk van de toepassing. De bovenfrees werkt beter en veiliger als deze voor de bedoelde toepassing wordt gebruikt.

b) Gebruik de bovenfrees en freestafel niet als de schakelaar niet goed in- en uitschakelt. Als de schakelaar niet goed werkt is dit gevaarlijk en moet deze gerepareerd worden.

c) Trek de stekker uit het stopcontact voordat u instellingen wijzigt, accessoires wisselt of problemen met de bovenfrees en freestafel oplost. Deze veiligheidsmaatregel vermindert het risico van onbedoelde inschakeling van het gereedschap.

d) Bewaar bovenfreesen en freestafels buiten bereik van kinderen. Zorg dat mensen die onbekend zijn met de bovenfrees of freestafel, of deze gebruiksaanwijzing het gereedschap niet gebruiken. Bovenfreesen en freestafels zijn gevaarlijk voor gebruikers die er niet mee bekend zijn.

e) Onderhoud de bovenfrees en freestafel. Controleer dat bewegende delen goed zijn uitgelijnd en niet vastlopen, dat er geen beschadigde onderdelen zijn, of andere situaties die de werking van het gereedschap kunnen beïnvloeden. Bij beschadiging moet de bovenfrees of freestafel gerepareerd worden voordat deze weer wordt gebruikt. Slecht onderhoud van elektrisch gereedschap leidt tot veel ongevallen.

f) Hou de frezen scherp en schoon. Goed onderhouden frezen met scherpe snijkanten zullen minder snel vastlopen, en zijn beter te beheersen.

g) Gebruik de bovenfrees, freestafel, accessoires en frezen, enz. in overeenstemming met deze gebruiksaanwijzing, en zoals bedoeld voor het betreffende type bovenfrees, en hou rekening met de

werkomstandigheden en de uit te voeren werkzaamheden. Het gebruik van de bovenfrees of freestafel voor andere dan de beoogde toepassing kan leiden tot gevaar.

 **ELEKTRISCHE VEILIGHEID**

Voeding

 **WAARSCHUWING: Haal de stekker uit het stopcontact voordat u onderhoud op het apparaat uitvoert.**

Gebruik van een verlengsnoer

- Als een verlengsnoer vereist is gebruik dan een goedgekeurde drie-aderige kabel die geschikt is voor het opgenomen vermogen van dit gereedschap (zie Technische gegevens). De minimale aderdoorsnede is 1,5 mm².
- Bij gebruik van een kabelhaspel moet deze altijd geheel worden afgewikkeld.
- Zie ook de onderstaande tabel.

Geleidermaat (mm ²)		kabelgraad (Ampère)						
0.75		6						
1.00		10						
1.50		15						
2.50		20						
4.00		25						
Kabellengte (m)								
		7.5	15	25	30	45	60	
Spanning (Ampère)	Ampère	Kabelgraad						
230	0 - 2.0	6	6	6	6	6	6	
	2.1 - 3.4	6	6	6	6	6	6	
	3.5 - 5.0	6	6	6	6	10	15	
	5.1 - 7.0	10	10	10	10	15	15	
	7.1 - 12.0	15	15	15	15	20	20	
	12.1 - 20.0	20	20	20	20	25	-	

RESTRISICO

Ondanks de toepassing van de relevante veiligheidsvoorschriften en de implementatie van veiligheidsvoorzieningen, kunnen bepaalde restrisico's niet worden vermeden. Deze zijn:-

- Aantasting van het gehoor.
- Risico op persoonlijk letsel door rondvliegende deeltjes.

- Gevaar voor brandwonden doordat accessoires tijdens het gebruik heet worden.
- Risico op persoonlijk letsel als gevolg van langdurig gebruik.

MARKERINGEN OP DE TAFEL

Het product is voorzien van de onderstaande afbeeldingen.



Lees de handleiding voor gebruik.

Positie van de datumcode

Het productiejaar is aangegeven op een label naast het typeplaatje.

LEVERINGSOMVANG

- 1 x tafelblad
- 4 x poot en bevestigingsschroef
- 4 x pootligger
- 1 x achtergeleider en schaalverdeling
- 2 x geleiderhelft
- 4 x geleiderhelftknop
- 1 x bovenafscherming, bovenaandrukking en klemknop
- 1 x stofafzuigadapter en bevestigingsschroeven
- 2 x achtergeleider bevestigingsschroef en bout
- 2 x zijaandruk- en klemknop
- 2 x zijschaafstaaf
- 2 x klemknop voor zijschaafstaaf
- 16 x bevestigingsschroef en moer voor de poten
- 1 x inlegplaat en bevestigingsschroeven
- 1 x nulspanningsschakelaar en bevestigingsschroeven
- 1 x versterkgeleider
- 6 x inlegring
- 1 x geleidepen
- 1 x duwstok en bouten voor de duwstokhouder
- 2 x schaalverdeling van het tafelblad (gemonteerd)
- 4 x montagebeugel en schroef voor montage op een werkbank
- 2 x clip en schroef om kabels te geleiden
- 1 x steeksleutel, 10 mm
- 1 x inbussleutel, 3 mm
- 1 x set schroeven voor bevestiging van de bovenfrees
- 1 x gebruiksaanwijzing
- 1 x garantiekaart

ONDERDELEN - (Fig. 1)

- A.** Poten
- B.** Inlegplaat
- C.** Tafelblad
- D.** Achtergeleider
- E.** Geleiderhelft
- F.** Bovenandrukking
- G.** Bovenafscherming
- H.** Geleidepen
- I.** Verstekgeleider
- J.** Schakelaar
- K.** Duwstok
- L.** Inlegingen
- M.** Schaalverdeling van het tafelblad
- N.** Zijaandrukking
- O.** Stofafzuigadapter
- P.** Beugel, montage op werkbank
- Q.** Opbergplaats, geleidepen
- R.** Steeksleutel
- S.** Inbussleutel, 3 mm
- T.** Zijschaafstaaf
- U.** Klemvoorziening voor zijschaafstaaf
- V.** Schaalverdeling, achtergeleider
- W.** Clips, kabelgeleiding
- X.** Pootligger, lang
- Y.** Pootligger, kort
- Z.** Schroeven, bevestiging v.d. bovenfrees

BENODIGD

- Phillips® nr. 2 schroevendraaier
- Bovenfrees.
- Handgereedschap.
- Door de gebruiker gemaakte werkbank.
- 8 mm steeksleutel voor de verstekgeleider
- Sleufschroevendraaier voor de geleidepen.

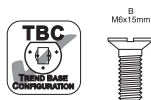
MONTAGE

Monteren van de tafel en het frame - (Fig. 2)

Monteren van de poten - (Fig. 3)

Monteren van het tafelblad - (Fig. 4)

Geschikte bovenfreesen



Merk	Routermodel	Schroef x kwantiteit
TREND	T3, T4, T5	B X 2
TREND	T10, T11, T12, T14	B X 3
CMT	CMT1E	B X 3
DEWALT	DW613, 614, 615	B X 2
DEWALT	DW624, 625E, DWE625, 627E	B X 3
ELU	MOF96(E) MK2	B X 2
ELU	MOF131, 177 (E) MK2	B X 3
PERLES	OF808(E) > 1999	B X 2

Monteren van de bovenfrees op de inlegplaat - (Fig. 5)

Monteren van de freestafel op een werkbank of plaat - (Fig. 6 & 6a)

De freestafel kan worden gemonteerd op een geschikte werkbank of plaat. Verzekerd dat de poten van de freestafel ondersteund worden en niet buiten de werkbank hangen.

De aanbevolen werkhoogte is 90 cm (vloer tot tafelblad).

Monteren van de nulspanningsschakelaar - (Fig. 7 & 7a)

De schakelaar kan aan de voorkant of de rechterkant van de freestafel gemonteerd worden.



WAARSCHUWING: Verzekerd dat u een comfortabele werkhouding heeft en dat de freestafel op een werkbank gemonteerd is. Verzekerd dat de werkbank stabiel is en vast staat.

Uitlijnen van de inlegplaat - (Fig. 8)

De inlegplaat kan worden uitgelijnd met het tafelblad door de zeven instelschroeven met de inbussleutel te verdraaien.

Monteren van de inlegingen - (Fig. 9, 9a & 9b)



WAARSCHUWING: Verzeker altijd dat de inlegringen strak in de inlegplaat passen. Vervang beschadigde of loszittende ringen onmiddellijk.

Monteren van de achtergeleider
- (Fig. 10)

Plaatsen van de achtergeleider
- (Fig. 10a)

Monteren van de verstekgeleider
- (Fig. 11)

Plaatsen van de bovenafscherming en bovenaandrukking
- (Fig. 12, 12a, 12b, 12c & 12d)

Plaatsen van de zijaandrukking
- (Fig. 13 & 13a)

Plaatsen van de verstekgeleider
- (Fig. 14)

Plaatsen van de duwstokhouder
- (Fig. 15)

Plaatsen van de kabelclips - (Fig. 16)



GEBRUIK



Nulspanningsschakelaar
- (Fig. 17)

- Steek de stekker van de machine in de nulspanningsschakelaar.
- Steek de stekker van de nulspanningsschakelaar in het stopcontact.
- Schakel de bovenfrees in.
- Inschakelen: druk de groene knop in. Uitschakelen: druk de rode knop in.



WAARSCHUWING: Trek de bovenfrees uit het stopcontact voordat u instellingen wijzigt.

Instellen van de achtergeleider
- (Fig. 18, 18a & 18b)

- Stel de positie van de achtergeleider in door de twee knoppen (A) los te draaien en de geleider naar voren of naar achteren te verstellen.
- Zet de geleider vast door de twee knoppen (A) aan te draaien.

Gebruik van de duwstok - (Fig. 19)

De duwstok is ontworpen voor gebruik met een freestafel. Deze moet altijd gebruikt worden bij een bewerklingslengte van minder dan 300 mm en het doorvoeren van de laatste 300 mm van een bewerking. De inkeping is 90° en de duwstok moet op een hoek van 20° tot 30° t.o.v. het werkstuk worden gehouden, afhankelijk van de lengte van de gebruiker.



WAARSCHUWING: Gebruik de duwstok niet als hefboom, of voor een andere dan de beoogde toepassing.



WAARSCHUWING:

Als de duwstok wordt gewijzigd wordt niet meer voldaan aan de toepasselijke veiligheidsvoorschriften.

Frezen van profielen en groeven
- (Fig. 20)

- Trek de stekker uit het stopcontact.
- Plaats de frees.
- Stel de positie van de achtergeleider in.
- Stel de boven- en zijaandrukking in.
- Plaats de afscherming.
- Controleer dat alle spanknoppen zijn aangedraaid
- Steek de stekker in het stopcontact.
- Schakel de bovenfrees in.
- Voer het werkstuk door van rechts naar links.
- Schakel de bovenfrees uit.

Doorvoerrichting
- (Fig. 21, 21a & 21b)

- Voor het werkstuk altijd door met een constante, middelmatige snelheid. Een te lage doorvoersnelheid leidt tot verbrandingsporen op het werkstuk en oververhitting van de frees.
- Voor een goed resultaat verwijderd u steeds kleine hoeveelheden materiaal in meerdere freesgangen.
- Voer het werkstuk altijd door in de richting tegengesteld aan de draairichting van de frees.

Niet-doorlopend profiel

- (Fig. 22, 22a & 22b)

- Trek de stekker uit het stopcontact.
- Plaats de frees.
- Stel de positie van de achtergeleider in.
- Klem aanslagen op de achtergeleider met lijmklemmen.
- Plaats de afscherming.
- Controleer dat alle spanknoppen zijn aangedraaid.
- Steek de stekker in het stopcontact.
- Schakel de bovenfrees in.
- Druk het werkstuk tegen aanslag A, bij de invoer, en kantel het tegen de frees.
- Voer het werkstuk door van rechts naar links, tot aanslag B bij de uitvoer bereikt is.
- Kantel het werkstuk weg van aanslag B.
- Schakel de bovenfrees uit.

Verstekgeleider - (Fig. 23)

- Trek de stekker uit het stopcontact.
- Plaats de frees.
- Stel de hoek van de verstekgeleider in door de knop los te draaien en de gradenboog te verdraaien tot de gewenste hoek t.o.v. de pijl staat.
- Plaats het werkstuk tegen de verstekgeleider.
- Steek de stekker in het stopcontact.
- Hou het werkstuk stevig vast en voer het door van rechts naar links.
- Schakel de bovenfrees uit.



OPMERKING: De verstekgeleider is voorzien van gaten zodat er een anti-uitbreekblok (niet meegeleverd) op gemonteerd kan worden.

Geleidepen - (Fig. 24, 24a, 24b & 24c)

- Trek de stekker uit het stopcontact.
- Schroef de geleidepen in het getapte gat, met een sleufschroevendraaier.
- Stel de achtergeleider naar achteren.
- Monteer een frees met een geleidelager.
- Monteer de bovenafscherming.
- Steek de stekker in het stopcontact.
- Druk het werkstuk tegen de geleidepen, kantel het tegen de frees en het geleidelager van de frees.
- Frees het werkstuk. Schakel de bovenfrees uit.



WAARSCHUWING: Afscherming verwijderd voor de illustratie. Verzekert dat de bovenafscherming gemonteerd is bij gebruik van frezen met een geleidelager.



OPMERKING: Als de geleidepen niet wordt gebruikt kan deze worden bewaard in het daarvoor bedoelde gat in de achtergeleider.

Schaven van zijkant

- (Fig. 25, 25a, 26 & 26a)

- De staven worden opgeborgen in de T-sleuven van de achtergeleider.
- De staven worden gefixeerd door de spanknoppen aan te draaien.
- Laat de freestafel na gebruik gemonteerd en berg deze veilig op.

ACCESSOIRES

Gebruik alleen originele Trend reserve onderdelen.

Slang en verbindingstuk Ref. CRT/4

- (Fig.27 & 27a)

De achtergeleider heeft een afzuigpunt waarop een geschikte stofafzuiging kan worden aangesloten. De binnendoorsnede van het gat is 57 mm (2-1/4 inch).

- Gebruik uitsluitend een stofafzuiger die bedoeld is voor gebruik in een werkplaats.

ONDERHOUD

De freestafel is ontworpen voor een lange levensduur met minimaal onderhoud. De goede werking vereist zorg en regelmatige reiniging.

- Vervang de snijplaten van frezen als deze versleten zijn.

Reinigen

- Voorkom opbouw van freesstof in de groeven. Reinig de freestafel regelmatig met een zachte doek.
- De duwstok is vervaardigd uit thermoplastisch materiaal dat bestand is tegen oplosmiddelen, olie, vet en water. Maak deze niet schoon met geconcentreerd zuur of loog.

Smearing

- De freestafel vereist geen aanvullende smearing. Spuit geen PTFE spray op de kunststof onderdelen van de tafel.

Opbergen

- Als de freestafel niet in gebruik is moet deze veilig worden opgeborgen. Het wordt aanbevolen de freestafel af te dekken.
- De duwstok heeft gaten zodat deze makkelijk op de freestafel kan worden opgeborgen.

MILIEUBESCHERMING



Recycle grondstoffen in plaats van ze als afval te verwijderen.

Accessoires en verpakkingen moeten worden gesorteerd voor een milieuvriendelijke recycling.



Aparte afvoer. Dit product mag niet worden afgevoerd via het huishoudelijk afval.

Particuliere gebruiker

Plaatselijke voorschriften kunnen voorzien in gescheiden inzameling van elektrische producten uit het huishouden, op gemeentelijke afvalstortplaatsen of door een winkel wanneer u een nieuw product koopt.

Neem contact op met de klantenservice van Trend voor advies over hoe u ongewenste elektrische producten van Trend op een milieuvriendelijke manier kunt weggooien of bezoek www.trend-uk.com

Commerciële gebruikers

Neem contact op met de klantenservice van Trend voor het verwijderen van ongewenste elektrische Trend-producten.

GARANTIE

Op dit toestel zit een fabrieksgarantie conform de voorwaarden op onze website www.trend-uk.com

SE - CRT/MK3

Bästa kund,

Tack för att du valt denna Trend-produkt, som du kommer att kunna använda under lång tid om den används i enlighet med dessa anvisningar.



FÖRSIKTIGHET: Läs igenom bruksanvisningen innan maskinen används

Definitioner: Säkerhetsanvisningar

Definitionerna nedan beskriver allvarlighetsgraden för varje signalord. Läs handboken och var uppmärksam på dessa symboler.

Följande symboler används i denna handbok:



VARNING:

Anger en potentiellt farlig situation som, om den inte undviks, **kan** leda till **dödsfall eller allvarliga personskador**.



VAR FÖRSIKTIG:

Anger en potentiellt farlig situation som, om den inte undviks, kan leda till **mindre eller måttlig** skada.

OBSERVERA: Anger att en praxis, **inte kopplad** till **personskada**, som, om den inte undviks, **kan** leda till **egendomsskador**.



Anger risk för elektriska stötar.



Anger brandrisk.

Ytterligare symboler som används



Använd personlig skyddsutrustning (PPE). Hörsel-, ögon- och andningsskydd måste bäras.



Anger risken för personskador, dödsfall eller skador på verktyget vid underlåtenhet att följa instruktionerna i denna handbok.



Se bruksanvisningen för ditt elverktyg

FRÅSBORD CRT/MK3

TEKNISKA DATA

Spänning	UK & Eire Europa	V _{AC} V _{AC}	240/115 230
På / Av knapp			Utlösning utan volt
Mått	Bredd x djup	mm	610 x 405
Bordets höjd		mm	410
Skärldiameter max. Skärhöjd max.		mm mm	80 50
Förlust av skärande djup på grund av bordet tjocklek		mm	6.35
Arbetsstyckets höjd max.		mm	60
Arbetsstyckets längd max. *		mm	590
Vikt		kg	13.6

* Om inte ett arbetsstyckesstöd används

Säkringar		
UK & Eire	230V verktyg	13 ampere, i kontakt
UK & Eire	115V verktyg	16 ampere, elnät
Europa	230V verktyg	16 ampere, elnät

AVSEDD ANVÄNDNING

Enheten är avsedd för stationär drift av handfråsar för kapning av trä eller träbaserade material när lämplig fräs är monterad.

Den är inte avsedd för kontinuerlig produktion eller användning som en del i produktionslinjer.

Detta fräsbord är en professionell produkt.

ANVÄND INTE under våta förhållanden eller i närheten av brandfarliga vätskor eller gaser.

LÅT INTE barn komma i kontakt med den här utrustningen. Övervakning krävs när oerfarna användare använder den här utrustningen.

Denna produkt är inte avsedd att användas av personer (inklusive barn) som lider av nedsatt fysisk, sensorisk eller mental förmåga, bristande erfarenhet, kunskap eller färdigheter, såvida de inte övervakas av en person som ansvarar för deras säkerhet. Barn får aldrig lämnas ensamma med den här produkten.



EN 60745-1:2009 + A11:2010 Annex M & EN 60745-2-17:2010 Annex M

Säkerhet gällande arbetsställningar för användning av handhållna motordrivna elverktyg.

Bilaga M gäller för arbetsställningar (fräsbord) med eller utan strömförsörjning och är avsedd att användas i kombination med handhållna elektriska verktyg, men inte avsedd för kontinuerlig produktion eller användning av produktionslinjer.

SÄKERHETSREGLER FÖR ALLMÄN ARBETSSTÄLLNING (FRÄSBORD)



WARNING! Läs alla instruktioner. Underlåtenhet att följa samtliga instruktioner som anges nedan kan leda till elektriska stötar, brand och/eller allvarliga personskador. Termen "fräs" i alla varningar som anges nedan avser fräsverktiget anslutet till elnätet (med sladd) eller det batteridrivna (sladdlösa) fräsverktiget.

Följ säkerhetsföreskrifterna i bruksanvisningen för det fräsverktiget som ska användas.

SPARA DESSA INSTRUKTIONER

1. Allmän säkerhet för fräsbord (bilaga M)

- a) Koppla ur kontakten från strömkällan innan du gör några justeringar eller byter tillbehör. Oavsiktlig start av fräsen kan leda till olyckor.
- b) Montera fräsbordet på rätt sätt innan du monterar fräsen. Korrekt montering är viktigt för att förhindra att enheten faller ihop.
- c) Sätt fast fräsen ordentligt på fräsbordet före användning. Fräsens rörelser på fräsbordet kan orsaka förlust av kontroll.
- d) Placera fräsbordet på en fast, platt och plan yta. Om fräsbordet förflyttar sig eller skakar kan fräsen eller arbetsstycket inte styras stadigt och säkert.
- e) Överbelasta inte fräsbordet och använd det inte som stege eller byggnadsställning. Om bordet överbelastas eller om någon står på fräsbordet blir bordet för tungt upptill och risken är stor att det välter.
- f) Fräsbordet är endast avsett för användning med de fräsar som anges i bruksanvisningen. Fräsbordet får inte användas med något annat elverktyg. Om ett verktyg som inte är avsett för ett fräsbord monteras finns det risk för personskador.
- g) Insatsringar. Använd rätt bordsringar i förhållande till skärverktigets storlek.
- h) Bär alltid lämplig personlig skyddsutrustning. Detta innefattar hörselskydd för att minska risken för hörselskador, andningsskydd för att minska risken för inandning av skadligt damm, handskar för att undvika eventuella skador vid hantering av skärblock och grovt material med vassa kanter samt skyddsglasögon för att undvika ögonskador som orsakas av flygande partiklar.

- i) Möjlig kontakt mellan skärblocket och operatörens hand och fingrar. Se till att korrekt skydd är monterat och justerat för att förhindra kontakt med delar av fräsverktiget som inte används.
- j) Möjlig reky: en oväntad snabb reaktion på okontrollerad rörelse för små arbetsstycken i motsatt riktning mot matarkapningen. Använd horisontella tryckenheter vid arbete med smala arbetsstycken för att säkerställa säker arbetsdrift.
- k) Farlig situation på grund av okontrollerad lyftning av arbetsstycket.
- l) När arbete med krökta delar genomförs är det nödvändigt att styra arbetsstycket på rätt sätt så att skärskador inte uppstår. Använd fästelement, övre tryck och skyddssystem för att säkerställa säker drift.
- m) Felaktig användning av skärverktig, arbetsstycken och förningsenheter kan leda till att farliga situationer uppstår. Se till att operatören hanterar arbetsstycket korrekt. Operatören måste använda, justera och driva arbetsstyckets klämmor och matningsenheter på rätt sätt. Operatören måste säkerställa korrekt val av verktyg.
- n) Ej underhållna verktyg kan orsaka situationer där du förlorar kontrollen. Använd skärverktig som har slipats, underhållits och justerats i enlighet med verktygstillverkarens instruktioner.
- o) Möjlig kontakt med rörliga delar. Stäng av maskinen och dra ur kontakten när du byter ut eller justerar delar.
- p) Håll händerna borta under normalt arbete. Använd tryckenheten tillsammans med skyddet där detta är möjligt.
- q) Om stopp saknas kan en reky uppstå. Använd bakre och/eller främre stopp som har fästs vid skyddet när arbete med skydd genomförs.
- r) Montering av fräs. Montera och fäst den handhållna fräsen på rätt sätt på fräsbordet.
- s) Möjliga fel med verktygets läge: Montera skärverktiget på maskinen korrekt och mata arbetsstycket mot spindelns rotationsriktning.
- t) Fräsens hastighet. Välj den hastighet som motsvarar de verktyg och material som används.
- u) Felaktig justering av skydd. Skydd ska justeras i förhållande till de olika arbetena. Ett falskt skydd kan tas fram och fästas på skyddets ytterdelar, och används för att minska gapet mellan skärverktigen och skyddsplattan.
- v) Arbetsstyckets storlek. Se avsnittet tekniska data i bruksanvisningen för bordet för vilka mått för arbetsstyckena det är avsett för. För större längder krävs ett stöd för arbetsstyckena.
- w) Största skärverktigsdiameter. Se avsnittet med tekniska data i bruksanvisningen för fräsbordet för största skärverktigsdiameter som rekommenderas för arbetsställningen.
- x) Vid bearbetning av trä. Använd den korrekta dammuppsamlingspipen och -slangen som passar för dammutloppsapparaturen vid det bakre skyddet.

2. Arbetsområde

- Se till att arbetsområdet är rent och väl upplyst. Röriga och mörka ytor gör att olyckor lättare uppstår.
- Använd inte fräsen och fräsbordet i explosiva miljöer, till exempel i närheten av brandfarliga vätskor, gaser eller damm. Fråsar och fräsbordsreglage skapar gnistor som kan antända damm eller ångor.
- Håll barn och obehöriga på avstånd då ett elverktyg används. Distractioner kan leda till att du förlorar kontrollen.

3. Elsäkerhet

- Kontakter för fråsar och fräsbordsreglage måste överensstämma med uttaget. Modifiera aldrig kontakten på något sätt. Använd inte adaptorns kontakter med jordade elverktyg. Omodifierade kontakter och matchande uttag minskar risken för elektriska stötar.
- Undvik kroppskontakt med jordade eller jordade ytor som rör, kylare, särskilda områden och kylskåp. Risken för elektriska stötar ökar om din kropp är jordad.
- Se till att fräsen eller fräsbordet inte utsätts för regn eller våta förhållanden. Om vatten kommer in i en fräs eller ett av fräsbordets reglage ökar risken för elektriska stötar.
- Använd inte sladden på fel sätt. Använd aldrig sladden för att bära, dra eller koppla ur fräsen och fräsbordets reglage. Se till att sladden inte kommer i kontakt med värme, olja, vassa kanter eller rörliga delar. Skadade eller intrasslade sladdar ökar risken för elektriska stötar.
- Vid användning av en fräs och ett fräsbord utomhus ska du använda en förlängningssladd som är lämplig för utomhusbruk. Genom att använda en sladd som är lämplig för utomhusbruk minskar risken för elektriska stötar.

4. Personlig säkerhet

- Var uppmärksam, tänk på vad du gör och använd sunt förnuft när du använder fräsen och fräsbordet. Använd inte produkten när du är trött eller påverkad av droger, alkohol eller läkemedel. Ett ögonblick av uppmärksamhet när du använder en fräs och ett fräsbord kan leda till allvarliga personskador.
- Använd säkerhetsutrustning. Använd alltid ögonskydd. Säkerhetsutrustning som dammask, skyddsskor med halkskydd, hjälm eller lämpliga hörselskydd minskar personskador.
- Undvik oavsiktlig start. Se till att brytaren är i Av-läget innan du ansluter apparaten. Bär inte fräsen med fingret på strömbrytaren och koppla inte in fräsen när brytaren är i På-läget eftersom detta kan leda till olyckor.
- Ta bort eventuella justeringsnycklar eller skiftnycklar innan du sätter på fräsen och fräsbordet. Om en skiftnyckel eller en justeringsnyckel fortfarande är ansluten till en fräsens roterande delar kan personskador uppstå.
- Sträck dig inte för långt. Se till att du alltid står stadigt och har balans. Detta gör det lättare att kontrollera arbetsstycket i oväntade situationer.
- Klä dig på rätt sätt. Bär inte kläder som sitter löst eller smycken. Håll hår, kläder och handskar på avstånd från rörliga delar. Löst sittande kläder, smycken eller långt hår kan fastna i rörliga delar.
- Anslut fräsbordet till dammutsugningsenheterna.

När dessa enheter används minskar risken för dammrelaterade faror.

5. Användning och skötsel av fräs och fräsbord

- Tvinga inte fram fräsens rörelser. Använd rätt fräs för användningsområdet. Fräsen arbetar bättre och säkrare om den används på sättet den utformades för.
- Använd inte fräsen eller fräsbordet om det inte går att sätta på eller stänga av dem med brytaren. Alla fråsar som inte kan styras med brytaren är farliga och måste repareras.
- Koppla bort kontakten från strömkällan innan du gör några justeringar, byter tillbehör eller flyttar fräsen och fräsbordet. Sådana förebyggande säkerhetsåtgärder minskar risken om elverktyget startas oavsiktligt.
- Förvara fråsar och fräsbord som inte används utom räckhåll för barn och se till att personer som inte är bekanta med fräsen eller fräsbordet eller dessa instruktioner inte använder verktyget. Fråsar och fräsbord är farliga om de används av utbildade användare.
- Sköt underhållet av fräsen och fräsbordet. Kontrollera om det förekommer felinriktning eller bindning av rörliga delar, skador på delar och andra förhållanden som kan påverka hur verktygen fungerar. Om fräsen eller fräsbordet är skadade måste de repareras före användning. Många olyckor orsakas av dåligt underhållna elverktyg.
- Håll skärverktygen slipade och rena. Korrekt underhållna skärverktyg med slipade skåreggar är mindre benägna att binda och är lättare att kontrollera.
- Använd fräsen, fräsbordet, tillbehören och verktygsdelarna m.m. i enlighet med dessa instruktioner och på det sätt som är avsett för den specifika frästypen, med hänsyn till arbetsförhållandena och arbetet som ska utföras. Om fräsen eller fräsbordet används på ett sätt som det inte är avsett för kan farliga situationer uppstå.



ELEKTRISK SÄKERHET

Strömförsörjning



WARNING: Innan något underhållsarbete utförs skall elkontakten kopplas ifrån från strömkällan

Använda en förlängningskabel

- Om en förlängningskabel krävs, ska en godkänd trekärnig förlängningskabel användas som är lämplig för verktygets effekt (se tekniska data). Minsta ledarstorlek är 1,5 mm².
- När du använder en kabeltrumma ska du alltid rulla ut kabeln helt.
- Se även tabellen nedan.

Ledarstorlek (mm2)		Kabelklassning (Ampere)					
0.75		6					
1.00		10					
1.50		15					
2.50		20					
4.00		25					
Kabellängd (m)							
		7.5	15	25	30	45	60
Spänning (Ampere)	Ampere	Kabelklassning					
230	0 - 2.0	6	6	6	6	6	6
	2.1 - 3.4	6	6	6	6	6	6
	3.5 - 5.0	6	6	6	6	10	15
	5.1 - 7.0	10	10	10	10	15	15
	7.1 - 12.0	15	15	15	15	20	20
	12.1 - 20.0	20	20	20	20	25	-

ÅTERSTÅENDE RISKER

Trots användning av relevanta säkerhetsbestämmelser och implementeringen av säkerhetsenheter kan vissa återstående risker inte undvikas.

Dessa är:-

- Hörselskador.
- Risk för personskador på grund av flygande partiklar
- Risk för brännskador då tillbehör blir heta under användningen.
- Risk för personskador på grund av lång användning.

MARKERINGAR PÅ BORDET

Följande bilder visas på verktyget.



Läs bruksanvisningen före användning.

Datumkod position

Tillverkningsåret finns på en etikett bredvid märkskylten.

OBJEKT SOM MEDFÖLJER

- 1 x bordsskiva
- 4 x ben och fästskruvar
- 4 x benskenor
- 1 x bakskydd och skala
- 2 x sidoskydd
- 4 x sidoskyddsvred
- 1 x övre skydd, övertrycks- och fästvredsenhet
- 1 x damppip och fästskruvar

- 2 x bakskyddsfästen och skruvar
- 1 x sidotrycks- och fästvredsenhet
- 2 x kanthyvlingstånger
- 2 x låsvredsenheter för kanthyvlingstång
- 16 x fästskruvar och muttrar för benskenor
- 1 x insatsplatta och fästskruvar
- 1 x nollspänningsbrytare och fästskruvar
- 1 x geringsskensenhet
- 6 x insatsringar
- 1 x ledningsstift
- 1 x monteringskruvar för tryckpinne och fack för tryckpinne
- 2 x bordsskiveskalor (monterade)
- 4 x bänkmonteringsfästen och skruvar
- 2 x kabelhanteringsklämmor och skruvar
- 1 x nyckel 10 mm A/F
- 1 x insexnyckel 3 mm A/F
- 1 x monteringskruvspaket för fräs
- 1 x instruktioner
- 1 x garantikort

BESKRIVNING AV DELAR - (Fig. 1)

- A.** Ben
- B.** Insatsplatta
- C.** Bordsskiva
- D.** Bakskydd
- E.** Sidoskydd
- F.** Övertryck
- G.** Övre skydd
- H.** Ledningsstift
- I.** Geringsskena
- J.** Brytare
- K.** Tryckpinne
- L.** Insatsringar
- M.** Bordsskiveskalor
- N.** Sidotryck
- O.** Damppip
- P.** Bänkmonteringsfäste
- Q.** Fack för ledningsstift
- R.** Nyckel
- S.** Insexnyckel 3 mm AF
- T.** Kanthyvlingstång
- U.** Låsenhet för kanthyvlingstång
- V.** Bakskyddsskala
- W.** Kabelhanteringsklämmor
- X.** Långa benskenor

Y. Korta benskenor

Z. Monteringsskruvspaket för fräs

OBJEKT SOM KRÄVS

- Phillips® nr 2 skruvmejsel.
- Fräs.
- Handverktyg.
- Användartillverkad bänk.
- Nyckel 8 mm A/F för geringsskena.
- Platt skruvmejsel för ledningsstift.

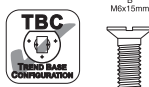
MONTERING

Montera bords- och benstomme - (Fig. 2)

Benmontering - (Fig. 3)

Bänkskiva - (Fig. 4)

Fräsenhetens kompatibilitet



Företag	Routermodell	Skruva x kvantitet
TREND	T3, T4, T5	B X 2
TREND	T10, T11, T12, T14	B X 3
CMT	CMT1E	B X 3
DEWALT	DW613, 614, 615	B X 2
DEWALT	DW624, 625E, DWE625, 627E	B X 3
ELU	MOF96(E) MK2	B X 2
ELU	MOF131, 177 (E) MK2	B X 3
PERLES	OF808(E) > 1999	B X 2

Montera fräsen på insatsplattan - (Fig.5)

Montera bordet på arbetsbänken - (Fig. 6 & 6a)

Fräsbordet kan monteras på en lämplig arbetsbänk. Se till att benen på bordet stöds och inte sticker ut över kanten.

En rekommenderad arbetshöjd är 90 cm från bordsskivan till golvet.

Montera nollspänningsbrytaren - (Fig. 7 & 7a)

Brytaren kan placeras på framsidan av bordet eller på höger sida.



VAR FÖRSIKTIG: Se till att arbetsläget är bekvämt och att bordet är fäst på en arbetsbänk. Se till att arbetsbänken är stabil och säker.

Justera insatsplattan - (Fig. 8)

Insatsplattan kan justeras mot bordsskivan genom att justera de sju fästskruvarna med insexnyckeln.

Montera insatsringarna - (Fig. 9, 9a & 9b)



WARNING! Se alltid till att insatsringarna sitter tätt mot insatsplattan. Byt omedelbart ut skadade eller lösa ringar.

Bakskyddsenhet - (Fig. 10)

Montera bakskyddet - (Fig. 10a)

Sätta ihop geringsskenan - (Fig. 11)

Montera det övre skyddet och övertrycket

- (Fig. 12, 12a, 12b, 12c & 12d)

Montera sidotrycket - (Fig. 13 & 13a)

Montera geringsskenan - (Fig. 14)

Montera tryckpinnens fack - (Fig. 15)

Montera kabelhanteringsklämmor - (Fig. 16)



Nollspänningsbrytare - (Fig. 17)

- Anslut maskinen till uttaget.
- Anslut kontakten till elnätet.
- Slå på fräsen.
- Tryck på den gröna knappen för att slå på. Tryck på den röda knappen för att stänga av.



WARNING!

Isolera maskinen från strömförsörjningen när du gör justeringar.

**Justera bakskyddet
- (Fig. 18, 18a & 18b)**

- Justera bakskyddets position genom att lossa de två vreden (A) och trycka skyddet framåt eller bakåt.
- Lås fast skyddet i önskat läge genom att dra åt de två vreden (A).

Drift med tryckpinne - (Fig. 19)

Tryckpinnen har utformats för användning med ett fräsbord och ska alltid användas vid skär med en längd under 300 mm eller när du matar fram de sista 300 mm av skäret. Skåran i spetsen är 90° och ska vinklas mellan 20° och 30° mot arbetsstycket för att passa användarens höjd.



VAR FÖRSIKTIG: Använd inte tryckpinnen som en spak eller för andra användningsområden än de som avses.



VAR FÖRSIKTIG: Efterlevnaden av säkerhetskraven i gällande bestämmelser upphävs av all ändring eller manipulering av tryckpinnen.

**Kantfräsning och spårsvarning
- (Fig. 20)**

- Isolera från strömkällan.
- Montera fräsen.
- Ställ in bakskyddet.
- Ställ in över- och sidotrycket.
- Montera skyddet.
- Kontrollera att alla vred är åtdragna.
- Anslut till strömförsörjningen.
- Slå på.
- Mata från höger till vänster.
- Stäng av.

**Matningsriktning
- (Fig. 21, 21a & 21b)**

- Arbeta alltid med konstant, medelhög hastighet. För långsam matning leder till brännmärken och överdriven fräsvärme.
- Bäst resultat uppnås genom att ta bort små mängder material i flera pass.
- Mata alltid arbetsstycket i motsatt riktning mot överfrärens rotationsriktning.

**Fräsning med stopp
- (Fig. 22, 22a & 22b)**

- Isolera från strömförsörjningen.
- Montera fräsen.
- Ställ in bakskyddet.
- Montera några stopp på bakskyddet med klämmor.
- Montera skyddet.
- Kontrollera att alla vred är åtdragna.
- Anslut till strömförsörjningen.
- Slå på.
- Släpp materialet mot inmatningsstopp A och sväng mot fräsen.
- Mata från höger till vänster tills du når utmatningsgränsstopp B.
- Vrid vid utmatningsstoppet.
- Stäng av.

Geringsskena - (Fig. 23)

- Isolera från strömförsörjningen.
- Montera fräsen.
- Justera vinkeln på geringsskenan genom att lossa vredet och vrida gradskivan till den inriktningsvinkel som krävs med pilen.
- Placera komponenten på geringsskenan.
- Anslut till strömförsörjningen.
- Mata från höger till vänster och håll stadigt i komponenten.
- Stäng av.



OBSERVERA: Geringsskenan har fästhål så att ett stödblock kan fästas med skruvar (medföljer ej).

**Ledningsstift
- (Fig. 24, 24a, 24b & 24c)**

- Isolera från strömförsörjningen.
- Montera ledningsstiftet i det gängade hålet med hjälp av en platt skruvmejsel.
- Flytta tillbaka bakskyddet.
- Montera den självstyrda fräsen.
- Montera det övre skyddet.
- Anslut till strömförsörjningen.
- Stöd komponenten på ledningsstiftet och sväng mot fräsen och kontaktguiden.
- Fräs komponenten. n Stäng av.



VARNING! Skyddet har tagits bort för tydlighet. Se till att skyddet är monterat när du använder självstyrda fräsar.



OBSERVERA: Ledningsstiftet kan förvaras i stiftfackshålet i bakskyddet när det inte används.

Kanthyvling - (Fig. 25, 25a, 26 & 26a)

- Stängerna kan förvaras i T-skårorna i den övre delen av bakskyddet.
- Stängerna hålls på plats genom att vreden dras åt.
- När du är färdig med bordet ska du låta det förbli ihopmonterat och förvara det ordentligt.

TILLBEHÖR

Använd endast originalreservdelar och -tillbehör från Trend.

Slang och kontakt Ref. CRT/4 - (Fig.27 & 27a)

Bakskyddet är försett med en utsugspunkt för anslutning till lämpliga vakuumdamsugare. Den interna håldiametern är 57 mm (2 1/4 tum).

- Endast en vakuumdamsugare som rekommenderas för användning i verkstaden ska användas.



UNDERHÅLL

Fräsbordet har utformats för att användas under en lång tidsperiod med minimalt underhåll. Enheten måste hanteras korrekt och rengöras regelbundet för att fungera felfritt.

- Byt ut fränsinsatsen när den är utsliten.

Rengöring

- Håll skårorna fria från sågspån. Rengör bordet regelbundet med en mjuk trasa.
- Tryckpinnen är tillverkad av termoplast som är resistent mot lösningsmedel, oljor, fett och vatten. Använd inte koncentrerade syror eller alkalier för rengöring.

Smörjning

- Fräsbordet kräver ingen ytterligare smörjning. Använd inte PTFE-sprej på bordets plastkomponenter.

Förvaring

- När bordet inte används ska det förvaras på ett säkert sätt. Vi rekommenderar att bordet täcks över.
- Tryckpinnen är försedd med hål för att underlätta förvaring på bordet.

MILJÖSKYDD



Återvinn råmaterial istället för att kasta det som skräp.

Tillbehör och förpackningsmaterial skall sorteras och återvinnas på ett miljövänligt sätt.



Separat insamling. Denna produkt får inte kastas i de vanliga hushållssoporna.

Hushållsbruk

Lokal bestämmelser kan gälla för separat insamling av elektriska produkter från hushåll, på återvinningsstationer eller hos återförsäljaren när du köper en ny produkt.

Ring Trend kundtjänst för råd om hur du skall avyttra oönskade Trend elektriska produkter på ett miljövänligt och säkert sätt eller besök www.trend-uk.com

Företagsanvändare

Ring Trend kundtjänst för avyttring av oönskade Trend elektriska produkter.

GARANTI

Denna enhet har tillverkargaranti i enlighet med villkoren på vår webbplats www.trend-uk.com

IT - CRT/MK3

Gentile Cliente,

Grazie per aver acquistato questo prodotto Trend, progettato per prestazioni durature se utilizzato in conformità con queste istruzioni.

 **ATTENZIONE:** Leggere le istruzioni prima di utilizzare la macchina.

Definizioni: Linee guida sulla sicurezza

Le definizioni seguenti descrivono il livello di severità di ciascuna parola segnale. Leggere il manuale e prestare attenzione a questi simboli.

In questo manuale, vengono utilizzati i seguenti simboli:

 **AVVERTENZA:**

Indica una situazione potenzialmente pericolosa che, se non evitata, può comportare la morte o un grave infortunio.

 **ATTENZIONE:**

Indica una situazione potenzialmente pericolosa che, se non evitata, potrebbe comportare un infortunio lieve o moderato.

AVVISO: Indica una pratica **non correlata** a un **infortunio** che, se non evitata, **potrebbe** comportare un **danno alla proprietà**.


 Denota un rischio di scossa elettrica.


 Denota un rischio di incendio.

Simboli aggiuntivi utilizzati



Indossare dispositivi di protezione individuale (DPI). È necessario indossare protezioni per orecchie, occhi e vie respiratorie.

 Denota il rischio di lesioni personali, perdita di vita o danno all'utensile in caso di inosservanza delle istruzioni di questo manuale.

 Fate riferimento al manuale di istruzioni del vostro utensile elettrico

BANCO PER FRESATRICE CRT/MK3

DATI TECNICI

Tensione	Europa	V Ac	230
Interruttore ON/OFF			Rilascio senza tensione
Dimensioni	Larghezza x profondità	mm	610 x 405
Altezza del banco		mm	410
Diametro max. del dispositivo di taglio Altezza max. del dispositivo di taglio		mm mm	80 50
Perdita di profondità di taglio dovuta al banco spessore		mm	6.35
Altezza max. del pezzo di lavoro		mm	60
Lunghezza max. del pezzo di lavoro*		mm	590
Peso		kg	13.6

* A meno che non si utilizzi un supporto del pezzo di lavoro.

Fusibile		
Europa	230v Strumento	16 Ampere, in rete

USO PREVISTO

L'unità è intesa per il funzionamento stazionario di fresatrici portatili per il taglio di legno o materiali a base di legno quando è montato un dispositivo di taglio idoneo.

Non è intesa per la produzione continua o per l'uso in una linea di produzione.

Questo banco per fresatrice è un prodotto professionale.

NON utilizzare in condizioni di bagnato o in presenza di liquidi o gas infiammabili.

NON lasciare che bambini vengano a contatto con questo apparecchio. È necessaria la supervisione quando operatori inesperti utilizzano questo apparecchio.

Questo prodotto non è inteso per l'uso da parte di persone (compresi bambini) con ridotte capacità fisiche, sensoriali o mentali, prive di esperienza, conoscenze o abilità, se non supervisionate da una persona responsabile per la loro sicurezza. I bambini non devono mai essere lasciati soli con questo prodotto.



**EN 60745-1:2009 + A11:2010 Annex M
& EN 60745-2-17:2010 Annex
Sicurezza dei banchi di lavoro per il
funzionamento con utensili elettrici a motore
portatili.**

L'Allegato M si applica ai banchi di lavoro (banco per fresatrice) con o senza alimentazione di rete e inteso per l'uso in combinazione con utensili elettrici portatili ma non inteso per la produzione continua o per l'uso in una linea di produzione.

**REGOLE GENERALI PER LA SICUREZZA DEI
BANCHI DI LAVORO (BANCO PER FRESATRICE)**



AVVERTENZA! Leggere tutte le istruzioni. La mancata osservanza di tutte le istruzioni indicate sotto può comportare una scossa elettrica, incendio e/o grave infortunio. Con il termine "fresatrice" in tutte le avvertenze sotto riportate si indica il vostro utensile elettrico fresatrice (con cavo) alimentato dalla rete o utensile elettrico fresatrice (senza fili) a batteria.

Osservare i regolamenti per la sicurezza nel manuale di istruzioni dell'utensile elettrico fresatrice da utilizzare.

CONSERVATE QUESTE ISTRUZIONI

1. Sicurezza generale per i banchi per fresatrice (Allegato M)

a) Scollegare la spina dall'alimentazione prima di effettuare qualsiasi regolazione o sostituire gli accessori. Un avvio accidentale della fresatrice può causare incidenti.

b) Montare correttamente il banco per fresatrice prima di montare la fresatrice. Un corretto assemblaggio è importante per evitare il rischio di caduta.

c) Fissare saldamente la fresatrice al banco prima dell'uso. Uno spostamento della fresatrice sul banco può causare una perdita di controllo.

d) Posizionare il banco per fresatrice su una superficie solida, piana e uniforme. Se il banco per fresatrice può spostarsi od oscillare, la fresatrice o il pezzo di lavoro non possono essere controllati in modo regolare o sicuro.

e) Non sovraccaricare il banco per fresatrice o utilizzarlo come scala o ponteggio. Sovraccaricare o salire sul banco per fresatrice fa sì che il baricentro del banco sia sbilanciato verso la parte superiore e aumenta la probabilità di ribaltamento.

f) Il banco per fresatrice è unicamente inteso per l'uso con le fresatrici indicate nel manuale. Il banco per fresatrice non deve essere utilizzato con nessun altro utensile elettrico. Il montaggio di un utensile non previsto per l'uso con un banco per fresatrice può causare un infortunio.

g) Anelli di inserimento. Utilizzare gli anelli corretti per il banco, in relazione alle dimensioni dell'utensile di taglio.

h) Indossare sempre dispositivi di protezione individuale.

Questi includono protezioni per l'udito, per ridurre il rischio di

perdita indotta dell'udito; protezioni respiratorie per ridurre il rischio di inalazione di polvere nociva; guanti per evitare possibili lesioni durante la manipolazione del blocco del dispositivo di taglio e materiale grezzo a causa di bordi affilati; occhiali di sicurezza per evitare lesioni agli occhi causate da particolato volante;

i) Possibile contatto del blocco del dispositivo di taglio con mano e dita dell'operatore. Garantire il montaggio e la regolazione della protezione idonea per evitare accessibilità alle porzioni dell'utensile di taglio non in uso;

j) Possibile contraccolpo, una reazione rapida imprevista alla guida non controllata di piccoli pezzi di lavoro in direzione opposta alla linea di taglio. Utilizzare dispositivi di pressione orizzontale durante il lavoro su pezzi di lavoro stretti per garantire condizioni operative sicure;

k) Situazione pericolosa dovuta a un sollevamento non controllato del pezzo di lavoro.

l) Durante l'esecuzione di lavori curvi, è necessario guidare il pezzo di lavoro nel modo corretto per evitare lesioni da taglio. Utilizzare un perno di guida, dispositivo di pressione superiore e un sistema di protezioni per garantire un funzionamento sicuro.

m) L'uso scorretto di utensili di taglio, pezzo di lavoro e dispositivi di guida può determinare situazioni pericolose. Assicurarsi che l'operatore maneggi correttamente il pezzo di lavoro. L'operatore deve utilizzare, regolare e maneggiare morsetti e dispositivi di guida del pezzo di lavoro in modo corretto. L'operatore deve garantire una corretta selezione dell'utensile.

n) Utensili privi di manutenzione possono determinare situazioni fuori controllo. Utilizzare utensili di taglio affilati, manutenuiti e regolati in linea con le istruzioni dei produttori degli utensili;

o) Possibile contatto con parti mobili. Spegnerne la macchina ed estrarre la spina durante la sostituzione o la regolazione.

p) Tenere lontane le mani durante il lavoro in linea retta. Ove possibile, utilizzare un dispositivo di pressione unitamente alla sponda.

q) L'assenza di fermi può causare un contraccolpo. Utilizzare fermi posteriori e/o anteriori come sponda per il lavoro con fermi.

f) Montaggio della fresatrice. Montare e fissare correttamente la fresatrice portatile sul banco per fresatrice.

s) Possibile errore della posizione dell'utensile: Montare correttamente gli utensili di taglio sulla macchina e inserire il pezzo di lavoro in direzione contraria alla rotazione del fusello.

t) Velocità del dispositivo di taglio. Selezionare la velocità corretta corrispondente agli utensili e al materiale in uso.

u) Regolazione non corretta delle sponde. Le sponde devono essere regolate in relazione ai diversi lavori. È

possibile realizzare una falsa sponda e fissarla alle relative ganasce, per ridurre al minimo la distanza tra utensile di taglio e piastra della sponda.

v) Dimensioni dei pezzi di lavoro. Consultare la sezione dei dati tecnici del manuale del banco per le dimensioni dei pezzi di lavoro per cui è progettato il banco di lavoro. Per le lunghezze superiori è necessario un supporto del pezzo di lavoro.

w) Diametro massimo del dispositivo di taglio. Consultare la sezione dei dati tecnici del manuale del banco per fresatrice per il diametro massimo dell'utensile di taglio per cui è raccomandato il banco di lavoro.

x) In caso di lavorazione del legno. Utilizzare il beccuccio e il tubo flessibile di raccolta della polvere delle dimensioni corrette in base all'apertura del beccuccio per la polvere della sponda posteriore.

2. Area di lavoro

a) Mantenere l'area di lavoro pulita e ben illuminata. Le aree di lavoro disordinate e buie favoriscono gli incidenti.

b) Non utilizzare fresatrice e banco per fresatrice in atmosfere esplosive, come in presenza di liquidi, gas o polveri infiammabili. Fresatrici e interruttori dei banchi per fresatrici creano scintille che possono accendere polveri o fumi.

c) Tenere bambini e astanti a distanza durante l'utilizzo di un utensile elettrico. Le distrazioni possono far perdere il controllo.

3. Sicurezza elettrica

a) Le spine della fresatrice e dell'interruttore del banco per fresatrice devono corrispondere alla presa. Non modificare mai la spina in nessun modo. Non utilizzare adattatori per le spine con utensili elettrici con messa a terra. Spine non modificate e prese corrispondenti riducono il rischio di scossa elettrica.

b) Evitare che il corpo venga a contatto con superfici messe a terra, come tubi, radiatori, campi e refrigeratori. Se il corpo è collegato a terra, il rischio di scossa elettrica aumenta.

c) Non esporre la fresatrice o il banco per fresatrice a pioggia o condizioni di bagnato. La penetrazione di acqua in una fresatrice o un banco per fresatrice aumenta il rischio di scossa elettrica.

d) Non utilizzare impropriamente il cavo. Non utilizzare mai il cavo per trasportare, tirare o scollegare la fresatrice e l'interruttore del banco per fresatrice. Tenere il cavo lontano da calore, olio, bordi affilati o parti in movimento. I cavi danneggiati o impigliati aumentano il rischio di scossa elettrica.

e) Quando si utilizza una fresatrice e un banco per fresatrice all'aperto, utilizzare una prolunga idonea all'uso all'aperto. L'utilizzo di un cavo idoneo per l'uso all'aperto riduce il rischio di scossa elettrica.

4. Sicurezza personale

a) Restare vigili, tenere lo sguardo sul lavoro da svolgere e usare il buon senso quando si utilizza una fresatrice o un banco per fresatrice. Non utilizzare l'apparecchio se si

è stanchi o sotto l'influenza di droghe, alcol o farmaci. Un momento di disattenzione durante l'utilizzo di una fresatrice o un banco per fresatrice può comportare gravi infortuni.

b) Utilizzare dispositivi di sicurezza. Indossare sempre protezioni per gli occhi. I dispositivi di sicurezza, come maschera antipolvere, scarpe di sicurezza antiscivolo, casco o protezioni per l'udito utilizzati per le condizioni opportune riducono gli infortuni.

c) Evitare l'avviamento accidentale. Assicurarsi che l'interruttore sia in posizione Off prima di collegare l'utensile. Il trasporto di fresatrici con il dito sull'interruttore o il collegamento di fresatrici con l'interruttore On favoriscono gli incidenti.

d) Rimuovere qualsiasi chiave o chiave inglese di regolazione prima di accendere la fresatrice e il banco per fresatrice. Una chiave inglese o una chiave collegate a un elemento rotante della fresatrice possono comportare infortuni.

e) Non sporgersi eccessivamente. Mantenere una posizione corretta e l'equilibrio in ogni momento. Questo permette un migliore controllo del pezzo di lavoro in situazioni impreviste.

f) Vestirsi in modo adeguato. Non indossare indumenti o gioielli larghi. Tenere capelli, indumenti e guanti a distanza dalle parti in movimento. Indumenti e gioielli larghi o i capelli lunghi possono rimanere impigliati nelle parti in movimento.

g) Collegare il banco per fresatrice a dispositivi di estrazione della polvere. L'utilizzo di questi dispositivi può ridurre i pericoli legati alla polvere.

5. Utilizzo e cura della fresatrice e del banco per fresatrice

a) Non forzare la fresatrice. Utilizzare il dispositivo di taglio della fresatrice corretto per l'applicazione del caso. La fresatrice lavorerà meglio e in modo più sicuro per le operazioni per cui è stata progettata.

b) Non utilizzare la fresatrice o il banco per fresatrice se l'interruttore non li accende e spegne. Qualsiasi fresatrice che non possa essere controllata tramite interruttore è pericolosa e deve essere riparata.

c) Scollegare la spina dall'alimentazione prima di effettuare qualsiasi regolazione, sostituire gli accessori o separare fresatrice e banco per fresatrice. Tali misure di sicurezza preventive riducono il rischio di avviamento accidentale dell'utensile elettrico.

d) Riporre fresatrici e banchi per fresatrici inattivi fuori dalla portata dei bambini e non lasciare utilizzare l'utensile a persone che non abbiano familiarità con la fresatrice, il banco per fresatrice o queste istruzioni. Fresatrici e banchi per fresatrici sono pericolosi nelle mani di utenti non addestrati.

e) Mantenere fresatrice e banco per fresatrice. Verificare l'assenza di disallineamento o grippaggio delle parti in movimento, rottura di pezzi e qualsiasi altra condizione che possa influire sul funzionamento degli utensili. In

caso di danni, far riparare la fresatrice o il banco per fresatrice prima dell'uso. Molti incidenti sono causati da una scarsa manutenzione degli utensili elettrici.

f) Mantenere i dispositivi di taglio affilati e puliti. Dispositivi di taglio correttamente mantenuti e con bordi di taglio affilati hanno meno probabilità di causare grippaggio e sono più facili da controllare.

g) Utilizzare la fresatrice, il banco per fresatrice, accessori e punte degli utensili ecc. in linea con queste istruzioni e nel modo previsto per il tipo specifico di fresatrice, tenendo in considerazione le condizioni operative e il lavoro da svolgere. L'utilizzo della fresatrice o del banco per fresatrice per attività diverse da quelle previste può comportare una situazione di pericolo.



SICUREZZA ELETTRICA

Alimentazione elettrica



AVVERTENZA: Prima di qualsiasi intervento di manutenzione, isolare la spina di rete dall'alimentazione.

Utilizzo di un cavo di prolunga

- Se è necessario utilizzare un cavo di prolunga, utilizzarne uno a tre poli approvato, adatto all'assorbimento di energia di questo utensile (vedere i dati tecnici). Le dimensioni minime del conduttore sono di 1,5 mm².
- Quando si utilizza un cavo con bobina, svolgere sempre completamente il cavo.
- Fare inoltre riferimento alla tabella seguente.

Dimensioni del conduttore (mm ²)	Corrente nominale del cavo (Ampere)
0.75	6
1.00	10
1.50	15
2.50	20
4.00	25
Lunghezza cavo (m)	
	7.5 15 25 30 45 60

Voltaggio	Amperes	Valutazione del cavo (Ampere)					
		6	6	6	6	6	6
230	0 – 2.0	6	6	6	6	6	6
	2.1 – 3.4	6	6	6	6	6	6
	3.5 – 5.0	6	6	6	6	10	15
	5.1 - 7.0	10	10	10	10	15	15
	7.1 – 12.0	15	15	15	15	20	20
	12.1 – 20.0	20	20	20	20	25	-

RISCHI RESIDUI

Nonostante il rispetto dei regolamenti sulla sicurezza pertinenti e l'implementazione dei dispositivi di sicurezza, non è possibile evitare determinati rischi residui.

Questi sono:

- Danneggiamento dell'udito.
- Rischio di infortuni dovuti a particolato volante.
- Rischio di ustioni dovute ad accessori che si surriscaldano durante il funzionamento.
- Rischio di infortuni dovuti a un utilizzo prolungato.

MARCATURE SUL BANCO

Le seguenti immagini sono mostrate sull'utensile.



Leggere il manuale di istruzioni prima dell'uso.

Posizione del codice della data

L'anno di produzione è riportato su un'etichetta accanto alla targhetta dei valori nominali.

ARTICOLI IN DOTAZIONE

- 1 x Piano di lavoro
- 4 x Gambe e viti di fissaggio
- 4 x Guide delle gambe
- 1 x Sponda posteriore e riga
- 2 x Ganasce della sponda
- 4 x Manopole delle ganasce della sponda
- 1 x Gruppo protezione superiore, dispositivo di pressione superiore e manopola di fissaggio
- 1 x Beccuccio per la polvere e viti di fissaggio
- 2 x Manopole e bulloni di fissaggio della sponda posteriore
- 1 x Gruppo dispositivo di pressione laterale e manopola di fissaggio
- 2 x Aste di piallatura dei bordi
- 2 x Gruppi manopole di bloccaggio delle aste di piallatura dei bordi
- 16 x Viti e dadi di fissaggio delle guide delle gambe

- 1 x Piastra di inserimento e viti di fissaggio
- 1 x Interruttore di rilascio senza tensione e viti di fissaggio
- 1 x Gruppo sponda per calibro
- 6 x Anelli di inserimento
- 1 x Pernone di guida
- 1 x Bulloni di montaggio asta di pressione e stazionamento asta di pressione
- 2 x Righe per piano di lavoro (montate)
- 4 x Staffe e viti di montaggio del banco di lavoro
- 2 x Clip e viti di gestione dei cavi
- 1 x Chiave inglese 10 mm A/F
- 1 x Chiave esagonale 3 mm A/F
- 1 x Pacchetto di viti di fissaggio per la fresatrice
- 1 x Istruzioni

DESCRIZIONE DEI COMPONENTI
– (Fig. 1)

- A.** Gambe
- B.** Piastra di inserimento
- C.** Piano di lavoro
- D.** Sponda posteriore
- E.** Ganascia della sponda
- F.** Dispositivo di pressione superiore
- G.** Protezione superiore
- H.** Pernone di guida
- I.** Sponda per calibro
- J.** Interruttore
- K.** Asta di pressione
- L.** Anelli di inserimento
- M.** Righe per piano di lavoro
- N.** Dispositivo di pressione laterale
- O.** Beccuccio per la polvere
- P.** Staffa di montaggio del banco di lavoro
- Q.** Stazionamento del perno di guida
- R.** Chiave inglese
- S.** Chiave esagonale 3 mm A/F
- T.** Asta di piallatura dei bordi
- U.** Gruppo di bloccaggio delle aste di piallatura dei bordi
- V.** Riga per sponda posteriore
- W.** Clip di gestione dei cavi
- X.** Guide delle gambe lunghe
- Y.** Guide delle gambe corte
- Z.** Pacchetto di viti di fissaggio della fresatrice

ARTICOLI RICHIESTI

- Cacciavite Phillips® n.2
- Fresatrice.
- Utensili manuali.
- Banco di lavoro realizzato dall'utente.
- Chiave da 8 mm A/F per sponda per calibro.
- Cacciavite a intaglio per perno di guida.



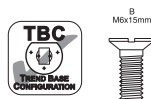
MONTAGGIO

Montaggio del telaio di banco e gambe – (Fig. 2)

Montaggio delle gambe – (Fig. 3)

Montaggio della parte superiore del banco di lavoro – (Fig. 4)

Compatibilità della fresatrice



Marca	Modella	Vite x quantità
TREND	T3, T4, T5	B X 2
TREND	T10, T11, T12, T14	B X 3
CMT	CMT1E	B X 3
DEWALT	DW613, 614, 615	B X 2
DEWALT	DW624, 625E, DW625, 627	B X 3
ELU	MOF96(E) MK2	B X 2
ELU	MOF131, 177 (E) MK2	B X 3
PERLES	OF808(E) > 1999	B X 2

Montaggio della fresatrice sulla piastra di inserimento – (Fig. 5)


Montaggio del banco su un banco di lavoro o una tavola di lavoro – (Fig. 6 e 6a)

Il banco per fresatrice può essere montato su un banco di lavoro o una tavola di lavoro idonei. Assicurarsi che le gambe del banco siano supportate e che non sporgano.

Un'altezza di lavoro raccomandata è di 900 mm dal piano di lavoro al pavimento.

Montaggio dell'interruttore di rilascio senza tensione - (Fig. 7 e 7a)

L'interruttore può essere posto sul davanti del banco o sul lato destro.

 **ATTENZIONE:** Assicurarsi che la posizione operativa sia confortevole e che il banco sia fissato a un banco di lavoro. Assicurarsi che il banco di lavoro sia stabile e fisso.

Livellamento della piastra di inserimento - (Fig. 8)

La piastra di inserimento può essere livellata al piano di lavoro regolando le sette viti di fermo con la chiave esagonale.

Montaggio degli anelli di inserimento - (Fig. 9, 9a e 9b)

 **AVVERTENZA:** Assicurarsi sempre che gli anelli di inserimento si infilino saldamente nella piastra di inserimento. Sostituire immediatamente gli anelli danneggiati o allentati.

Gruppo sponda posteriore - (Fig. 10)

Montaggio della sponda posteriore - (Fig. 10a)

Assemblaggio della sponda per calibro - (Fig. 11)

Montaggio di protezione superiore e dispositivo di pressione superiore - (Fig. 12, 12a, 12b, 12c e 12d)

Montaggio del dispositivo di pressione laterale - (Fig. 13 e 13a)

Montaggio della sponda per calibro - (Fig. 14)

Montaggio dello stazionamento dell'asta di pressione - (Fig. 15)

Montaggio delle clip di gestione dei cavi - (Fig. 16)

FUNZIONAMENTO



Interruttore di rilascio senza tensione - (Fig. 17)

- Collegare la macchina alla presa.
- Inserire la spina dell'interruttore nell'alimentazione di rete.
- Accendere la fresatrice.
- Premere il pulsante verde per accendere. Per spegnere, premere il pulsante rosso.

 **AVVERTENZA:** Isolare dall'alimentazione quando si effettuano regolazioni.


Regolazione della sponda posteriore - (Fig. 18, 18a e 18b)

- Regolare la posizione della sponda posteriore allentando le due manopole (A) e spingendo avanti o indietro la sponda.
- Bloccare la posizione della sponda serrando le due manopole (A).

Funzionamento dell'asta di pressione - (Fig. 19)

L'asta di pressione è stata progettata per l'uso con un banco per fresatrice e deve essere sempre utilizzata quando si effettuano tagli di lunghezza inferiore a 300 mm o quando si inseriscono gli ultimi 300 mm di un taglio più lungo. Il beccuccio è a 90° e deve essere inclinato a un'angolazione tra 20° e 30° affinché il pezzo di lavoro sia adatto all'altezza dell'operatore.

 **ATTENZIONE:** Non utilizzare l'asta di pressione come leva o per usi diversi da quelli previsti.

 **ATTENZIONE:** La conformità con i requisiti di sicurezza dei regolamenti in vigore viene annullata da eventuali modifiche o manomissioni dell'asta di pressione.

Sagomatura e scanalatura dei bordi - (Fig. 20)

- Isolare dall'alimentazione.
- Montare il dispositivo di taglio.
- Impostare la posizione della sponda posteriore.
- Impostare i dispositivi di pressione superiore e laterale.

- Montare la protezione.
- Verificare che tutte le manopole siano serrate.
- Collegare all'alimentazione.
- Accendere.
- Alimentare da destra a sinistra.
- Spegnerne.

Direzione di alimentazione

– (Fig. 21, 21a e 21b)

- Lavorare sempre a una frequenza media costante. Un'alimentazione troppo lenta determinerà segni di bruciatura e un eccessivo accumulo di calore nel dispositivo di taglio.
- Si otterranno buoni risultati rimuovendo piccole quantità di materiale in diverse passate.
- Inserire sempre il pezzo di lavoro in direzione opposta alla rotazione del dispositivo di taglio della fresatrice.

Sagomatura arrestata

– (Fig. 22, 22a e 22b)

- Isolare dall'alimentazione.
- Montare il dispositivo di taglio.
- Impostare la posizione della sponda posteriore.
- Montare alcuni fermi sulla sponda posteriore con i morsetti.
- Montare la protezione.
- Verificare che tutte le manopole siano serrate
- Collegare all'alimentazione.
- Accendere.
- Lasciar cadere il materiale contro l'arresto alimentazione A e ruotarlo nel dispositivo di taglio.
- Alimentare da destra a sinistra, fino a raggiungere l'arresto limite di uscita B.
- Ruotare all'arresto di uscita
- Spegnerne.

Sponda per calibro – (Fig. 23)

- Isolare dall'alimentazione.
- Montare il dispositivo di taglio.
- Regolare l'angolo della sponda per calibro allentando la manopola e ruotando la testa del goniometro per allineare l'angolo richiesto con la freccia.
- Posizionare il componente sulla sponda per calibro.
- Collegare all'alimentazione.
- Alimentare da destra a sinistra tenendo saldamente il componente.
- Spegnerne.



AVVISO: La sponda per calibro presenta dei fori di fissaggio per consentire di fissare un blocco paratrucoli con le viti (non in dotazione).

Perno di guida

– (Fig. 24, 24a, 24b e 24c)

- Isolare dall'alimentazione.
- Montare il perno di guida nel foro filettato utilizzando un cacciavite a intaglio.
- Riposizionare la sponda posteriore.
- Montare il dispositivo di taglio autoguidato.
- Montare la protezione superiore.
- Collegare all'alimentazione.
- Supportare il componente sul perno di guida e ruotarlo nel dispositivo di taglio a contatto con la guida dei cuscinetti.
- Sagomare il componente.
- Spegnerne.



AVVERTENZA: Protezione rimossa per chiarezza. Assicurarsi che la protezione sia montata quando si utilizzano dispositivi di taglio autoguidati.



AVVISO: Il perno di guida può essere riposto nel foro di stazionamento del perno nella sponda posteriore quando non in uso.

Piallatura dei bordi

– (Fig. 25, 25a, 26 e 26a)

- Le aste possono essere posizionate nelle scanalature A T nella parte superiore della sponda posteriore.
- Le aste sono fissate dal serraggio delle manopole.
- Dopo l'uso del piano, tenere montato e riporre in modo idoneo.



ACCESSORI

Utilizzare solo ricambi e accessori originali Trend.

Tube flessibile e connettore rif. CRT/4 – (Fig. 27 e 27a)

La sponda posteriore è dotata di un punto di estrazione per il collegamento a estrattori di aspirazione idonei. Il diametro del tubo flessibile interno è di 57 mm (2-1/4").

- Utilizzare solo l'unità di estrazione di aspirazione raccomandata per l'uso in officina.

MANUTENZIONE

Il banco per fresatrice è stato progettato per il funzionamento per un lungo periodo di tempo con manutenzione minima. Un funzionamento soddisfacente continuativo dipende dalla corretta cura e dalla pulizia regolare dell'utensile.

- Sostituire l'insero del dispositivo di taglio quando usurato.

Pulizia

- Mantenere le scanalature prive di polvere di segatura. Pulire regolarmente il banco con un panno morbido.
- L'asta di pressione è realizzata in materiale termoplastico resistente a solventi, oli, grassi e acqua. Non utilizzare acidi o alcali concentrati per la pulizia.

Lubrificazione

- Il banco per fresatrice non richiede lubrificazione aggiuntiva. Non utilizzare PTFE spray sui componenti in plastica del banco.

Conservazione


- Quando non in uso, il banco deve essere riposto in sicurezza. Si consiglia di coprire il banco.
- L'asta di pressione è dotata di fori per un facile stoccaggio sul banco.

PROTEZIONE AMBIENTALE

Riciclare le materie prime anziché smaltirle come rifiuti.

Accessori e imballaggio devono essere smistati per un riciclaggio ecocompatibile.



 Raccolta separata. Questo prodotto non deve essere smaltito con i rifiuti domestici.

Utente residenziale

I regolamenti locali possono fornire una raccolta separata dei prodotti elettrici rispetto ai rifiuti domestici, presso siti di riciclaggio comunali o il rivenditore quando si acquista un prodotto nuovo. Contattare l'assistenza clienti di Trend per suggerimenti su come smaltire i prodotti elettrici Trend indesiderati in modo ecocompatibile, oppure visitare il sito www.trend-uk.com

Utenti aziendali

Contattare l'assistenza clienti di Trend per lo smaltimento dei prodotti elettrici Trend indesiderati.

GARANZIA


Il prodotto è corredato da una garanzia del produttore in linea con le condizioni riportate sul nostro sito

www.trend-uk.com

PL – CRT/MK3

Drogi Kliencie,


Dziękujemy za zakup tego produktu marki Trend, który pod warunkiem eksploatacji zgodnie z niniejszą instrukcją powinien pracować przez wiele lat.


 **UWAGA: Przed użyciem maszyny przeczytaj instrukcję.**

Definicje: Wytyczne dotyczące bezpieczeństwa

Poniższe definicje opisują poziom istotności każdego słowa ostrzegawczego. Należy zapoznać się z instrukcją i zwracać uwagę na te symbole.


W niniejszej instrukcji stosowane są poniższe symbole:

 **OSTRZEŻENIE: Informuje o sytuacji potencjalnie niebezpiecznej, która, jeżeli nie da się jej uniknąć, może skutkować śmiercią lub poważnymi obrażeniami ciała.**

 **PRZESTROGA: Informuje o sytuacji potencjalnie niebezpiecznej, która, jeżeli nie da się jej uniknąć, może skutkować umiarkowanymi lub niewielkimi obrażeniami ciała.**

UWAGA: Oznacza praktykę **niezwiązaną z obrażeniami ciała**, która, jeżeli nie da się jej uniknąć, **może skutkować szkodami materialnymi.**


 Oznacza ryzyko porażenia prądem elektrycznym.

 Oznacza ryzyko pożaru.

Stosowane symbole dodatkowe



Należy stosować środki ochrony indywidualnej (ŚOI). Należy stosować środki ochrony słuchu, oczu i dróg oddechowych.

 Oznacza ryzyko obrażeń ciała, utraty życia lub uszkodzenia narzędzia w przypadku nieprzestrzegania zaleceń zawartych w instrukcji.



Zob. instrukcja obsługi elektronarzędzia.

STÓŁ FREZARKI CRT/MK3

DANE TECHNICZNE

Napięcie	Europa	V Ac	230
Przełącznik Wł./Wyt.			Zwolnienie bez napięcia
Wymiary	Szerokość x głębokość	mm	610 x 405
Wysokość stołu		mm	410
Maks. średnica frezu Maks. wysokość frezu		mm mm	80 50
Utrata głębokości frezowania ze względu na grubość stołu		mm	6.35
Maks. wysokość przedmiotu obrabianego		mm	60
Maks. długość przedmiotu obrabianego*		mm	590
Masa		kg	13.6

* Jeżeli nie jest używany uchwyt przedmiotu obrabianego.

Bezpiecznik		
Europa	Narzędzie 230 V	16 Amperów, sieć

PRZEZNACZENIE

Urządzenie jest przeznaczone do stacjonarnego uruchamiania przenośnych frezarek do obróbki drewna lub materiału na bazie drewna po zamontowaniu odpowiedniego frezu.

Nie jest ono przeznaczone do ciągłej produkcji lub użytkowania w linii produkcyjnej.

Ten stół frezarki jest produktem profesjonalnym.

NIE wolno używać w warunkach mokrych lub w obecności łatwopalnych cieczy lub gazów.

NIE wolno dopuszczać do kontaktu dzieci z tym urządzeniem. Nadzór jest wymagany, gdy niedoświadczeni operatorzy używają tego urządzenia.

Produkt ten nie jest przeznaczony do użytku przez osoby (w tym dzieci) o obniżonych zdolnościach fizycznych, sensorycznych lub psychicznych; niewystarczającym doświadczeniu, wiedzy lub umiejętnościach, o ile nie są nadzorowane przez osobę odpowiedzialną za ich bezpieczeństwo. Dzieci nie mogą pozostawać same w pobliżu produktu.



EN 60745-1:2009 + A11:2010 Załącznik M oraz EN 60745-2-17:2010 Załącznik M

Bezpieczeństwo stojaków roboczych do pracy z elektronarzędziami ręcznymi z napędem silnikowym.

Załącznik M dotyczy stojaków roboczych (stół frezarki) z zasilaniem sieciowym lub bez oraz przeznaczonych do stosowania w połączeniu z elektronarzędziami ręcznymi, ale nieprzeznaczonych do ciągłej produkcji lub użytkowania w liniach produkcyjnych.

OGÓLNE ZASADY BEZPIECZEŃSTWA DOTYCZĄCE STOJAKA ROBOCZEGO (STÓŁ FREZARKI)

! OSTRZEŻENIE! Przeczytaj wszystkie instrukcje. Niestosowanie się do poniższych instrukcji może doprowadzić do porażenia prądem elektrycznym, pożaru lub poważnych obrażeń. Termin „frezarka” we wszystkich ostrzeżeniach wymienionych poniżej odnosi się do elektronarzędzia – frezarki (przewodowej) zasilanej napięciem sieciowym lub elektronarzędzia – frezarki (beprzewodowej) zasilanej z akumulatora.

Przestrzegaj przepisów bezpieczeństwa zawartych w instrukcji obsługi wykorzystywanego elektronarzędzia – frezarki.

INSTRUKCJĘ NALEŻY ZACHOWAĆ

1. Ogólne zasady bezpieczeństwa stołu frezarki (załącznik M)

- Odłącz wtyczkę od źródła zasilania przed dokonaniem jakichkolwiek regulacji lub wymiany akcesoriów. Przyczyną niektórych wypadków jest przypadkowe uruchomienie frezarki.
- Przed zamontowaniem frezarki należy prawidłowo zmontować stół frezarki. Prawidłowy montaż jest ważny, aby zapobiec ryzyku rozpadnięcia się.
- Przed przyjęciem bezpiecznie zamocuj frezarkę do stołu frezarki. Przesunięcie frezarki na stole frezarki może spowodować utratę kontroli.
- Ustaw stół frezarki na twardej, płaskiej i poziomej powierzchni. Gdy stół frezarki może się przesuwać lub kotłować, nie można stałe ani bezpiecznie kontrolować frezarki ani przedmiotu obrabianego.
- Nie wolno przeciągać stołu frezarki ani używać go jako drabiny lub rusztowania. Przeciążenie stołu frezarki lub stawianie na nim powoduje znaczne obciążenie blatu i grozi przewróceniem.
- Stół frezarki jest przeznaczony wyłącznie do użytku z frezarkami wymienionymi w instrukcji. Stołu frezarki nie wolno używać z żadnym innym elektronarzędziem. Zamocowanie narzędzia nieprzeznaczonego do stołu frezarki może spowodować obrażenia ciała.

G) Załóż pierścienie. Użyj odpowiednich pierścieni stołu w stosunku do rozmiaru frezarki.

h) Należy zawsze nosić odpowiednie środki ochrony indywidualnej. Obejmuje to ochronę słuchu w celu zmniejszenia ryzyka

utraty słuchu; ochronę dróg oddechowych w celu zmniejszenia ryzyka wdychania szkodliwych pyłów; rękawice, aby uniknąć obrażeń przy obsłudze głowicy tnącej i szorstkiego materiału wynikających z ostrych krawędzi; okulary ochronne zapobiegające obrażeniu oczu spowodowanym wyrzucanymi cząstkami;

i) Możliwy kontakt głowicy tnącej z ręką i palcami operatora. Dopilnuj zamocowania i wyregulowania odpowiedniej osłony w celu uniemożliwienia dostępu do nieużywanych części narzędzia tnącego;

j) Możliwość odrzutu, nieoczekiwana szybka reakcja na niekontrolowane prowadzenie małych przedmiotów obrabianych przeciwnie do kierunku cięcia. Podczas pracy z wąskimi elementami roboczymi stosuj poziome urządzenia dociskowe w celu zapewnienia bezpiecznej pracy.

k) Niebezpieczeństwo powodowane przez niekontrolowane podniesienie przedmiotu obrabianego.

l) Podczas wykonywania prac obejmujących łuki konieczne jest prowadzenie przedmiotu obrabianego w prawidłowy sposób, aby zapobiec urazom przy obróbce. Aby zapewnić bezpieczną pracę, należy stosować prowadnik, docisk od góry i układ osłon.

m) Nieprawidłowe użycie narzędzi tnących, przedmiotu obrabianego i urządzeń prowadzących może prowadzić do niebezpiecznej sytuacji. Dopilnuj, aby operator prawidłowo obchodził się z przedmiotem obrabianym. Operator musi prawidłowo używać, regulować i obsługiwać uchwyty i elementy prowadzące. Operator musi zapewnić prawidłowy dobór narzędzi.

n) Niekonserwowane narzędzia mogą być przyczyną niekontrolowanych sytuacji. Używaj narzędzi tnących, które są ostre, konserwowane i wyregulowane zgodnie z instrukcją producenta narzędzi;

o) Możliwy kontakt z częściami ruchomymi. Wyłącz maszynę i wyjmij wtyczkę podczas wymiany lub regulacji.

p) Podczas prostej pracy trzymaj ręce z daleka. W miarę możliwości używaj urządzenia dociskowego w połączeniu z prowadnicą.

q) Braki ograniczników mogą spowodować odrzucenie. Podczas pracy zatrzymanej należy używać ograniczników z tyłu lub z przodu przymocowanych do prowadnicy.

r) Montaż frezarki. Prawidłowo zamocuj ręczną frezarkę i przymocuj ją do stołu frezarki.

s) Możliwy błąd pozycji narzędzia: Prawidłowo zamocuj frez do maszyny i podawaj przedmiot obrabiany w kierunku obrotu wrzeciona.

t) Prędkość frezu. Wybierz odpowiednią prędkość odpowiadającą używanemu oprzyrządowaniu i materiałowi.

u) Niewłaściwa regulacja prowadnic. Prowadnice należy dostosować do różnych prac. Można wykonać dodatkową prowadnicę i przymocować ją do boków prowadnic. Służy ono do zminimalizowania odstępów między narzędziem tnącym a płytą prowadnicą.

V) Rozmiar przedmiotu obrabianego. Wymiary przedmiotów obrabianych, do których przeznaczony jest stojak roboczy, podano w rozdziale danych technicznych w instrukcji obsługi. Przy większych długościach wymagana jest podpora dla przedmiotu obrabianego.

w) Maksymalna średnica narzędzia tnącego. Maksymalna średnicę narzędzia tnącego zalecaną do stołu frezarki podano w rozdziale danych technicznych instrukcji stołu frezarki.

x) Podczas obróbki drewna. Zastosuj odpowiedniego rozmiaru odciąg pyłu i wąż, aby dopasować je do szczeliny na końcówkę odciągu pyłu w tylnej prowadnicy

2. Obszar roboczy

a) Utrzymuj porządek na obszarze roboczym i dbaj, aby był on dobrze oświetlony. Zagrażone i ciemne miejsca narażają na wypadki.

b) Nie używaj frezarki i stołu frezarki w obszarach zagrożonych wybuchem, na przykład w pobliżu łatwopalnych cieczy, gazów lub pyłów. Frezarki i stół frezarki generują iskry, które mogą spowodować zapłon pyłów lub oparów.

c) Podczas pracy z użyciem narzędzia elektrycznego pilnuj, aby dzieci i osoby postronne znajdowały się w bezpiecznej odległości. Rozproszenie może powodować utratę panowania.

3. Bezpieczeństwo użytkowania urządzeń elektrycznych

a) Wtyczki przełączników frezarki i stołu frezarki muszą być zgodne z gniazdem. Nie wolno w żaden sposób modyfikować wtyczki zasilającej. Nie wolno używać żadnych adapterów gniazd/wtyczek z uzieniami elektronarzędziami. Stosowanie niezmodyfikowanych wtyczek i pasujących do nich gniazd sieciowych pozwoli zmniejszyć ryzyko porażenia prądem elektrycznym.

b) Unikaj kontaktu ciała z uzienionymi powierzchniami, takimi jak rury, grzejniki, kuchenki i lodówki. Jeżeli ciało jest uzienione, ryzyko porażenia prądem elektrycznym jest większe.

c) Nie narażaj frezarki i stołu frezarki na działanie deszczu lub warunków mokrych. Przedostanie się wody do przełącznika frezarki lub stołu frezarki zwiększy ryzyko porażenia prądem elektrycznym.

d) Z przewodem obchodź się we właściwy sposób. Nigdy nie używaj przewodu zasilającego do przenoszenia, przyciągania do siebie lub odłączania frezarki i stołu frezarki. Przewód trzymaj z dala od źródeł ciepła, oleju, ostrych krawędzi lub części ruchomych. Uszkodzone lub zaplątane przewody zasilające zwiększają ryzyko porażenia prądem elektrycznym.

e) Przy eksploatacji frezarki i stołu frezarki na zewnątrz należy stosować przedłużacz odpowiedni do użytku na

zewnątrz pomieszczenia. Użycie przewodu zasilającego nadającego się do stosowania na zewnątrz zmniejsza ryzyko porażenia prądem elektrycznym.

4. Bezpieczeństwo osobiste

a) Podczas pracy z frezarką i stołem frezarki bądź czujny, zwracaj uwagę na to co robisz i stosuj zdrowy rozsądek. Nie używaj elektronarzędzi gdy jesteś zmęczony lub pod wpływem środków odurzających, alkoholu lub leków. Moment nieuwagi podczas obsługi frezarki i stołu może prowadzić do poważnych obrażeń ciała.

b) Korzystaj ze środków ochrony. Zawsze chroń wzrok. Środki ochrony, takie jak maska przeciwpyłowa, bezpieczne obuwie z podeszwą przeciwpoślizgową, sztywne kask lub ochronniki słuchu używane w odpowiednich warunkach ograniczą ryzyko obrażeń ciała.

c) Unikaj przypadkowego uruchomienia. Przed włączeniem upewnij się, że przełącznik znajduje się w położeniu wyłączonym. Przeniesienie frezarek z palcem na przełączniku lub podłączanie frezarek, które są włączone przełącznikiem to zaproszenie dla wypadku.

d) Zdemontuj wszelkie klucze lub narzędzia regulacyjne przed włączeniem frezarki i stołu. Klucz lub narzędzie podłączone do obracającego się elementu frezarki może doprowadzić do obrażeń ciała.

e) Nie sięgaj zbyt daleko narzędziem. Zawsze utrzymujmy stabilną postawę i równowagę. Pozwoli to lepiej zapanować nad przedmiotem obrabianym w niespodziewanych sytuacjach.

f) Noś odpowiednią odzież. Nie noś luźnej odzieży ani biżuterii. Pilnuj, aby włosy, odzież i rękawice nie dostały się do części ruchomych. Luźna odzież, biżuteria lub długie włosy mogą zostać pochwycone przez części ruchome.

g) Podłącz stół frezarki do urządzeń odpylających. Zastosowanie tych urządzeń może zmniejszyć zagrożenia związane z pyłem.

5. Użytkowanie i obsługa frezarki i stołu

a) Nie wymuszaj pracy frezarki. Użyj odpowiedniego frezu do danego zastosowania. Frezarka lepiej i bezpieczniej wykona pracę, do której została zaprojektowana.

b) Nie używaj frezarki lub stołu, jeśli przełącznik nie włącza i nie wyłącza narzędzia. Każda frezarka, której nie da się kontrolować za pomocą wyłącznika stwarza zagrożenie i należy ją oddać do naprawy.

c) Odłącz wtyczkę od źródła zasilania przed dokonaniem jakichkolwiek regulacji, zmianą akcesoriów lub oddzieleniem frezarki od stołu. Taki środek zapobiegawczy zmniejsza ryzyko przypadkowego uruchomienia elektronarzędzia.

d) Nieużywane frezarki i stoły przechowuj w miejscu niedostępnym dla dzieci i nie zezwalaj osobom niezaznajomionym z frezarką lub stołem ani z niniejszą instrukcją na obsługę narzędzia. Frezarki i stoły są niebezpieczne w rękach niewyszkolonych użytkowników.

e) Dbaj o konserwację frezarki i stołu. Sprawdź, czy ruchome elementy są właściwie ustawione i czy nie

blokują się, zwróć uwagę na uszkodzone elementy lub inny ich stan mogący mieć wpływ na działanie narzędzia. W razie uszkodzenia zleć naprawę frezarki lub stołu przed ich użyciem. Wiele wypadków jest spowodowanych przez elektronarzędzia będące w kiepskim stanie technicznym.

f) Pilnuj, aby narzędzia tnące były ostre i czyste. Właściwie utrzymywane narzędzia tnące o naostrzonych krawędziach tnących mają mniejsze szanse zablokowania się i są łatwiejsze do kontrolowania.

g) Używaj frezarki, stołu, akcesoriów i ostrzy roboczych itp. zgodnie z niniejszymi instrukcjami i w sposób, do jakiego dany rodzaj frezarki jest przeznaczony, uwzględniając warunki robocze oraz planowaną pracę. Użycie frezarki lub stołu do prac innych niż zgodne z przeznaczeniem może spowodować powstanie niebezpiecznej sytuacji.

BEZPIECZEŃSTWO UŻYTKOWANIA URZĄDZEŃ ELEKTRYCZNYCH

Dotyczące zasilania

 **OSTRZEŻENIE:** Przed przystąpieniem do prac konserwacyjnych należy odłączyć wtyczkę zasilającą od źródła zasilania.

Używanie przedłużacza

- Jeśli wymagany jest przedłużacz, należy użyć dopuszczanego trzyżyłowego przedłużacza odpowiedniego do zasilania tego narzędzia (zob. dane techniczne). Minimalny przekrój przewodu wynosi 1,5 mm².
- W przypadku używania przedłużacza na bębnie należy zawsze całkowicie rozwinąć kabel.
- Zob. również tabela poniżej.

Przekrój przewodu (mm ²)	Parametry znamionowe kabla (w amperach)
0.75	6
1.00	10
1.50	15
2.50	20
4.00	25
Długość kabla (m)	
	7.5 15 25 30 45 60

Napięcie	Ampery	Parametry znamionowe kabla (w amperach)					
		6	6	6	6	6	6
230	0 – 2.0	6	6	6	6	6	6
	2.1 – 3.4	6	6	6	6	6	6
	3.5 – 5.0	6	6	6	6	10	15
	5.1 - 7.0	10	10	10	10	15	15
	7.1 – 12.0	15	15	15	15	20	20
	12.1 – 20.0	20	20	20	20	25	-

RYZYKO RESZTKOWE

Pomimo stosowania odpowiednich przepisów bezpieczeństwa i zastosowania urządzeń zabezpieczających nie można uniknąć ryzyka resztkowego.

Obejmuje ono:

- Uszkodzenia słuchu.
- Ryzyko obrażeń ciała w wyniku wyrzuconych cząstek.
- Ryzyko oparzeń w wyniku nagrzewania się osprzętu podczas pracy.
- Ryzyko obrażeń ciała w wyniku długotrwałego użytkowania.

OZNACZENIA NA STOLE

Na narzędziu widoczne są następujące oznaczenia:



Przed użyciem należy zapoznać się z instrukcją obsługi.

Pozycja kodu daty

Rok produkcji znajduje się na etykiecie obok tabliczki znamionowej.

ELEMENTY W ZESTAWIE

- 1 x Błat stołu
- 4 x nogi i śruby mocujące
- 4 x Szyny nóg
- 1 x Tylna prowadnica i przymiar
- 2 x Boki prowadnic
- 4 x Pokręta boków prowadnic
- 1 x Osłona górna, docisk górny i zespół pokręta mocującego
- 1 x Odciąg pyłu i śruby mocujące
- 2 x Pokręta i śruby mocujące prowadnicy tylnej
- 1 x Zespół docisku bocznego i pokręta mocującego
- 2 x Pręty strugania krawędzi
- 2 x Zespoły pokręteł do blokowania pręta strugania krawędzi

- 16 x Śruby i nakrętki do mocowania szyny nogi
- 1 x Wstawka i śruby mocujące
- 1 x Przełącznik bezpotencjałowy i śruby mocujące
- 1 x Zespół przewodnicy kątovej
- 6 x Pierścienie wstawki
- 1 x Trzpień prowadzący
- 1 x Popychacz i śruby uchwytu popychacza
- 2 x Przyrmiary nablatowe (zamontowane)
- 4 x Podpory i śruby montażowe stołu
- 2 x Uchwyty i śruby do prowadzenia kabli
- 1 x Klucz 10 mm A/F
- 1 x Klucz imbusowy 3 mm A/F
- 1 x Zestaw śrub mocujących frezarki
- 1 x Instrukcja

OPIS CZĘŚCI

- A.** Nogi
- B.** Wstawka
- C.** Błat
- D.** Prowadnica tylna
- E.** Bok przewodnicy
- F.** Docisk górny
- G.** Osłona górna
- H.** Trzpień prowadzący
- I.** Prowadnica kątovej
- J.** Przełącznik
- K.** Popychacz
- L.** Pierścienie wstawki
- M.** Przyrmiary nablatowe
- N.** Docisk boczny
- O.** Odciąg pyłu
- P.** Podpory montażowe stołu
- Q.** Uchwyt trzpienia prowadzącego
- R.** Klucz
- S.** Klucz imbusowy 3 mm AF
- T.** Pręt do strugania krawędzi
- U.** Zespół mocujący pręta do strugania krawędzi
- V.** Przyrmiar przewodnicy tylnej
- W.** Uchwyty do prowadzenia kabli
- X.** Długie szyny nogi
- Y.** Krótkie szyny nogi
- Z.** Zestaw śrubowy mocujących frezarkę

WYMAGANE ELEMENTY

- Wkrętak Phillips® nr 2
- Frezarka.
- Narzędzia ręczne.
- Stanowisko przygotowane przez użytkownika.
- Klucz 8 mm A/F do przewodnicy kątovej.
- Śrubokręt płaski do trzpienia prowadzącego.

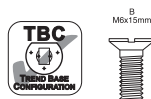
MONTAŻ

Montaż stołu i ramy nogi – (Fig. 2)

Montaż nogi – (Fig. 3)

Montaż blatu – (Fig. 4)

Pasujące frezarki



Marka	Model	Śruba x ilość
TREND	T3, T4, T5	B X 2
TREND	T10, T11, T12, T14	B X 3
CMT	CMT1E	B X 3
DEWALT	DW613, 614, 615	B X 2
DEWALT	DW624, 625E, DWE625, 627	B X 3
ELU	MOF96(E) MK2	B X 2
ELU	MOF131, 177 (E) MK2	B X 3
PERLES	OF808(E) > 1999	B X 2

Montaż frezarki na wstawce – (Fig. 5)


Mocowanie stołu do stołu warsztatowego lub stanowiska – (Fig. 6 i 6a)

Stół frezarki można zamontować na odpowiednim stole warsztatowym lub stanowisku. Upewnij się, że nogi stołu są podparte i nie zwisają.

Zalecana wysokość robocza wynosi 900 mm od blatu do posadzki.

Montaż przełącznika bezpotencjałowego – (Fig. 7 i 7a)

Przełącznik można ustawić z przodu stołu lub z prawej strony.

 **PRZESTROGA:** Upewnij się, że położenie robocze jest wygodne i że stół jest przymocowany do stołu warsztatowego. Upewnij się, że stół warsztatowy jest stabilny i bezpieczny.

Poziomowanie wstawki – (Fig. 8)

Wstawkę można wypoziomować do blatu stołu, regulując siedem śrub ustalających za pomocą klucza imbusowego.

Mocowanie pierścieni wstawki – (Fig. 9, 9a i 9b)

 **OSTRZEŻENIE:** Zawsze należy upewnić się, że pierścienie wkładki są dokładnie dopasowane do wkładki. Natychmiast wymienić uszkodzone lub luźne pierścienie.

Montaż prowadnicy tylnej – (Fig. 10)

Mocowanie prowadnicy tylnej – (Fig. 10a)

Montaż prowadnicy kątovej – (Fig. 11)

Mocowanie osłony górnej i docisku górnego – (Fig. 12, 12a, 12b, 12c i 12d)

Mocowanie docisku bocznego – (Fig. 13 i 13a)

Mocowanie prowadnicy kątovej – (Fig. 14)

Mocowanie uchwytu popychacza – (Fig. 15)


Mocowanie uchwytów do prowadzenia kabli – (Fig. 16)

OBSŁUGA



Przełącznik bezpotencjałowy – (Fig. 17)

- Podłącz maszynę do gniazda.
- Podłączyć wtyczkę przełącznika do zasilania sieciowego.
- Włącz frezarkę.
- Naciśnij zielony przycisk, aby włączyć. Naciśnij czerwony przycisk, aby wyłączyć.

 **OSTRZEŻENIE:** Podczas dokonywania jakichkolwiek regulacji należy odłączyć od zasilania.


Regulacja prowadnicy tylnej – (Fig. 18, 18a i 18b)

- Wyreguluj położenie prowadnicy tylnej poprzez poluzowanie dwóch pokręteł (A) i popchnięcie prowadnicy do przodu lub do tyłu.
- Zablokuj położenie prowadnicy poprzez dokręcenie dwóch pokręteł (A).

Obsługa popychacza – (Fig. 19)

Popychacz został zaprojektowany do użytku ze stołem frezarki i powinien być zawsze używany podczas wykonywania jakichkolwiek cięć o długości mniejszej niż 300 mm lub podczas podawania ostatnich 300 mm dłuższego elementu. Końcówka ma kąt 90° i powinna znajdować się pod kątem od 20° do 30° względem przedmiotu obrabianego, aby popychacz był dopasowany do wzrostu obsługującego.

 **PRZESTROGA:** Nie należy używać popychacza jako dźwigni ani do zastosowań innych niż przewidziane.

 **PRZESTROGA:** Wszelkie modyfikacje lub ingerencje w popychacz stanowią zaprzeczenie zgodności z obowiązującymi wymaganiami bezpieczeństwa.

Obrabianie krawędzi i frezowanie rowków – (Fig. 20)

- Odłącz od źródła zasilania.
- Zamontuj frez.
- Ustaw położenie prowadnicy tylnej.

- Ustaw dociski górne i boczne.
- Zamocuj osłonę.
- Sprawdź, czy wszystkie pokręta są dokręcone.
- Podłącz zasilanie.
- Włącz.
- Podawaj od prawej do lewej
- Wyłącz.

Kierunek podawania – (Fig. 21, 21a i 21b)

- Należy zawsze pracować ze stałą średnią prędkością. Zbyt wolne podawanie powoduje powstanie śladów przypalenia i nadmierne nagrzewanie się frezarki.
- Dobre wyniki uzyskuje się poprzez usuwanie niewielkich ilości materiału w kilku przejściach.
- Zawsze podawaj materiał w przeciwnym kierunku do kierunku obrotu noża frezarki.

Formowanie z zatrzymaniem

– (Fig. 22, 22a i 22b)

- Odłącz od źródła zasilania.
- Zamontuj frez.
- Ustaw położenie prowadnicy tylnej.
- Za pomocą uchwytów zamocuj kilka ograniczników do tylnej prowadnicy.
- Zamocuj osłonę.
- Sprawdź, czy wszystkie pokręta są dokręcone.
- Podłącz zasilanie.
- Włącz.
- Opuść materiał do ogranicznika podawania A i obróć na frez.
- Podawaj od prawej do lewej, aż do osiągnięcia ogranicznika zewnętrznego B.
- Obróć na ograniczniku wewnętrznym.
- Wyłącz.

Prowadnica kątowna – (Fig. 23)

- Odłącz od źródła zasilania.
- Zamontuj frez.
- Ustaw kąt prowadnicy kątownej, luzując pokrętko i obracając głowicę kątomierza w celu ustawienia wymaganego kąta ze strzałką.
- Umieść element na prowadnicy kątownej.
- Podłącz zasilanie.
- Podawaj od prawej do lewej, trzymając bezpiecznie element.
- Wyłącz



UWAGA: Prowadnica kątowna posiada otwory montażowe umożliwiające zamocowanie bloku dwojącego za pomocą śrub (niedostarczanych).

Trzpień prowadzący – (Fig. 24, 24a, 24b i 24c)

- Odłącz od źródła zasilania.
- Załóż trzpień prowadzący do gwintowanego otworu za pomocą wkrętaka płaskiego.
- Przesunąć tylną prowadnicę do tyłu.
- Zamontuj frez samoprowadzący.
- Zamontuj górną osłonę.
- Podłącz zasilanie.
- Oprzyj element na trzpieniu prowadzącym i przechyl na frez i prowadnicę łożyska stykowego.
- Obrób element.
- Wyłącz.



OSTRZEŻENIE: Dla klarowności osłona nie została pokazana. Dopilnuj, aby osłona była zamontowana przy używaniu frezu samoprowadzącego.



UWAGA: Trzpień prowadzący można przechowywać w otworze do przechowywania trzpienia w prowadnicy tylnej, jeśli nie jest używany.



Struganie krawędzi – (Fig. 25, 25a, 26 i 26a)

- Pręty można przechowywać w rowkach teowych w górnej części prowadnicy tylnej.
- Pręty mocuje się poprzez dokręcenie pokręteł.
- Po użyciu stołu należy go prawidłowo przechowywać w stanie zmontowanym.



AKCESORIA

Należy stosować wyłącznie oryginalne części zamienne i akcesoria marki Trend.

Przewód i złącze, ozn. CRT/4 – (Fig. 27 i 27a)

Prowadnica tylna jest wyposażona w punkt odciążowy do podłączenia do odpowiednich odciągów podciśnieniowych. Średnica otworu wewnętrznego wynosi 57 mm (2–1/4”).

- Należy stosować wyłącznie odciąg zalecany do stosowania w warsztacie.

KONSERWACJA

Stół frezarki stworzono z myślą o długotrwałej eksploatacji przy minimalnej obsłudze technicznej. Ciągła zadawalająca praca wymaga odpowiedniego obchodzenia się z narzędziem i regularnego czyszczenia.

- Po zużyciu wymień frez.

Czyszczenie

- Należy trzymać rowki w stanie wolnym od trocin. Regularnie czyść stół miękką szmatką.
- Popychacz wykonano z materiału termoplastycznego, który jest odporny na działanie rozpuszczalników, olejów, smarów i wody. Do czyszczenia nie wolno używać stężonych kwasów ani zasad.

Smarowanie

- Stół frezarki nie wymaga dodatkowego smarowania. Nie wolno stosować PTFE w sprayu na plastikowych elementach stołu.

Przechowywanie


- Gdy stół nie jest używany należy go przechowywać w sposób bezpieczny. Zaleca się przykrycie stołu.
- Popychacz posiada otwory do łatwego przechowywania na stole.

OCHRONA ŚRODOWISKA

Surowce poddawać recyklingowi zamiast utylizacji jako odpadów.

Akcesoria i opakowanie rozdzielić w celu odpowiedniego poddania recyklingowi.



 Zbierać osobno. Produktu tego nie wolno utylizować z normalnymi odpadami z gospodarstwa domowego.

Użytkownik domowy

Lokalne przepisy mogą przewidywać oddzielny odbiór produktów elektrycznych z gospodarstwa domowego, w punktach zbiórki odpadów komunalnych lub przez sprzedawcę przy zakupie nowego produktu. Zadzwoń do działu obsługi klienta firmy Trend w celu uzyskania porad dotyczących sposobu utylizacji zbędnych produktów elektrycznych marki Trend w sposób bezpieczny dla środowiska lub odwiedź stronę www.trend-uk.com

Użytkownicy biznesowi

W celu utylizacji zbędnych produktów elektrycznych firmy Trend należy skontaktować się z działem obsługi klienta firmy Trend.

GWARANCJA

Produkt jest objęty gwarancją producenta zgodnie z warunkami na naszej stronie internetowej www.trend-uk.com

ES - CRT/MK3

Estimado cliente:

Gracias por adquirir este producto Trend, que debería ofrecer un rendimiento duradero si se utiliza de acuerdo con estas instrucciones.

 **PRECAUCIÓN:** Lea las instrucciones antes de usar la máquina.

Definiciones: Directrices de seguridad

Las definiciones siguientes describen el nivel de gravedad de cada palabra de advertencia. Lea el manual y preste atención a estos símbolos.

A lo largo de este manual se utilizan los símbolos siguientes:


 **ADVERTENCIA:**

Indica una situación potencialmente peligrosa que, si no se evita, podría provocar la muerte o lesiones graves.

 **PRECAUCIÓN:**

Indica una situación potencialmente peligrosa que, si no se evita, puede provocar lesiones leves o moderadas.

AVISO: Indica una práctica **no relacionada** con **lesiones personales** que, si no se evita, puede provocar **daños a la propiedad**.


 Indica riesgo de descarga eléctrica.


 Indica riesgo de incendio.

Símbolos adicionales



Use equipo de protección personal (EPP). Se debe usar protección para los oídos, los ojos y las vías respiratorias.

 Indica riesgo de lesiones, peligro mortal o daños en la herramienta en caso de incumplimiento de las instrucciones de este manual.

 Consulte el manual de instrucciones de su herramienta eléctrica

MESA DE FRESADO CRT/MK3

DATOS TÉCNICOS

Tensión	Europa	V Ac	230
Interruptor encendido/apagado			Liberación sin tensión
Dimensiones	Anchura x profundidad	mm	610 x 405
Altura de la mesa		mm	410
Diámetro máximo de la fresa Altura máxima de la fresa		mm mm	80 50
Pérdida de profundidad de corte debido a la mesa Espesor		mm	6.35
Altura máxima de la pieza de trabajo		mm	60
Longitud máxima de la pieza de trabajo.*		mm	590
Peso		kg	13.6

* A menos que se utilice un soporte para piezas de trabajo.

Fusible		
Europa	230v Herramientas	16 Amperios, en red

USO PREVISTO

La unidad está concebida para poder usar una fresadora portátil en modo fijo para cortar madera o materiales a base de madera si se instala una fresa adecuada.

No está concebida para un funcionamiento continuo o para su uso en una línea de producción.

Esta mesa de fresado es un producto para uso profesional.

NO lo use en condiciones de humedad o en presencia de líquidos o gases inflamables.

NO permita que los niños entren en contacto con este aparato. Se requiere supervisión a los operarios que utilicen este aparato sin tener experiencia.

Este producto no está diseñado para que lo usen personas (incluidos niños) con discapacidades físicas, sensoriales o mentales, falta de experiencia, conocimientos o habilidades, a menos que estén supervisados por una persona responsable de su seguridad. Los niños nunca deben quedarse solos con este producto.



**EN 60745-1:2009 + A11:2010 Anexo M
y EN 60745-2-17:2010 Anexo M**

Seguridad de los puestos de trabajo donde se emplean herramientas eléctricas manuales accionadas por motor.

El Anexo M se aplica a los puestos de trabajo (mesa de fresado) con o sin suministro de red, y destinados a ser utilizados en combinación con herramientas eléctricas manuales, pero no destinados a la producción continua o al uso en una línea de producción.

NORMAS GENERALES DE SEGURIDAD DEL PUESTO DE TRABAJO (MESA DE FRESADO)



ADVERTENCIA Lea todas las instrucciones. Si no se siguen todas las instrucciones indicadas a continuación, pueden producirse descargas eléctricas, incendios o lesiones graves. El término "fresadora" presente en las advertencias que se indican a continuación hace referencia a su herramienta eléctrica de fresado que funciona con la red eléctrica (con cable) o a su herramienta eléctrica de fresado que funciona con batería (inalámbrica).

Observe las normas de seguridad en el manual de instrucciones de la herramienta eléctrica de fresado que va a utilizar.

GUARDE ESTAS INSTRUCCIONES

1. Seguridad general de la mesa de fresado (Anexo M)

a) Desconecte el enchufe de la fuente de alimentación antes de realizar cualquier ajuste o cambiar accesorios. El arranque accidental de la fresadora puede provocar accidentes.

b) Monte correctamente la mesa de fresado antes de montar la fresadora. El montaje adecuado es importante para evitar el riesgo de que la máquina se colapse.

c) Sujete firmemente la mesa de fresado antes de usarla. Si la fresadora se desliza por la mesa de fresado puede quedar fuera de control.

d) Coloque la mesa de fresado sobre una superficie sólida, plana y nivelada. Si la mesa de fresado puede moverse o balancearse, la fresadora o la pieza de trabajo no podrán controlarse de manera constante o segura.

e) No sobrecargue la mesa de fresado ni la use como escalera o andamio. Sobrecargar o subirse a la mesa de fresado hace que esta soporte demasiado peso y es probable que se vuelque.

f) La mesa de fresado está pensada para utilizarse únicamente con las fresadoras que se indican en el manual. La mesa de fresado no debe usarse con ninguna otra herramienta eléctrica. La instalación de una herramienta no diseñada para una mesa de fresado puede causar lesiones.

g) Inserción de anillos. Utilice los anillos de mesa adecuados al tamaño de la fresa.

h) Lleve siempre puesto el equipo de protección personal adecuado. Incluye protección auditiva para reducir el riesgo de

pérdida de audición inducida; protección respiratoria para reducir el riesgo de inhalación de polvo nocivo; guantes para evitar posibles lesiones al manipular la fresa y el material irregular debido a los bordes afilados; gafas de seguridad para evitar lesiones en los ojos causadas por partículas volátiles;

i) Posible contacto de la fresa con la mano y los dedos del operario. Asegúrese de que se haya instalado y ajustado la protección correcta para evitar el acceso a las partes de la fresadora que no se están utilizando;

j) Posible retroceso, una reacción rápida inesperada al guiado incontrolado de piezas pequeñas en dirección opuesta al movimiento de avance. Utilice dispositivos de presión horizontal cuando trabaje con piezas estrechas para garantizar un trabajo seguro;

k) Situación de peligro por elevación incontrolada de la pieza de trabajo.

l) Al realizar trabajos en curva, es necesario guiar la pieza de trabajo de forma correcta para evitar lesiones por corte. Use un perno guía, presión superior y sistema de protección para garantizar un funcionamiento seguro.

m) El uso incorrecto de las fresadoras, las piezas de trabajo y los dispositivos de guía puede provocar una situación peligrosa. Asegúrese de que el operario manipule la pieza de trabajo correctamente. El operario debe usar, ajustar y manejar correctamente las abrazaderas de la pieza de trabajo y los dispositivos de guía. El operario debe asegurarse de seleccionar la herramienta correcta.

n) Las herramientas sin mantenimiento pueden provocar situaciones descontroladas. Las herramientas de corte deben estar afiladas, en buen estado e instaladas de acuerdo con las instrucciones del fabricante de la herramienta;

o) Posible contacto con partes móviles. Apague la máquina y desconecte el enchufe cuando realice cambios o ajustes.

p) Mantenga las manos alejadas durante el trabajo en línea recta. Utilice siempre que sea posible un dispositivo de presión junto con la guía.

q) La falta de topes puede provocar retroceso. Fije topes traseros y/o delanteros a la guía cuando realice trabajos en parada.

r) Montaje de la fresadora. Monte y asegure correctamente la fresadora manual a la mesa de fresado.

s) Posible error de posición de la herramienta: Ajuste correctamente la herramienta de corte a la máquina y haga avanzar la pieza de trabajo en dirección opuesta a la rotación del husillo.

t) Velocidad de corte. Seleccione la velocidad correcta correspondiente a la herramienta y al material que se

está utilizando.

u) Ajuste incorrecto de las guías. El ajuste de las guías debe realizarse acorde a cada trabajo. Se puede colocar una guía falsa y fijarla a los soportes de la guía para minimizar así el espacio entre la herramienta de corte y la placa de la guía.

v) Tamaño de la pieza de trabajo. Consulte la sección de datos técnicos del manual de la mesa para conocer las dimensiones de la pieza de trabajo para las que está diseñado el puesto de trabajo. Para longitudes mayores se requiere instalar un soporte para la pieza de trabajo.

w) Diámetro máximo de la fresa. Consulte la sección de datos técnicos del manual de la mesa de fresado para conocer el diámetro máximo de la fresa recomendada para el que se recomienda el puesto de trabajo.

x) Al trabajar madera. Utilice el tamaño correcto de la boquilla colectora de polvo y la manguera para adaptarse a la abertura de la boquilla colectora de polvo de la guía trasera.

2. Área de trabajo

a) Mantenga el área de trabajo limpia y bien iluminada. Las áreas desordenadas y oscuras propician los accidentes.

b) No utilice la fresadora ni la mesa de fresado en entornos explosivos, como en presencia de líquidos, gases o polvo inflamables. El interruptor de la fresadora y de la mesa de fresado generan chispas que pueden inflamar el polvo o los humos.

c) Mantenga a los niños y a los presentes alejados mientras utiliza herramientas eléctricas. Las distracciones pueden hacer que pierda el control.

3. Seguridad eléctrica

a) Los enchufes de la fresadora y de la mesa de fresado deben coincidir con el tomacorriente. No modifique nunca el enchufe bajo ningún concepto. No utilice adaptadores con herramientas eléctricas conectadas a tierra. El uso de enchufes no modificados y de tomacorrientes adecuados a los mismos reduce el riesgo de descarga eléctrica.

b) Evite el contacto del cuerpo con superficies con conexión a tierra como tuberías, radiadores, estufas y refrigeradores. Existe un mayor riesgo de descarga eléctrica si su cuerpo está conectado a tierra.

c) No esponga la fresadora ni la mesa de fresado a la lluvia ni a la humedad. Si entra agua en el interruptor de una fresadora o mesa de fresado, aumentará el riesgo de descarga eléctrica.

d) No haga un mal uso del cable. No use nunca el cable para transportar, tirar o desenchufar la fresadora y el interruptor de la mesa de fresado. Mantenga el cable lejos del calor, aceite, bordes afilados o piezas móviles. Los cables dañados o enredados aumentan el riesgo de descarga eléctrica.

e) Si utiliza una fresadora y una mesa de fresado en el exterior, use un cable de extensión adecuado para uso en exteriores. El uso de un cable adecuado para uso en exteriores reduce el riesgo de descarga eléctrica.

4. Seguridad personal

a) Manténgase alerta, esté atento a lo que hace y use el sentido común cuando emplee una fresadora y una mesa de fresado. No las use si está cansado o bajo la influencia de drogas, alcohol o medicamentos. Una distracción de tan solo unos segundos mientras trabaja con la fresadora y la mesa de fresado puede provocar lesiones personales graves.

b) Use equipo de seguridad. Utilice siempre protección para los ojos. Los equipos de seguridad, como máscara antipolvo, calzado de seguridad antideslizante, casco o protección auditiva, utilizados en condiciones adecuadas, reducen las lesiones personales.

c) Evite el arranque accidental de la máquina. Asegúrese de que el interruptor está en la posición de apagado antes de enchufarlo. Trasladar la fresadora con el dedo puesto en el interruptor o enchufarla con el interruptor en posición de encendido propicia los accidentes.

d) Retire las llaves de ajuste o llaves inglesas antes de encender la fresadora y la mesa de fresado. Si deja una llave de ajuste o inglesa en una pieza giratoria de la fresadora, pueden producirse lesiones personales.

e) No se incline en exceso. Mantenga la postura y el equilibrio en todo momento. Esto permite un mejor control de la pieza de trabajo en situaciones inesperadas.

f) Vístase adecuadamente. No lleve ropa suelta ni joyas. Mantenga el pelo, la ropa y los guantes lejos de las piezas móviles. La ropa suelta, las joyas o el pelo largo pueden quedar atrapados en las piezas móviles.

g) Conecte la mesa de fresado a dispositivos de extracción de polvo. El uso de estos dispositivos puede reducir los peligros relacionados con el polvo.

5. Uso y cuidado de la fresadora y de la mesa de fresado

a) No fuerce la fresadora. Utilice la fresa adecuada para la aplicación que vaya a realizar. La fresadora rendirá mejor y con más seguridad el trabajo para el que fue diseñada.

b) No use la fresadora o la mesa de fresado si el interruptor no enciende ni apaga. Si la fresadora no se puede controlar a través del interruptor, usarla es peligroso y debe repararse.

c) Desconecte el enchufe de la fuente de alimentación antes de realizar ajustes, cambiar accesorios o reparar la fresadora y la mesa de fresado. Estas medidas preventivas de seguridad reducen el riesgo si la herramienta eléctrica se pone en marcha accidentalmente.

d) Guarde las fresadoras y las mesas de fresado que no estén en uso fuera del alcance de los niños y no permita que personas que no estén familiarizadas con ellas ni con estas instrucciones utilicen la herramienta. Las fresadoras y las mesas de fresado son peligrosas en manos de usuarios no capacitados.

e) Mantenimiento de la fresadora y la mesa de fresado. Compruebe si las piezas móviles están desalineadas o

atascadas, si presentan roturas y cualquier otra condición que pueda afectar el funcionamiento de las herramientas. Si están dañadas, lleve a reparar la fresadora o la mesa de fresado antes de usarla. Muchos accidentes se producen por un mantenimiento incorrecto de las herramientas eléctricas.

f) Mantenga las herramientas de corte afiladas y limpias. Las herramientas de corte en buen estado y afiladas tienen menos probabilidades de atascarse y son más fáciles de controlar.

g) Utilice la fresadora, la mesa de fresado, los accesorios y las brocas, etc., de acuerdo con estas instrucciones y de la manera prevista para el tipo particular de fresadora, teniendo en cuenta las condiciones de trabajo y el trabajo a realizar. El uso de la fresadora o de la mesa de fresado para tareas diferentes a las previstas podría dar lugar a una situación peligrosa.



SEGURIDAD ELÉCTRICA

Fuente de alimentación



ADVERTENCIA: Antes de realizar cualquier trabajo de mantenimiento, desconecte el enchufe de la fuente de alimentación.

Uso de un cable de extensión

- Si se requiere un cable de extensión, use uno de triple núcleo que esté homologado y sea adecuado para la entrada de energía de esta herramienta (consulte la ficha técnica). El tamaño mínimo del conductor es de 1,5 mm².
- Si utiliza cable en carrete, desenrolle siempre el cable por completo.
- Consulte también la siguiente tabla.

Tamaño del conductor (mm ²)	Amperaje del cable
0.75	6
1.00	10
1.50	15
2.50	20
4.00	25
Longitud del cable (m)	
	7.5 15 25 30 45 60

Tensión	Amperios	Amperaje del cable					
		6	6	6	6	6	6
230	0 – 2.0	6	6	6	6	6	6
	2.1 – 3.4	6	6	6	6	6	6
	3.5 – 5.0	6	6	6	6	10	15
	5.1 – 7.0	10	10	10	10	15	15
	7.1 – 12.0	15	15	15	15	20	20
	12.1 – 20.0	20	20	20	20	25	-

RIESGOS RESIDUALES

A pesar de la aplicación de las normas de seguridad pertinentes y la implementación de dispositivos de seguridad, no se pueden evitar ciertos riesgos residuales.

Son los siguientes:

- Deterioro de la audición.
- Riesgo de lesiones personales por partículas volátiles.
- Riesgo de quemaduras por calentamiento de los accesorios durante el funcionamiento.
- Riesgo de lesiones personales debido al uso prolongado.

SÍMBOLOS DE LA MESA

En la herramienta se muestran las imágenes siguientes.



Lea el manual de instrucciones antes del uso.

Fecha Código Posición

El año de fabricación se encuentra en una etiqueta junto a la placa de características.

ARTÍCULOS ADJUNTOS

- 1 x Tablero de mesa
- 4 x Patas y tornillos de fijación
- 4 x Rieles para las patas
- 1 x Guía trasera y escala
- 2 x Soportes de guía
- 4 x Perillas para los soportes de guía
- 1 x Conjunto de protección superior, presión superior y perilla de fijación
- 1 x Boquilla antipolvo y tornillos de fijación
- 2 x Perillas y pernos de fijación de la guía trasera
- 1 x Conjunto de presión lateral y perilla de fijación
- 2 x Varillas de cepillado de cantos
- 2 x Perillas de bloqueo de varilla de cepillado de cantos
- 16 x Tornillos y tuercas de fijación del riel de las patas
- 1 x Placa de inserción y tornillos de fijación

- 1 x Interruptor de liberación sin tensión y tornillos de fijación
- 1 x Conjunto de guía de ingletes
- 6 x Anillos de inserción
- 1 x Perno guía
- 1 x Conjunto de pernos para el empujador e inserto del empujador
- 2 x Escalas de tablero de mesa (instaladas)
- 4 x Soportes y tornillos de soporte del banco
- 2 x Clips y tornillos para la gestión de cables
- 1 x Llave inglesa de 10 mm A/F
- 1 x Llave hexagonal de 3 mm A/F
- 1 x Pack de tornillos de fijación para la fresadora
- 1 x Manual de instrucciones.

DESCRIPCIÓN DE LAS PIEZAS

- A.** Patas
- B.** Placa de inserción
- C.** Tablero de mesa
- D.** Guía trasera
- E.** Soporte de guía
- F.** Presión superior
- G.** Protección superior
- H.** Perno guía
- I.** Guía de ingletes
- J.** Interruptor
- K.** Empujador
- L.** Anillos de inserción
- M.** Escalas para el tablero de mesa
- N.** Presión lateral
- O.** Boquilla antipolvo
- P.** Soporte para el banco
- Q.** Inserto del perno guía
- R.** Llave inglesa
- S.** Llave hexagonal de 3 mm AF
- T.** Varilla de cepillado de cantos
- U.** Conjunto de bloqueo de varilla de cepillado de cantos
- V.** Escala de la guía trasera
- W.** Clips de gestión de los cables
- X.** Rieles de pata largos
- Y.** Rieles de pata cortos
- Z.** Pack de tornillos de fijación de la fresadora

ARTÍCULOS REQUERIDOS

- Destornillador Phillips® N.º 2
- Fresadora

- Herramientas manuales
- Banco hecho por el usuario
- Llave inglesa de 8 mm A/F para guía de ingletes
- Destornillador ranurado para perno guía

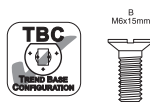
MONTAJE

Montaje de la mesa y el bastidor de patas - (Fig. 2)

Montaje de las patas - (Fig. 3)

Montaje de la parte superior del banco - (Fig. 4)

Compatibilidad de la fresadora



Marca	Modelo	Tornillo x cantidad
TREND	T3, T4, T5	B X 2
TREND	T10, T11, T12, T14	B X 3
CMT	CMT1E	B X 3
DEWALT	DW613, 614, 615	B X 2
DEWALT	DW624, 625E, DWE625, 627	B X 3
ELU	MOF96(E) MK2	B X 2
ELU	MOF131, 177 (E) MK2	B X 3
PERLES	OF808(E) > 1999	B X 2

Montaje de la fresadora en la placa de inserción (Fig. 5)

Montaje de la mesa en el banco de trabajo o tablero de trabajo - (Fig. 6 y 6a)

La mesa de fresado se puede montar en un banco de trabajo o tablero de trabajo adecuado. Asegúrese de que las patas de la mesa estén apoyadas y no sobresalgan.

Se recomienda una altura de trabajo de 900 mm desde la parte superior de la mesa hasta el suelo.

Montaje del interruptor de liberación sin tensión - (Fig. 7 y 7a)

El interruptor se puede colocar en la parte delantera de la mesa o en el lateral derecho.



PRECAUCIÓN: Asegúrese de que la posición de trabajo sea cómoda y que la mesa esté bien fijada a un banco de trabajo. Asegúrese de que el banco de trabajo sea estable y seguro.

Nivelación de la placa de inserción

- (Fig. 8)

La placa de inserción se puede nivelar con la parte superior de la mesa ajustando los siete tornillos de fijación con la llave hexagonal.

Colocación de los anillos de inserción

- (Fig. 9, 9a y 9b)



ADVERTENCIA: Asegúrese siempre de que los anillos de inserción estén bien ajustados en la placa de inserción. Reemplace los anillos dañados o sueltos inmediatamente.

Montaje de la guía trasera - (Fig. 10)

Ajuste de la guía trasera - (Fig. 10a)

Montaje de la guía de ingletes

- (Fig. 11)

Ajuste de la protección superior y la presión superior

- (Fig. 12, 12a, 12b, 12c y 12d)

Ajuste de la presión lateral

- (Fig. 13 y 13a)

Ajuste de la guía de ingletes

- (Fig. 14)

Ajuste del inserto del empujador

- (Fig. 15)

Ajuste de los clips de gestión de cables - (Fig. 16)



FUNCIONAMIENTO



Montaje del interruptor de liberación sin tensión - (Fig. 17)

- Enchufe la máquina en el tomacorriente.
- Conecte la clavija del interruptor a la red eléctrica.
- Encienda la fresadora.

- Pulse el botón verde para encender. Para apagar, pulse el botón rojo.



ADVERTENCIA: Desconecte de la red eléctrica cuando realice cualquier ajuste.

Colocación de la guía trasera

- (Fig. 18, 18a y 18b)

- Ajuste la posición de la guía trasera aflojando las dos perillas (A) y empujando la guía hacia adelante o hacia atrás.
- Bloquee la posición de la guía apretando las dos perillas (A).

Funcionamiento de parada del empujador - (Fig. 19)

El empujador está diseñado para usarlo con una mesa de fresado y siempre debe estar activado cuando se realizan cortes de menos de 300 mm de longitud o al hacer avanzar los últimos 300 mm de un corte más largo. El extremo frontal es de 90° y debe estar inclinado entre 20° y 30° con respecto a la pieza de trabajo para adaptarse a la altura del operario.



PRECAUCIÓN: No utilice el empujador como palanca o para usos distintos a los previstos.



PRECAUCIÓN: El cumplimiento de los requisitos de seguridad de la normativa vigente queda anulado ante cualquier modificación o manipulación del empujador.

Moldeado y ranurado de bordes

- (Fig. 20)

- Desconecte de la fuente de alimentación.
- Ajuste la fresa.
- Ajuste la posición de la guía trasera.
- Ajuste la presión superior y lateral.
- Ajuste el protector.
- Compruebe que todas las perillas están apretadas.
- Enchufe a la fuente de alimentación.
- Encienda.
- Haga avanzar la pieza de derecha a izquierda.
- Apague.

Dirección de avance

- (Fig. 21, 21a y 21b)

- Trabaje siempre a una velocidad media constante. Un avance demasiado lento dará lugar a marcas de

quemaduras y una acumulación excesiva de calor en la fresa.


- Vaya retirando las pequeñas cantidades de material de las distintas pasadas para obtener un buen resultado.
- Haga avanzar siempre la pieza de trabajo en la dirección opuesta a la de rotación de la fresadora.

Moldeado en parad - (Fig. 22, 22a & 22b)

- Desconecte de la fuente de alimentación.
- Ajuste la fresa.
- Ajuste la posición de la guía trasera.
- Ajuste algunos topes en la guía trasera mediante abrazaderas.
- Ajuste el protector.
- Compruebe que todas las perillas están apretadas.
- Enchufe a la fuente de alimentación.
- Encienda.
- Coloque el material contra el tope de avance A y gire hacia la fresa.
- Haga avanzar la pieza hacia la izquierda hasta alcanzar el tope final de salida B.
- Gire en el tope de salida.
- Apague.

Guía de ingletes - (Fig. 23)

- Desconecte de la fuente de alimentación.
- Ajuste la fresa.
- Ajuste el ángulo de la guía de ingletes aflojando la perilla y girando el cabezal del transportador para alinear el ángulo requerido con la flecha.
- Coloque el componente en la guía de ingletes.
- Enchufe a la fuente de alimentación.
- Avance de derecha a izquierda sujetando el componente con firmeza.
- Apague.

 **AVISO:** La guía de ingletes tiene orificios de fijación para permitir que se fije un bloque de separación con tornillos (no incluidos).

Perno guía - (Fig. 24, 24a, 24b y 24c)

- Desconecte de la fuente de alimentación.
- Coloque el perno guía en el orificio roscado con un destornillador plano.
- Mueva la guía trasera hacia atrás.
- Coloque la fresa autoguiada.
- Ajuste el protector superior.
- Enchufe a la fuente de alimentación.

- Apoye el componente en el perno guía y gírelo hacia la fresa y la guía del cojinete de contacto.
- Moldee el componente.
- Apague.



ADVERTENCIA: Protector retirado para mayor claridad. Asegúrese de que el protector esté colocado cuando utilice fresas autoguiadas.



AVISO: Cuando no se usa, el perno guía puede dejarse en el inserto en la guía trasera.

Cepillado de bordes - (Fig. 25, 25a, 26 y 26a)

- Las varillas se pueden insertar en las ranuras en T en la parte superior de la guía trasera.
- Las varillas se sujetan apretando las perillas.
- Después de usar la mesa, guárdela montada y en condiciones adecuadas.



ACCESORIOS

Utilice únicamente repuestos y accesorios originales de Trend.

Manguera y Conector, Ref. CRT/4 - (Fig. 27 y 27a)

La guía trasera está provista de un punto de aspiración para que pueda conectar una aspiradora adecuada. El diámetro del orificio interno es de 57 mm.

- Solo debe utilizarse una aspiradora específica para uso en taller.

MANTENIMIENTO

La mesa de fresado ha sido diseñada para funcionar durante mucho tiempo con un mantenimiento mínimo. El funcionamiento satisfactorio continuo depende del cuidado adecuado de la herramienta y de una limpieza regular.

- Reemplace el inserto de la fresa cuando esté desgastado.

Limpieza

- Mantenga las ranuras limpias de serrín. Limpie la mesa regularmente con un paño suave.
- El empujador está fabricado de material termoplástico resistente a disolventes, aceites, grasas y agua. No utilice ácidos ni alcalinos concentrados para la limpieza.

Lubricación

- La mesa de fresado no requiere lubricación adicional. No utilice spray de teflón (PTFE) en los componentes plásticos de la mesa.

Almacenamiento

- Cuando no se utilice, la mesa debe guardarse de forma segura. Se recomienda cubrir la mesa.
- El empujador está provisto de orificios para guardarlo fácilmente en la mesa.

PROTECCIÓN MEDIOAMBIENTAL



Recicle las materias primas en lugar de desecharlas en la basura doméstica.

Los accesorios y los embalajes deben clasificarse para un reciclaje respetuoso con el medio ambiente.



Recogida selectiva. Este producto no debe desecharse con la basura doméstica normal.

Usuario doméstico

La normativa local puede estipular la recogida selectiva de los productos eléctricos en el hogar, en los vertederos municipales o en el establecimiento minorista cuando se adquiere un producto nuevo. Llame al servicio de atención al cliente de Trend para que le asesoren sobre cómo desechar los productos eléctricos de Trend no deseados de forma segura para el medio ambiente, o visite

www.trend-uk.com

Usuarios empresariales

Llame al servicio de atención al cliente de Trend para desechar los productos eléctricos de Trend no deseados.

GARANTÍA

El producto cuenta con una garantía del fabricante de acuerdo con las condiciones de nuestro sitio web

www.trend-uk.com

**UK UK DECLARATION OF
CA CONFORMITY**

The undersigned, representing the following manufacturer

Manufacturer:

Trend Tool Technology Ltd, Watford, England WD24 7TR declares that the product(s):

Product Identification:

Product: Router Table

Brand: Trend

Model: CRT/MK3

Conforms to the following UK Regulations

- The Supply of Machinery (Safety) Regulations, 2008, S.I. 2008/1597 (as amended).
- The Restriction of the Use of Certain Hazardous Substances in Electrical and Electronic Equipment Regulations 2012, S.I. 2012/3032 (as amended).

and the following Designated Standards:

S.I. 2008/1597: EN 12100:2010

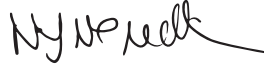
EN 62841-1:2015

EN 62841-2-17:2017

Pushstick is made in compliance with

S.I. 2008/1597: EN 1870-19:2013

The undersigned is responsible for compilation of the technical file and makes this declaration on behalf of Trend Tool Technology Ltd.



Neil McMillan
Technical Director

Trend Tool Technology Ltd
Odhams Trading Estate,
Watford, WD24 7TR,
England

Place of issue: Watford England

Date of issue: 14/07/2022

		
EN	EU - Declaration of Conformity Router Table Product Ref.	We declare under our sole responsibility that the stated products comply with all applicable provisions of the directives and regulations listed below and are in conformity with the following standards. Technical file at: *
DE	EU - Konformitätserklärung Frästisch Sachnummer	Wir erklären in alleiniger Verantwortung, dass die genannten Produkte allen einschlägigen Bestimmungen der nachfolgend aufgeführten Richtlinien und Verordnungen entsprechen und mit folgenden Normen übereinstimmen. Technische Unterlagen bei: *
FR	Déclaration de conformité UE Table pour Défonceuse N° d'article	Nous déclarons sous notre propre responsabilité que les produits décrits sont en conformité avec les directives, règlements normatifs et normes énumérés ci-dessous. Dossier technique auprès de : *
NL	EU - Conformiteitsverklaring Freestafel Productnummer	Wij verklaren op eigen verantwoordelijkheid dat de genoemde producten voldoen aan alle desbetreffende bepalingen van de hierna genoemde richtlijnen en verordeningen en overeenstemmen met de volgende normen Technisch dossier bij: *
SE	EU - Konformitetsförklaring Fräsarbord Produktnummer	Vi förklarar under eget ansvar att de nämnda produkterna uppfyller kraven i alla gällande bestämmelser i de nedan angivna direktiven och förordningarnas och att de stämmer överens med följande normer. Teknisk dokumentation: *

IT	<p>Dichiarazione di conformità UE Tavolo del Router Codice prodotto</p>	<p>Dichiariamo sotto la nostra piena responsabilità che i prodotti indicati sono conformi a tutte le disposizioni pertinenti delle Direttive e dei Regolamenti elencati di seguito, nonché alle seguenti Normative. Documentazione Tecnica presso: *</p>				
PL	<p>Deklaracja zgodności UE Stół Routera Numer katalogowy</p>	<p>Oświadczamy z pełną odpowiedzialnością, że niniejsze produkty odpowiadają wszystkim wymaganiom poniżej wyszczególnionych dyrektyw i rozporządzeń, oraz że są zgodne z następującymi normami. Dokumentacja techniczna: *</p>				
ES	<p>Declaración de conformidad UE Mesa de Enrutador N° de artículo</p>	<p>Declaramos bajo nuestra exclusiva responsabilidad, que los productos nombrados cumplen con todas las disposiciones correspondientes de las Directivas y los Reglamentos mencionados a continuación y están en conformidad con las siguientes normas. Documentos técnicos de: *</p>				
Router Table	CRT/MK3	<table border="0"> <tr> <td data-bbox="516 544 732 612">2006/42/EC 2011/65/EU</td> <td data-bbox="732 544 1049 612">EN 12100:2010 EN 62841-1:2015 EN 62841-2:17:2017</td> </tr> <tr> <td colspan="2" data-bbox="516 612 1049 885"> <p>trend[®] tool technology</p> <p><i>Neil McMillan</i></p> <p>Trend Tool Technology Ltd Unit 6 Odhams Trading Estate, St. Albans Road, Watford, Herts, WD24 7TR, England, United Kingdom Place Watford, England Date of issue: 14/07/2022</p> <p>*Trend Tool Technology Ltd 3rd Floor, Kilmore House, Park Lane, Spencer Dock, Dublin 1, Ireland Neil McMillan Technical Director</p> <p style="text-align: right;">LEAF/CE/DOC/CRTMK3</p> </td> </tr> </table>	2006/42/EC 2011/65/EU	EN 12100:2010 EN 62841-1:2015 EN 62841-2:17:2017	<p>trend[®] tool technology</p> <p><i>Neil McMillan</i></p> <p>Trend Tool Technology Ltd Unit 6 Odhams Trading Estate, St. Albans Road, Watford, Herts, WD24 7TR, England, United Kingdom Place Watford, England Date of issue: 14/07/2022</p> <p>*Trend Tool Technology Ltd 3rd Floor, Kilmore House, Park Lane, Spencer Dock, Dublin 1, Ireland Neil McMillan Technical Director</p> <p style="text-align: right;">LEAF/CE/DOC/CRTMK3</p>	
2006/42/EC 2011/65/EU	EN 12100:2010 EN 62841-1:2015 EN 62841-2:17:2017					
<p>trend[®] tool technology</p> <p><i>Neil McMillan</i></p> <p>Trend Tool Technology Ltd Unit 6 Odhams Trading Estate, St. Albans Road, Watford, Herts, WD24 7TR, England, United Kingdom Place Watford, England Date of issue: 14/07/2022</p> <p>*Trend Tool Technology Ltd 3rd Floor, Kilmore House, Park Lane, Spencer Dock, Dublin 1, Ireland Neil McMillan Technical Director</p> <p style="text-align: right;">LEAF/CE/DOC/CRTMK3</p>						



Trend Tool Technology Ltd.
Watford, WD24 7TR, England
Tel: 0044(0)1923 249911
technical@trendm.co.uk
www.trend-uk.com

EU Importer:
Trend Tool Technology Ltd.
3rd Floor, Kilmore House, Park Lane, Spencer Dock,
Dublin 1, Ireland

© Trend Tool Technology Ltd. 2022.
® All trademarks acknowledged E&OE



No part of this publication may be reproduced, stored or transmitted in any form without prior permission. Our policy of continuous improvement means that specifications may change without notice. Trend Tool Technology Ltd. cannot be held liable for any material rendered unusable, or for any for of consequential loss. E&OE.



MANU/CRTMK3/E v2.0

